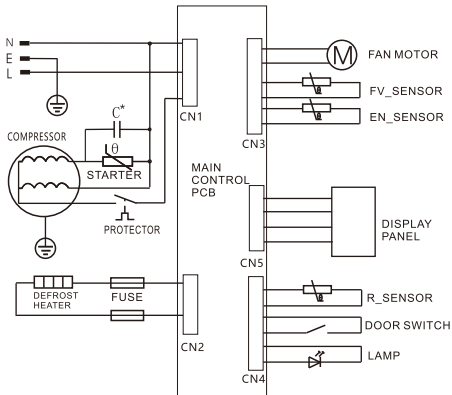


# Circuit Diagram



C\*:The capacitor is optional according to different compressor model