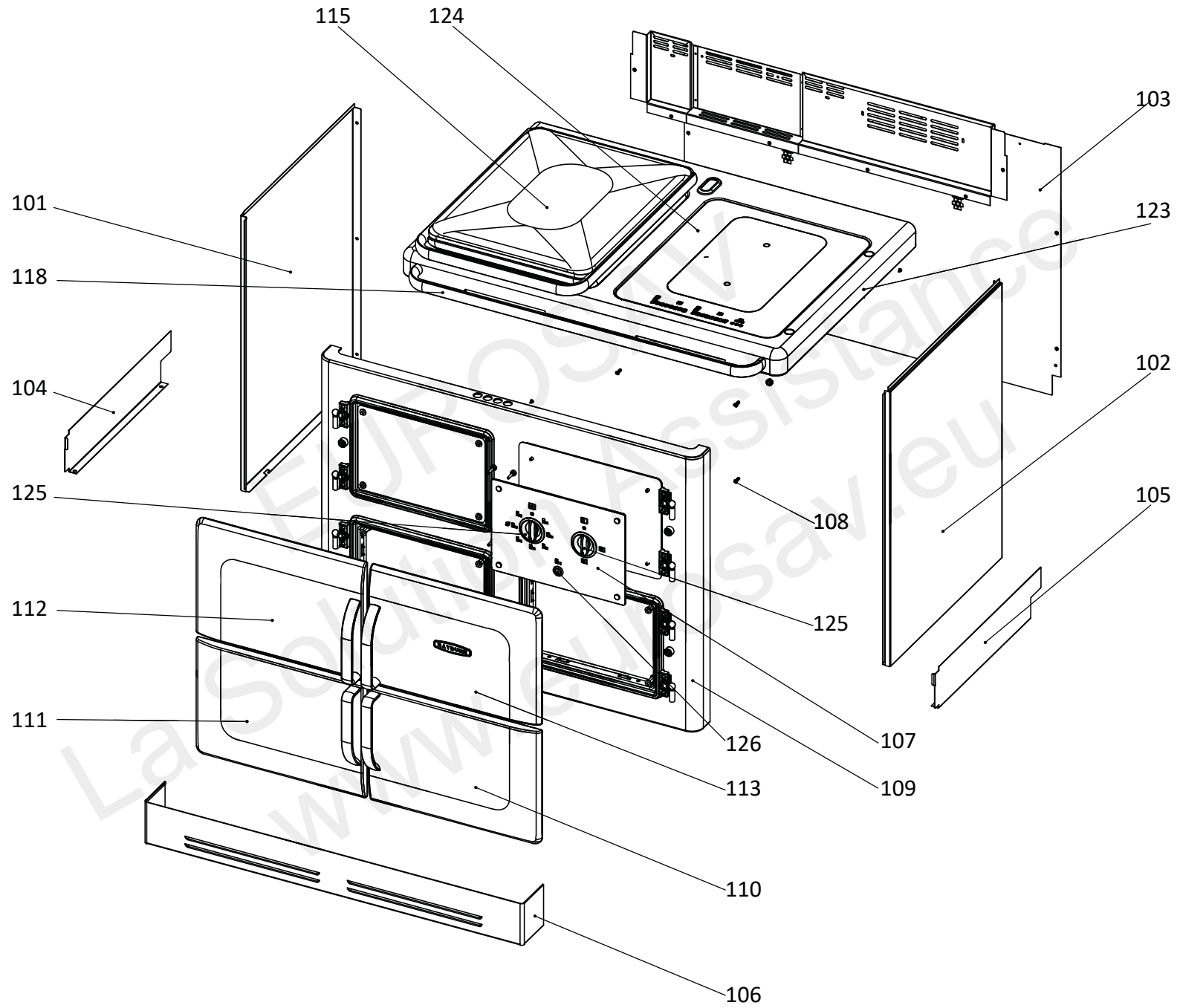


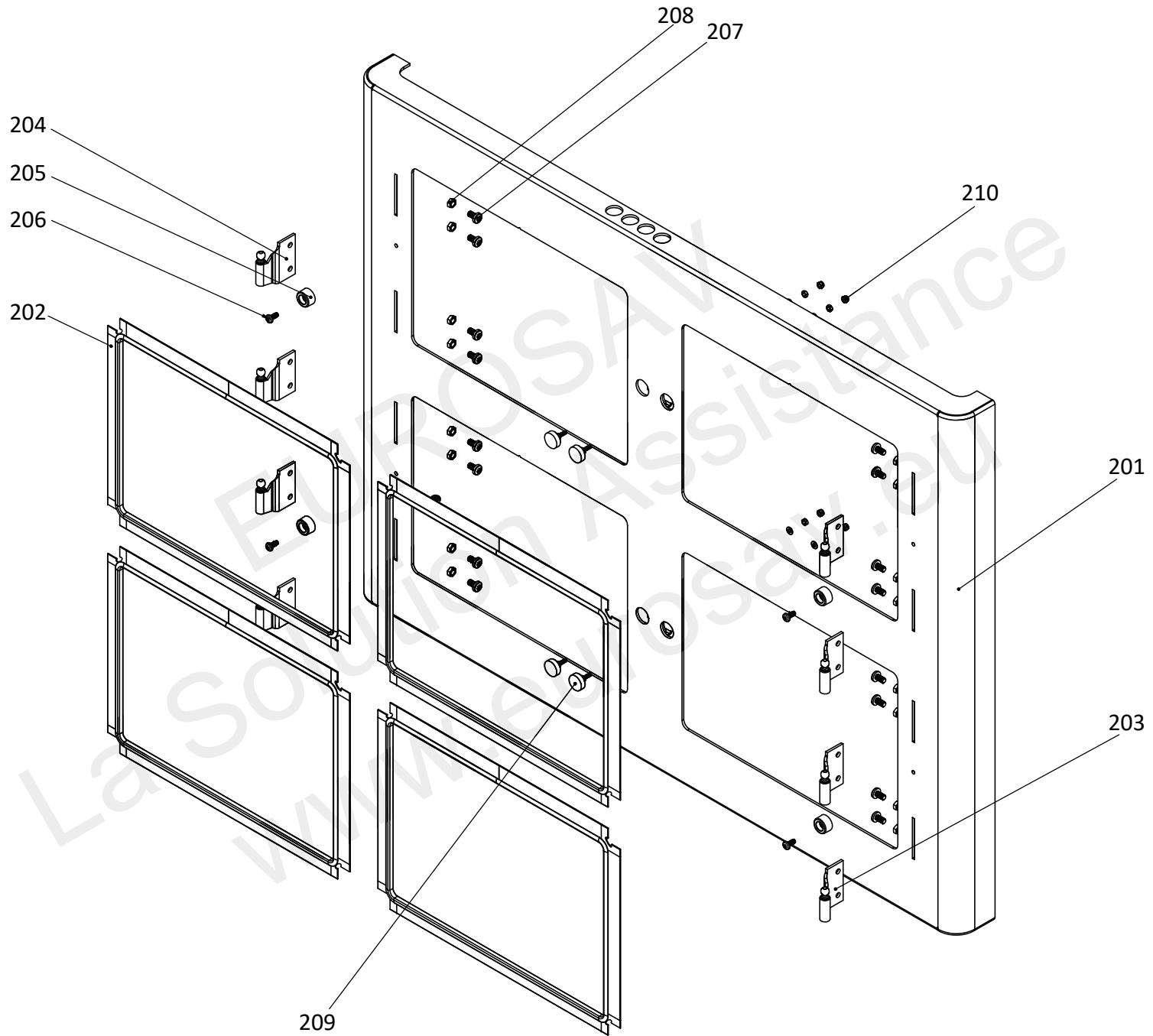
RAYBURN RANGER ASSEMBLY
AE1M232695

SPAR680010 P01



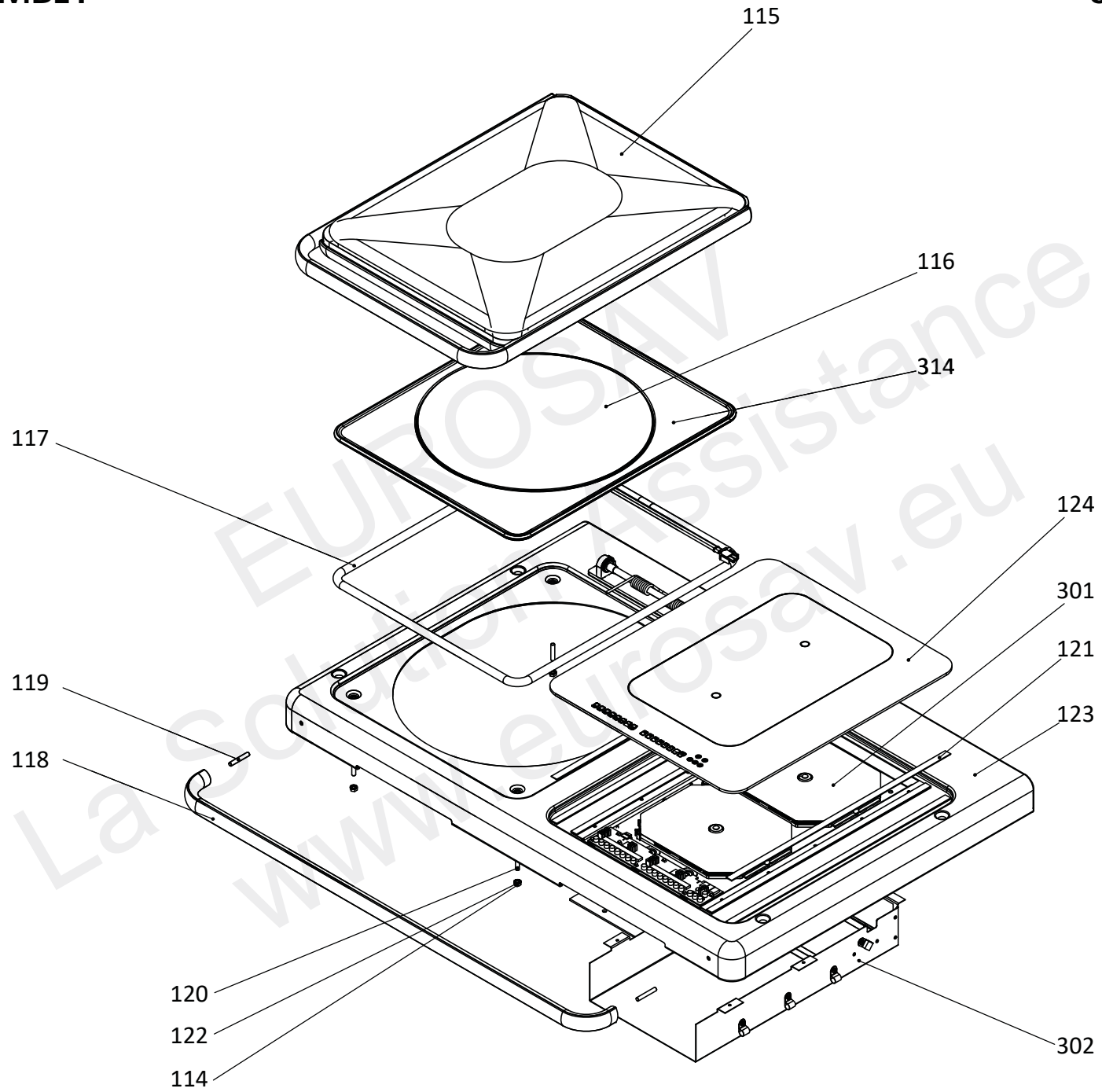
FRONT PLATE ASSEMBLY
AE1M232695

SPAR680010 P02



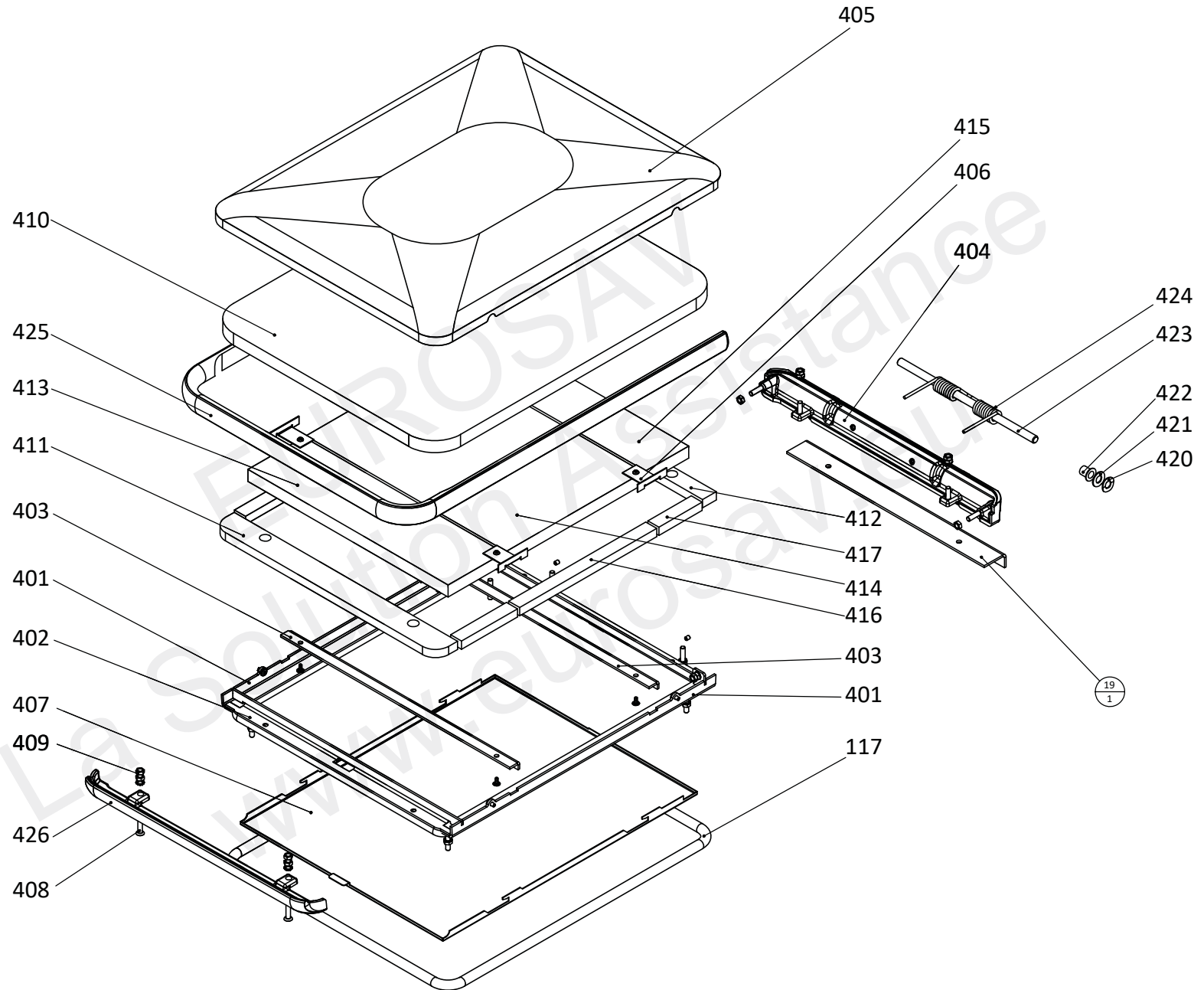
TOP PLATE ASSEMBLY
AE1M232695

SPAR680010 P03



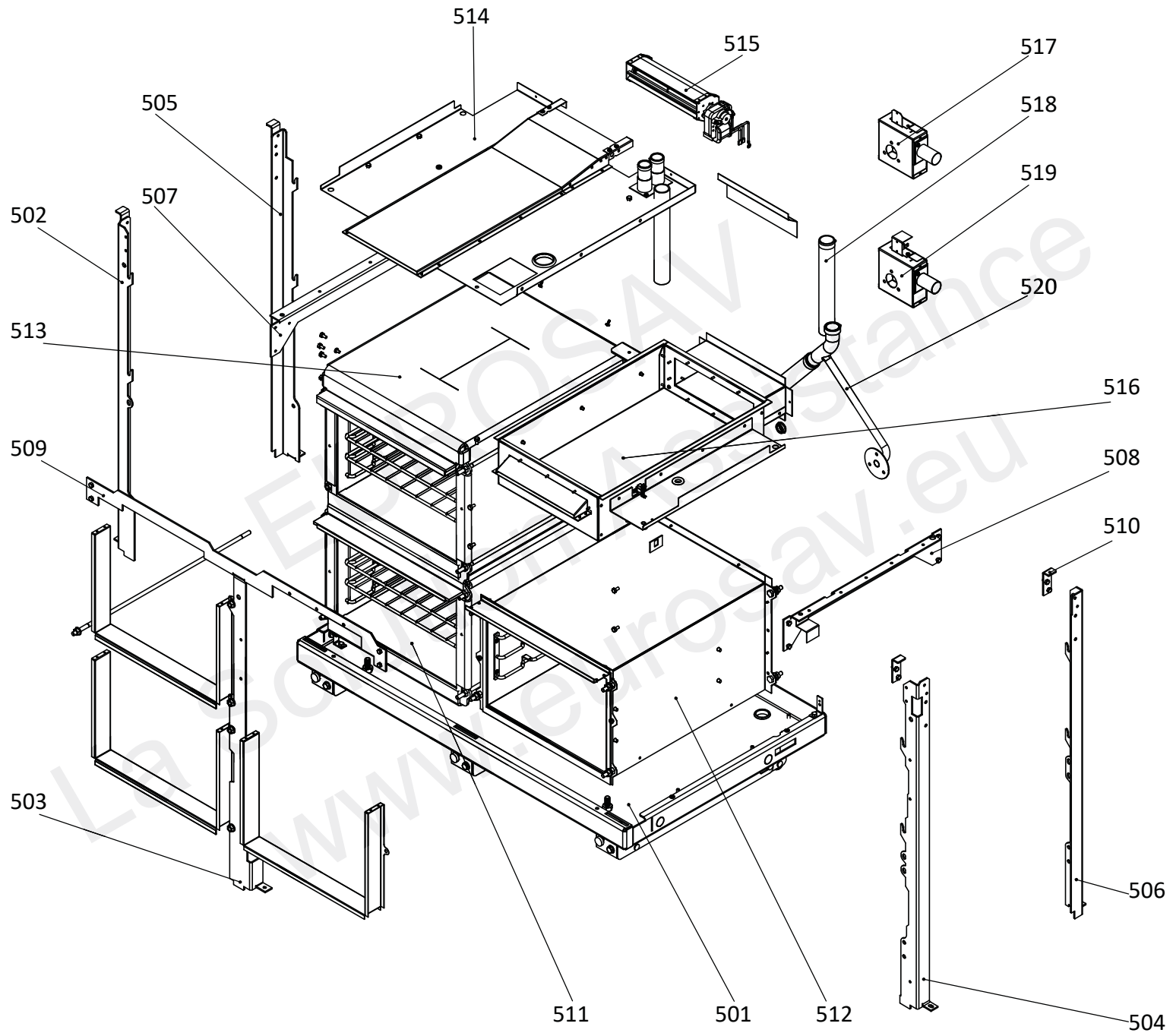
LID ASSEMBLY
AE1M232695

SPAR680010 P04



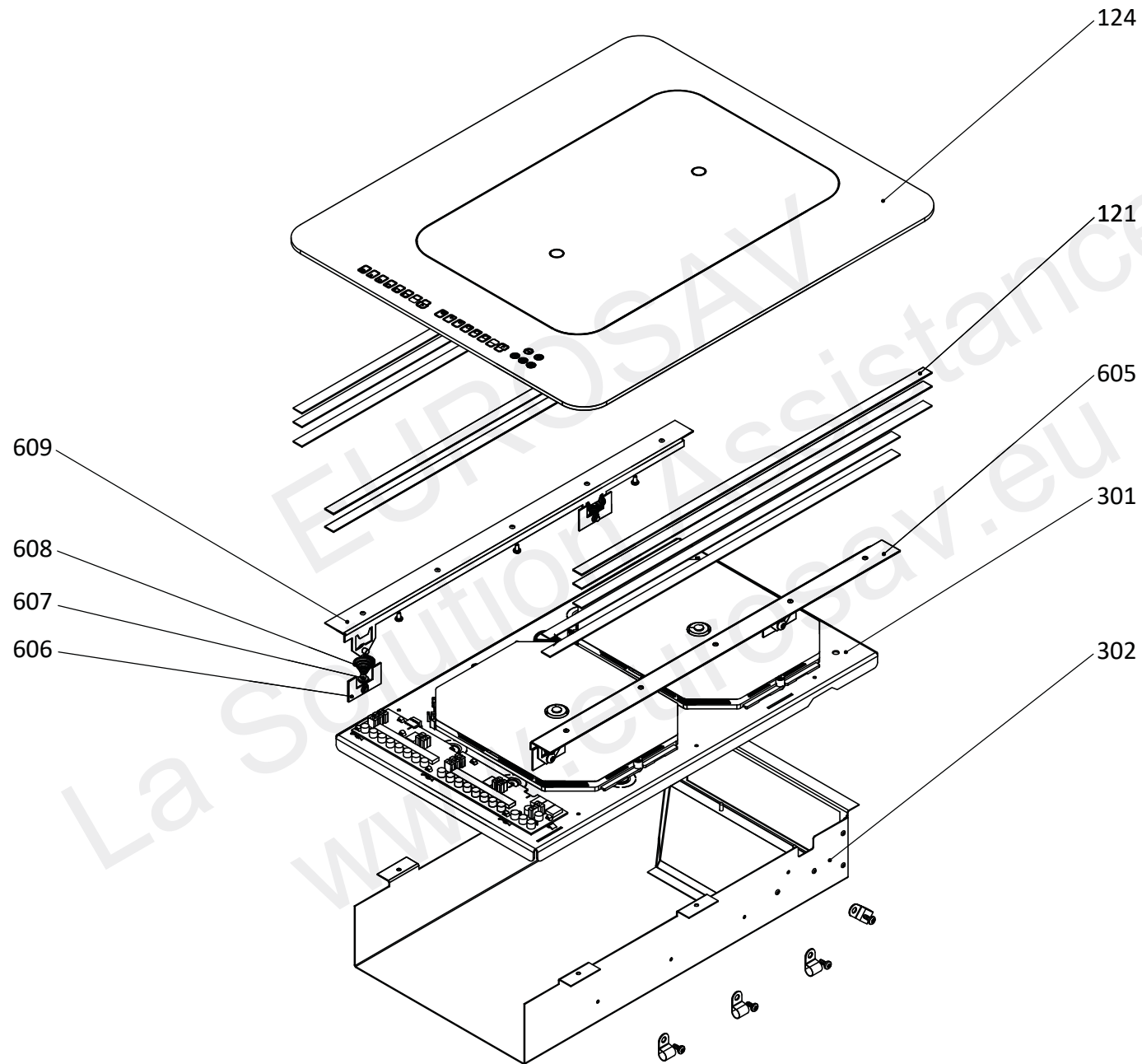
FRAME WORK ASSEMBLY
AE1M232695

SPAR680010 P05



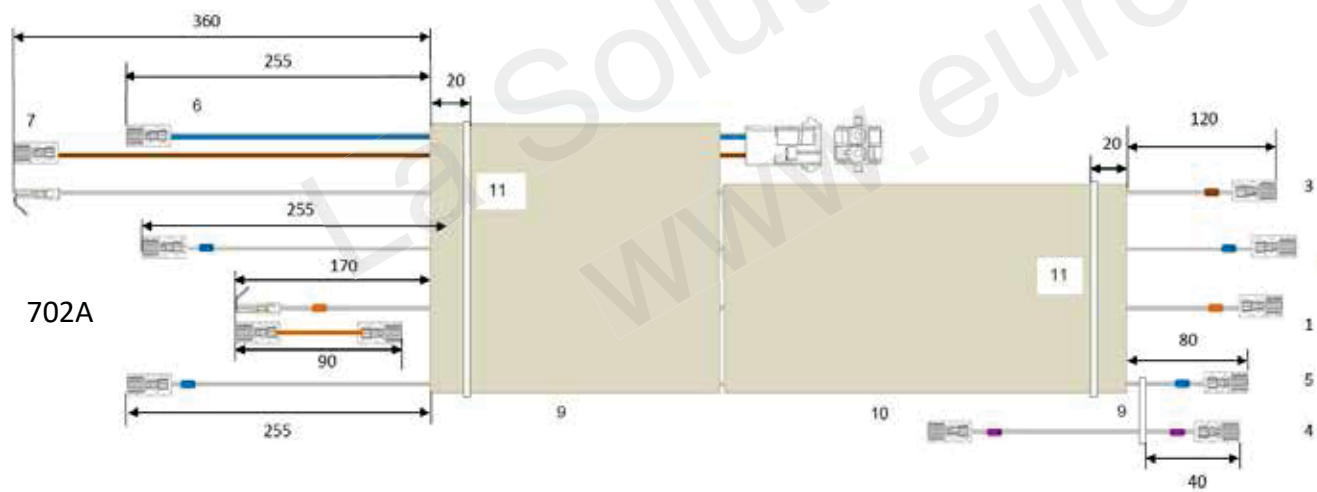
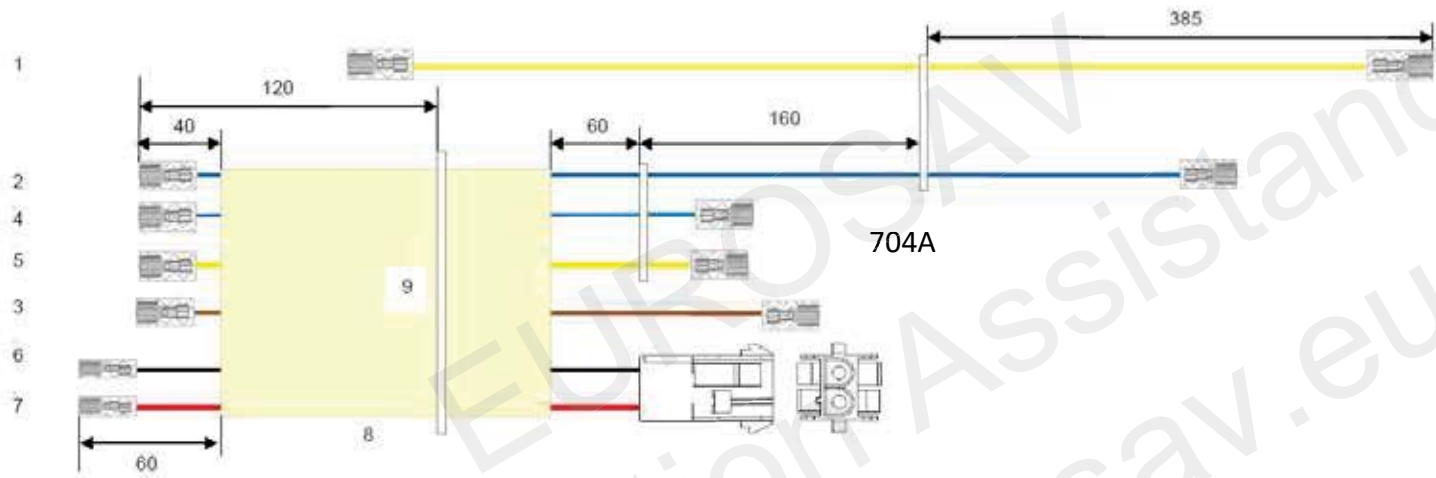
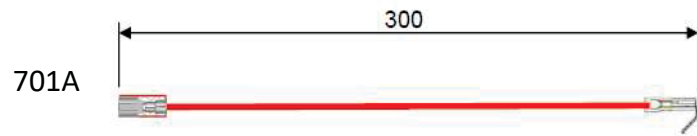
ELECTRICAL CHASSIS & INDUCTION ASSEMBLY
AE1M232695

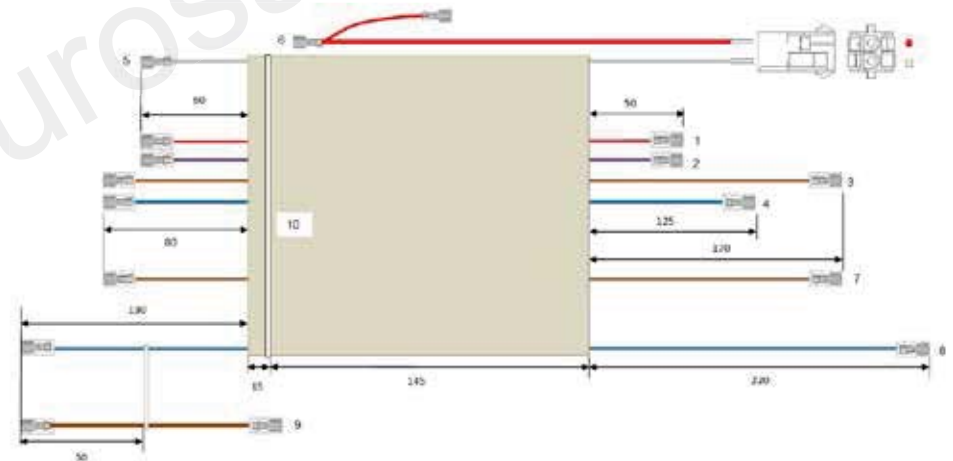
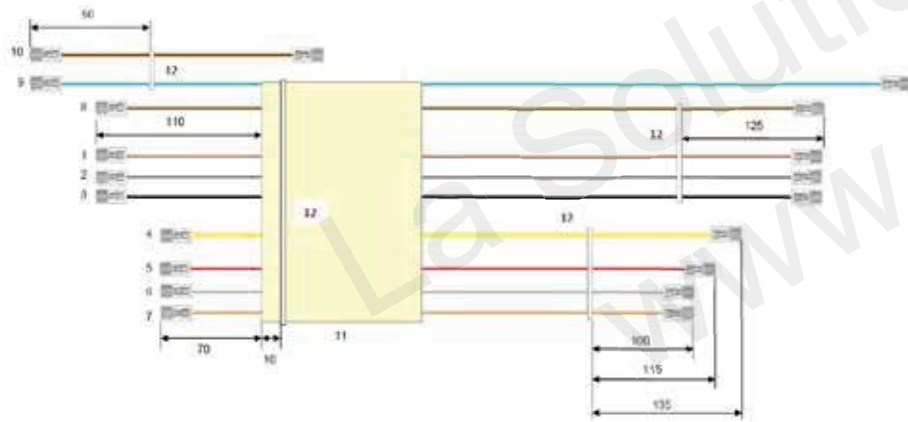
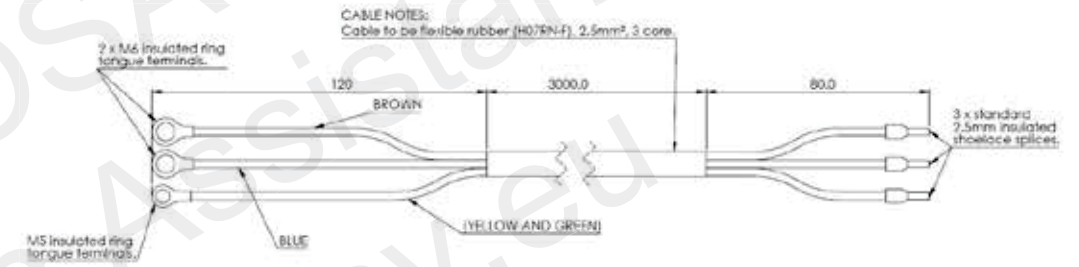
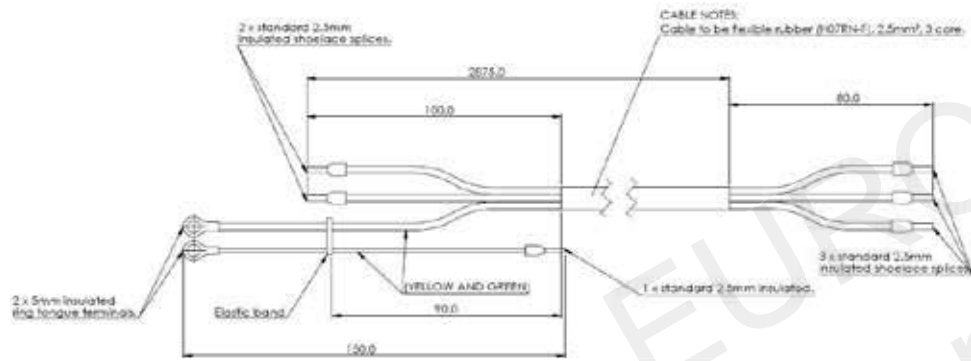
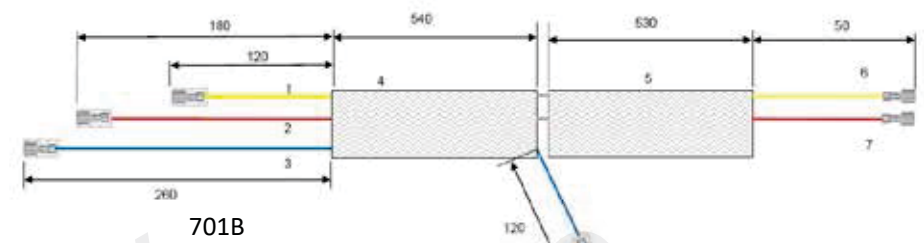
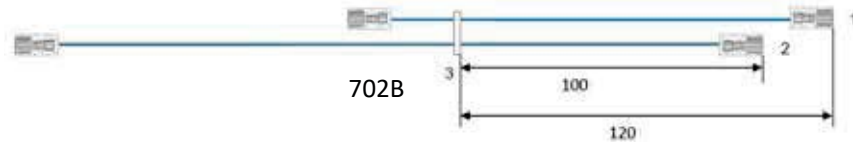
SPAR680010 P06



WIRING

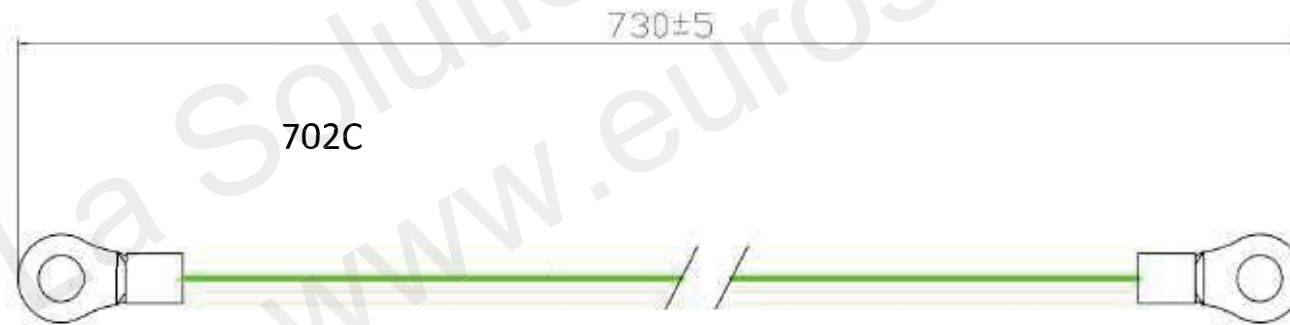
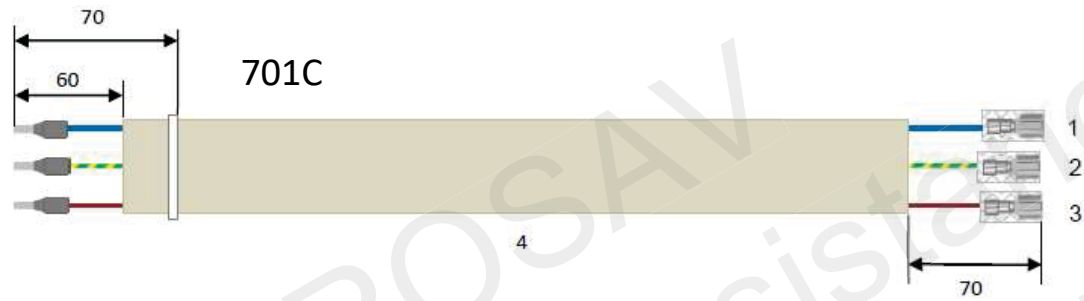
SPAR680010 P07-A





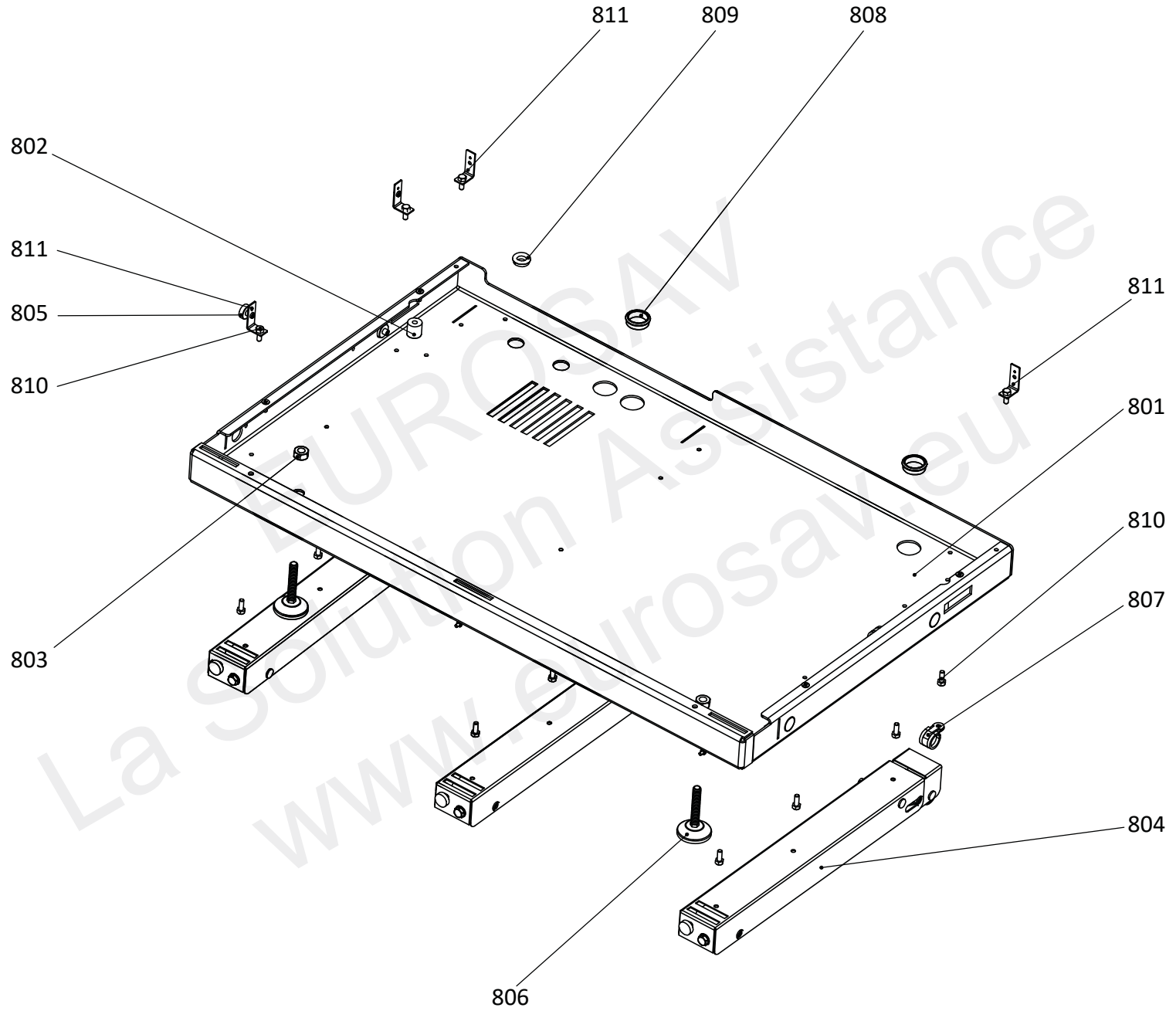
706B

705B



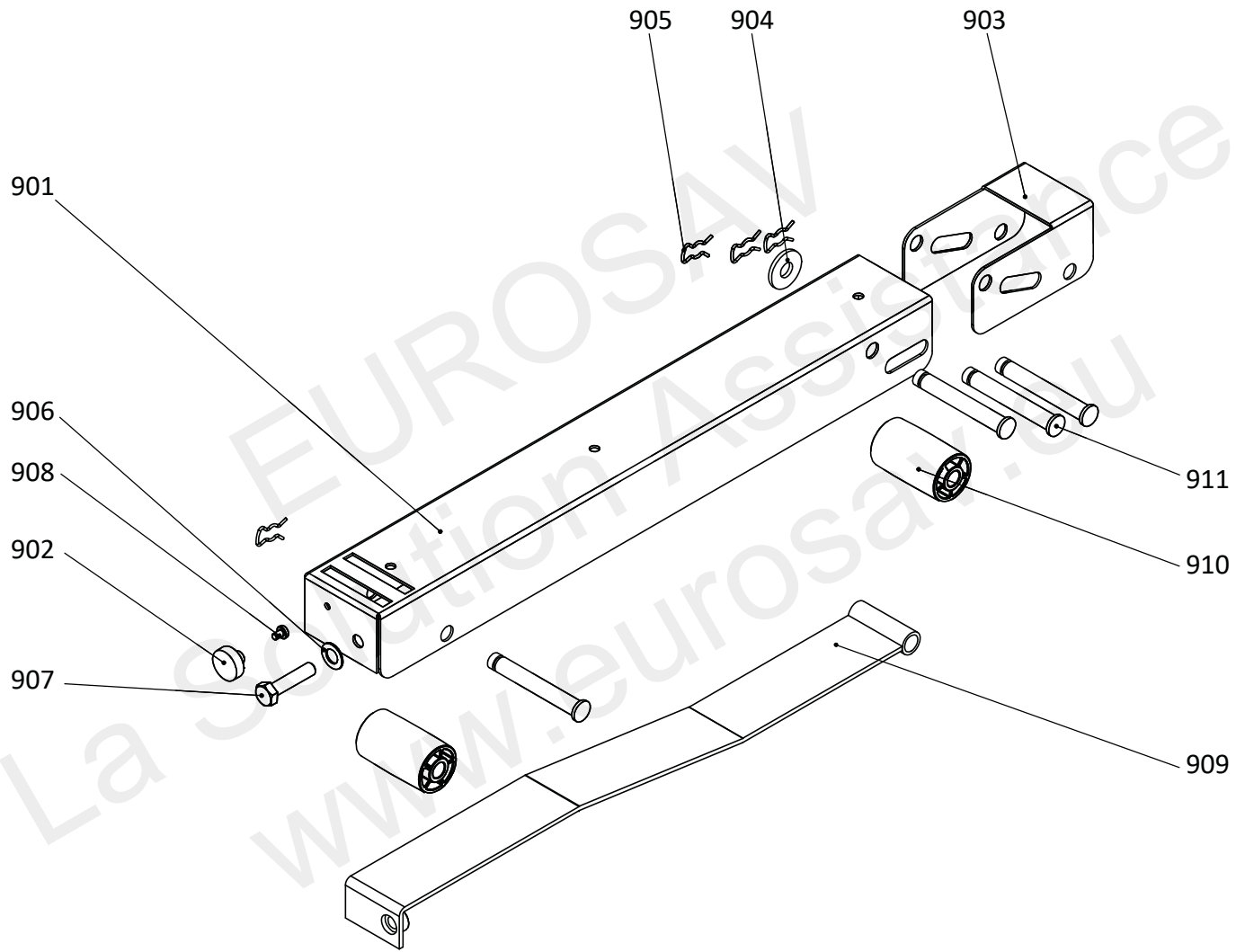
BASE PLATE ASSEMBLY
AE1M232695

SPAR680010 P08



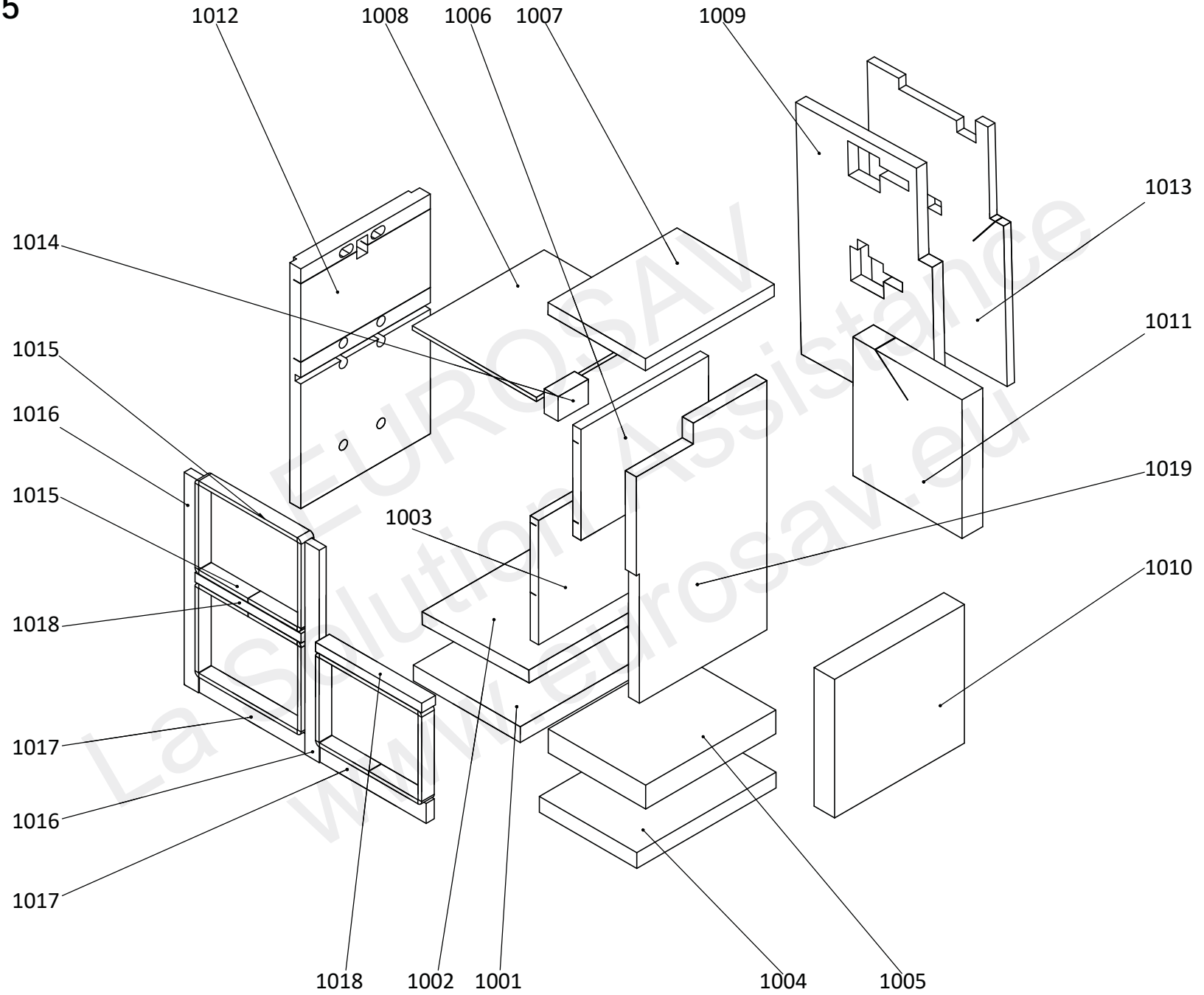
BASE PLATE LEG
AE1M232695

SPAR680010 P09



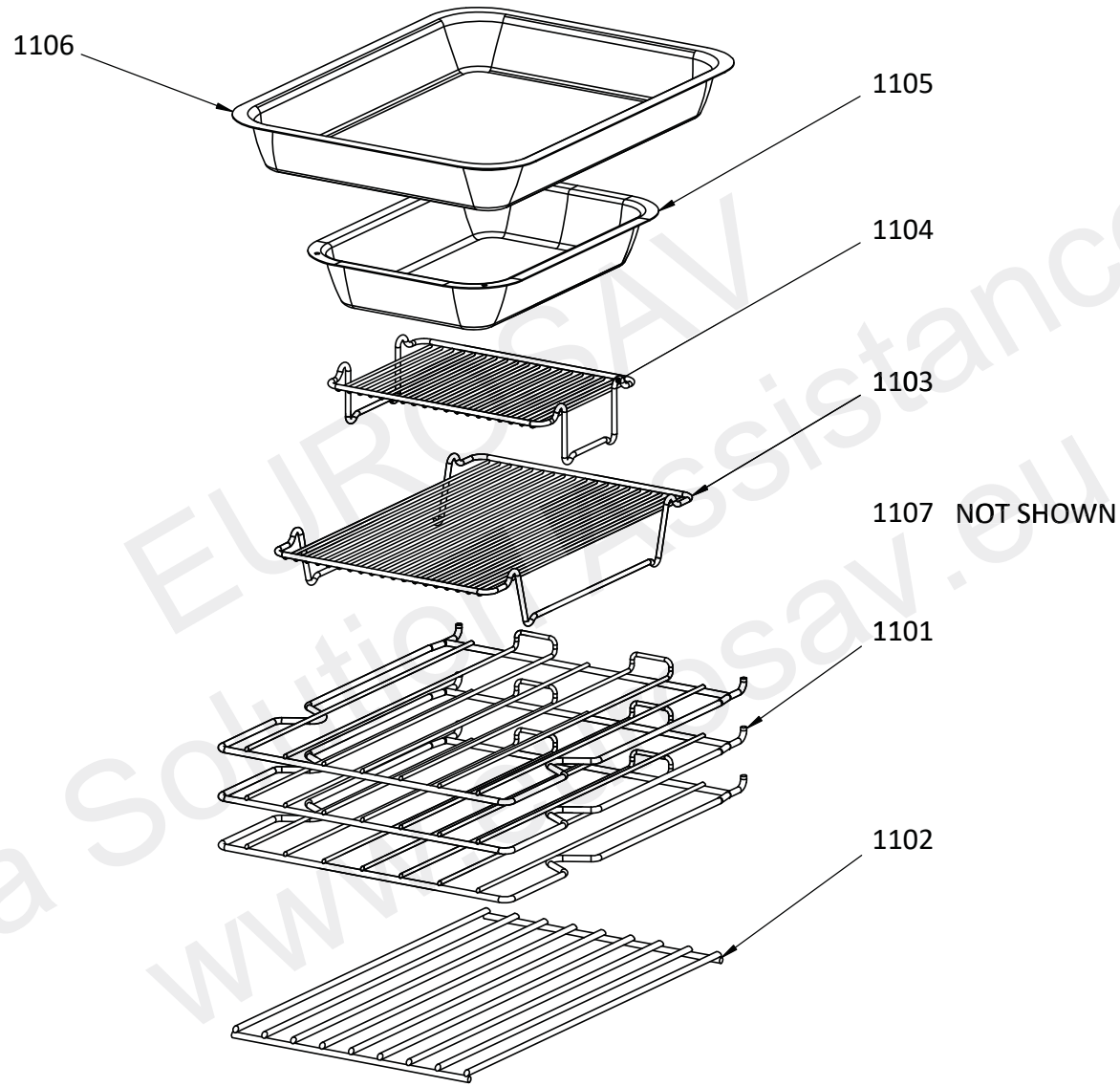
INSULATION ASSEMBLY
AE1M232695

SPAR680010 P10



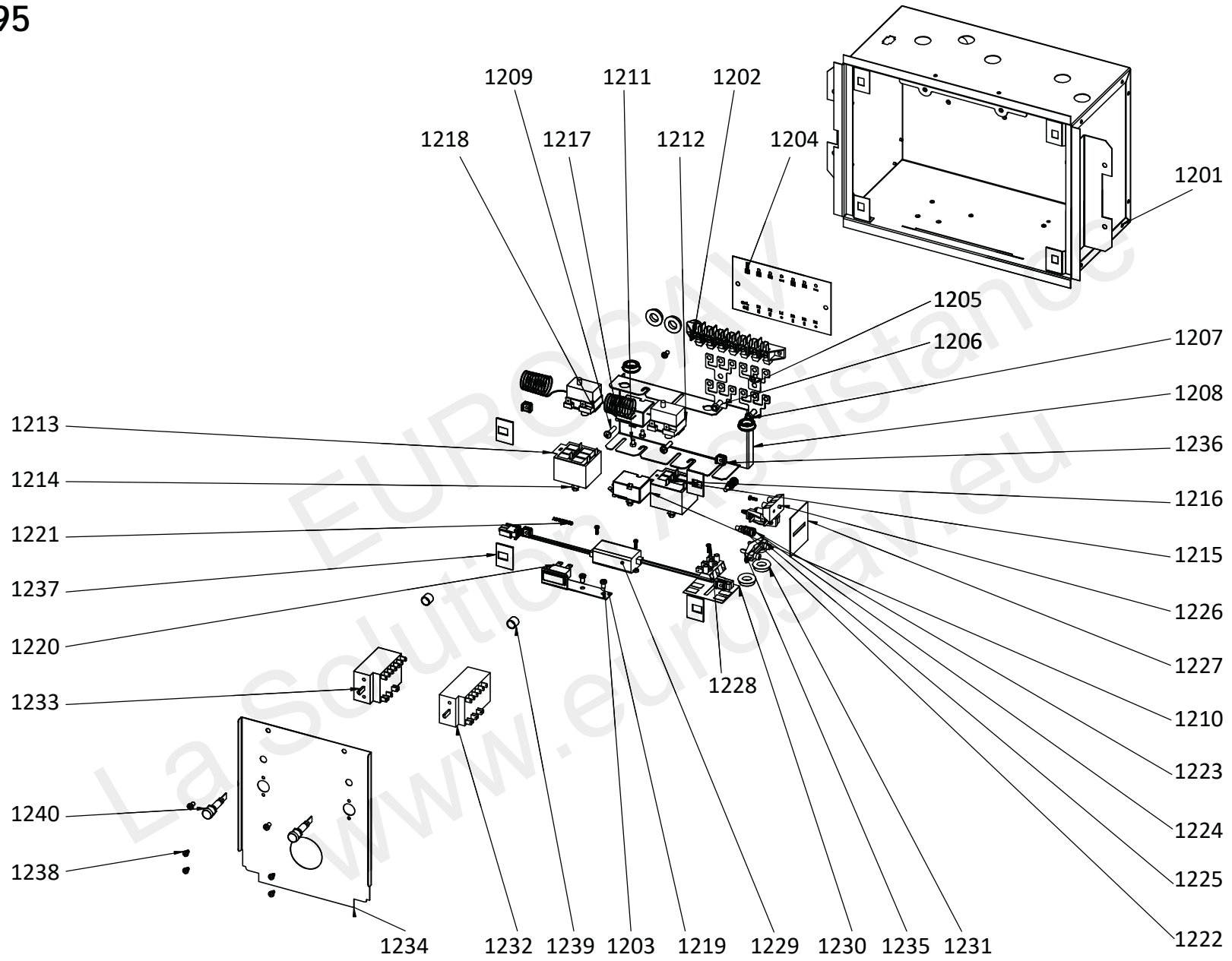
ACCESSORIES
AE1M232695

SPAR680010 P11



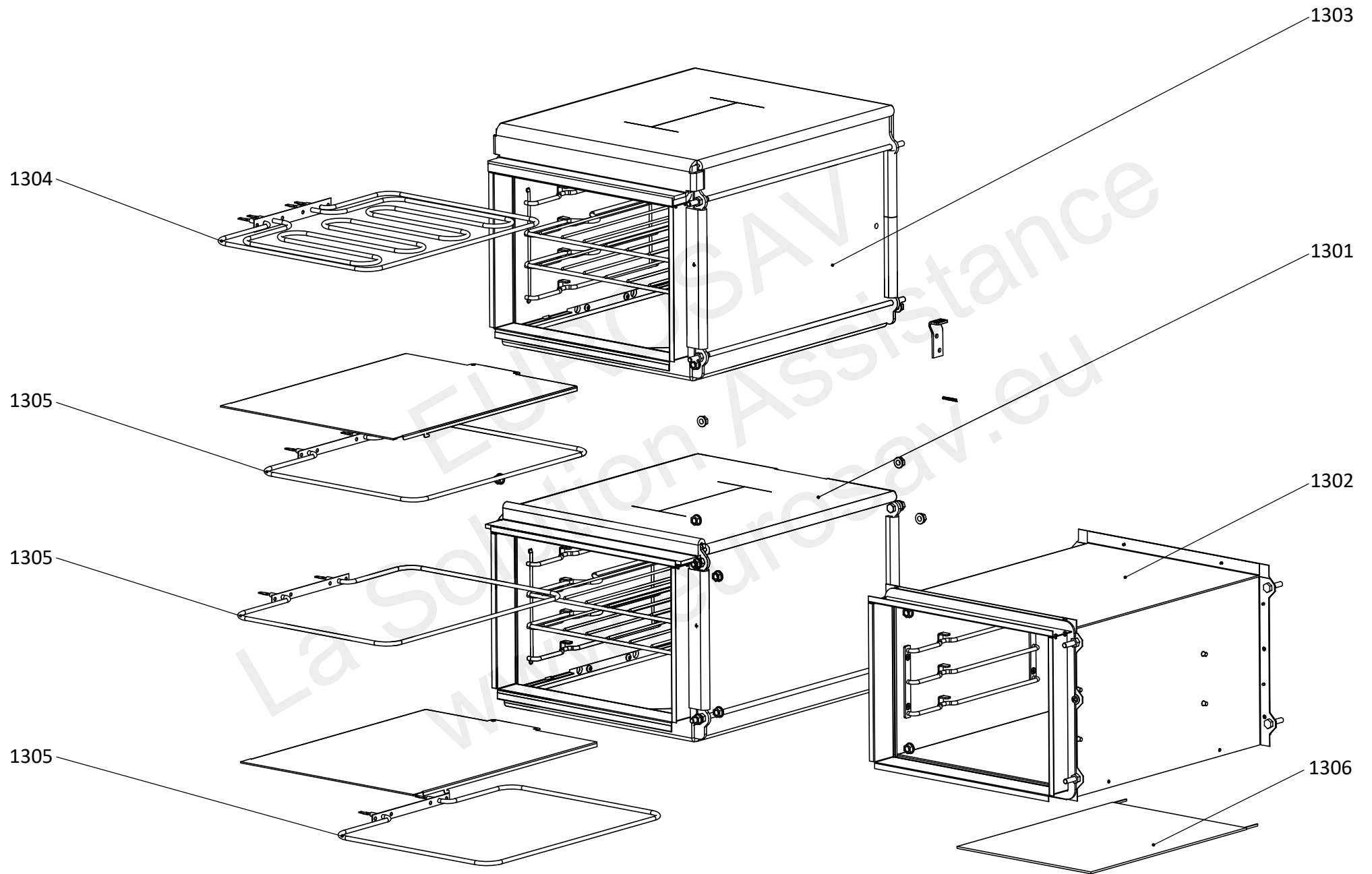
ELECTRICAL CHASSIS
AE1M232695

SPAR680010 P12



ELECTRICAL CHASSIS
AE1M232695

SPAR680010 P13



HOTPLATE
AE1M232695

SPAR680010 P14

