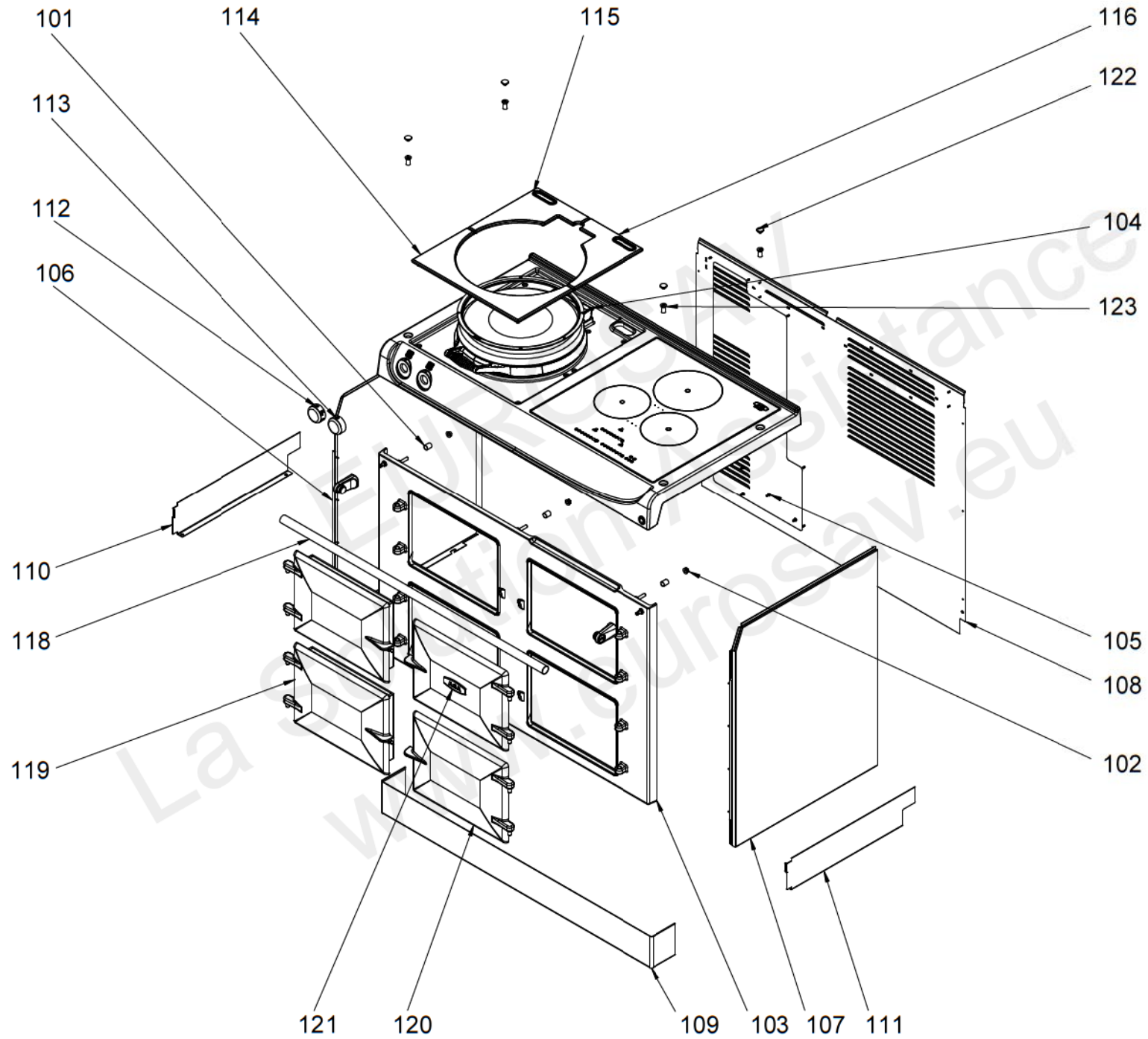


# AE1M232661 eR3 110 4i ASSEMBLY

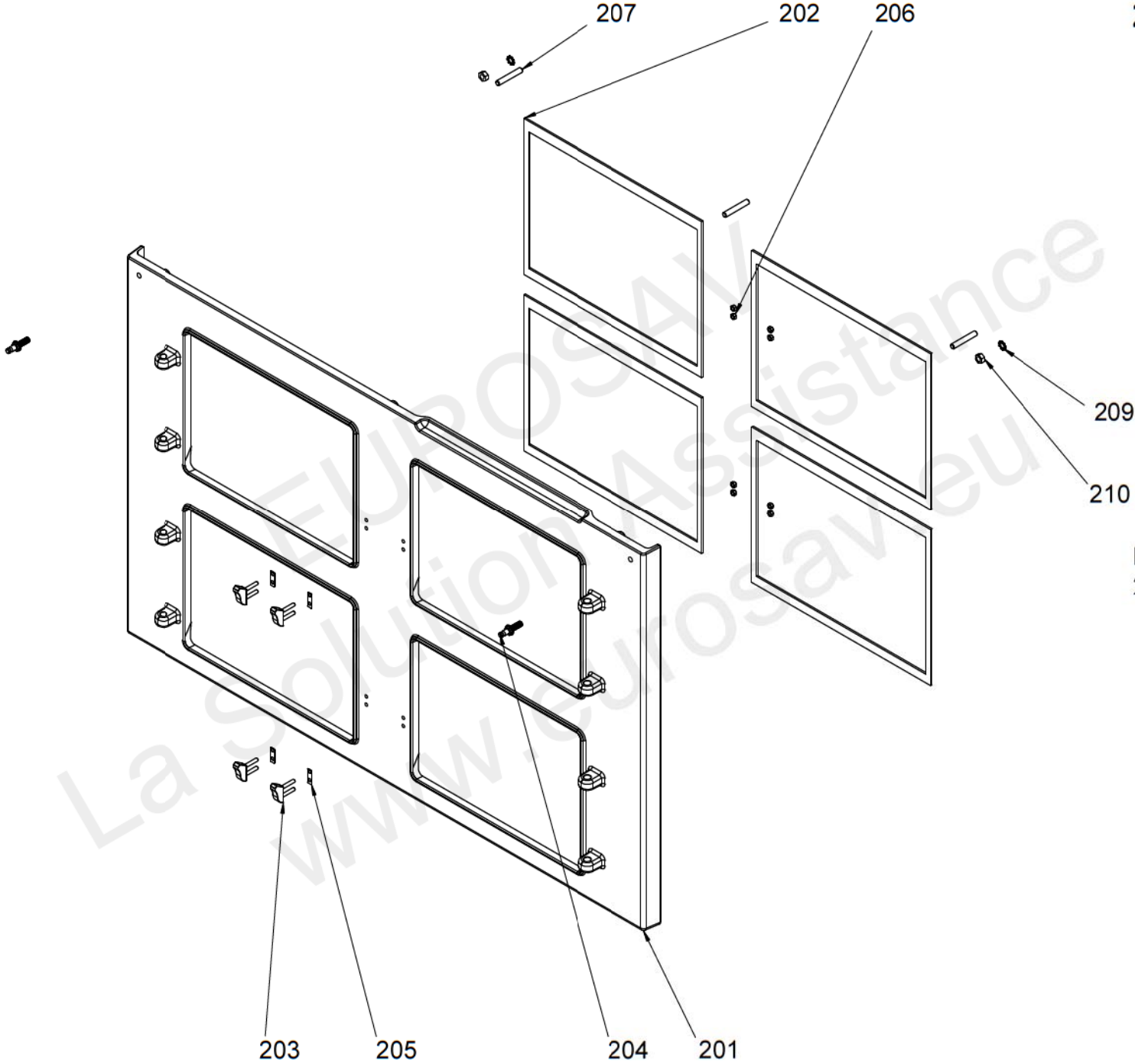
SPAR680003 P01  
232661



Not illustrated  
117

**AE1M232668 eR3 110 FRONT PLATE ASSEMBLY**

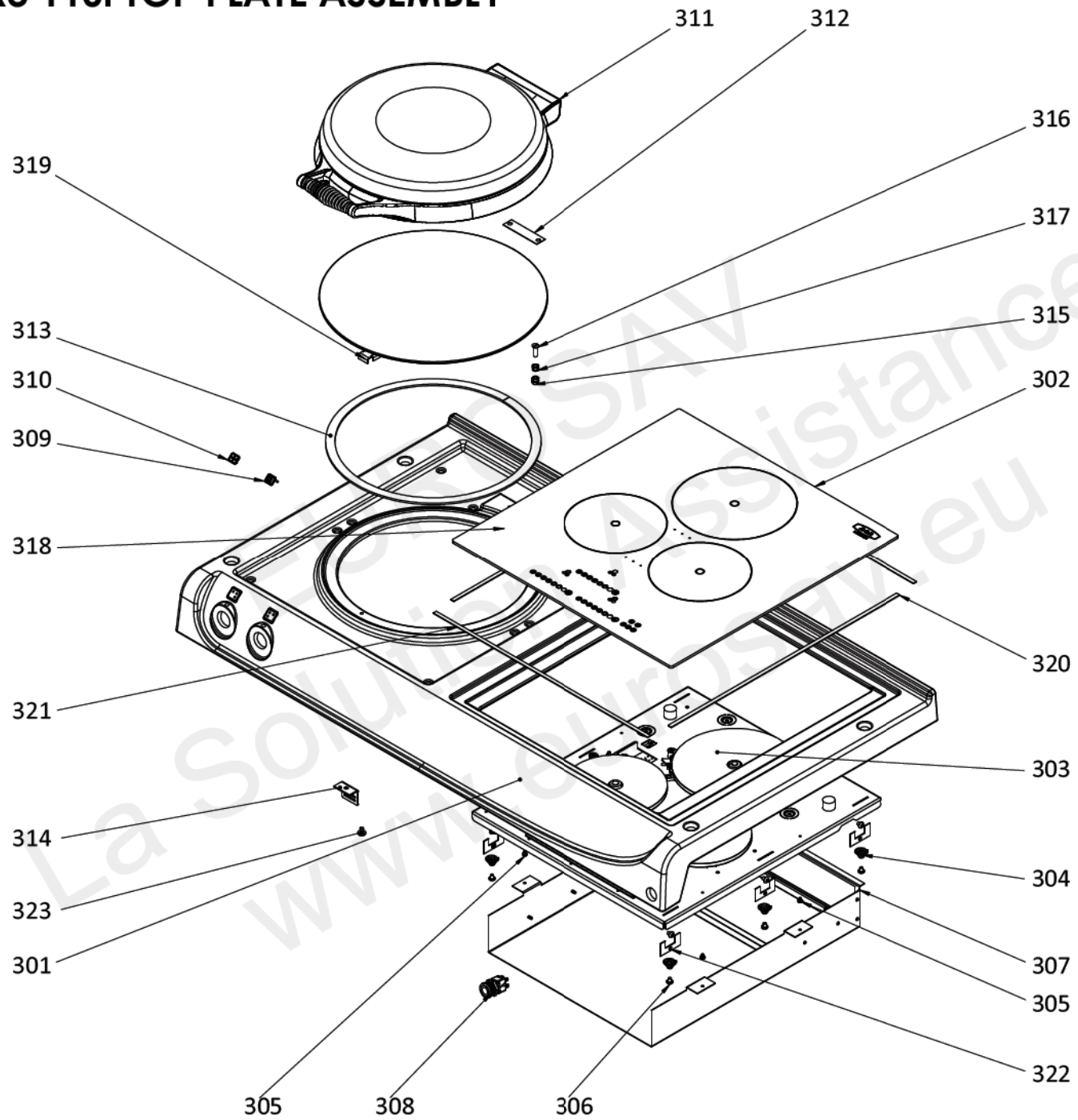
**SPAR680003 P02  
232661**



**Not illustrated  
208**

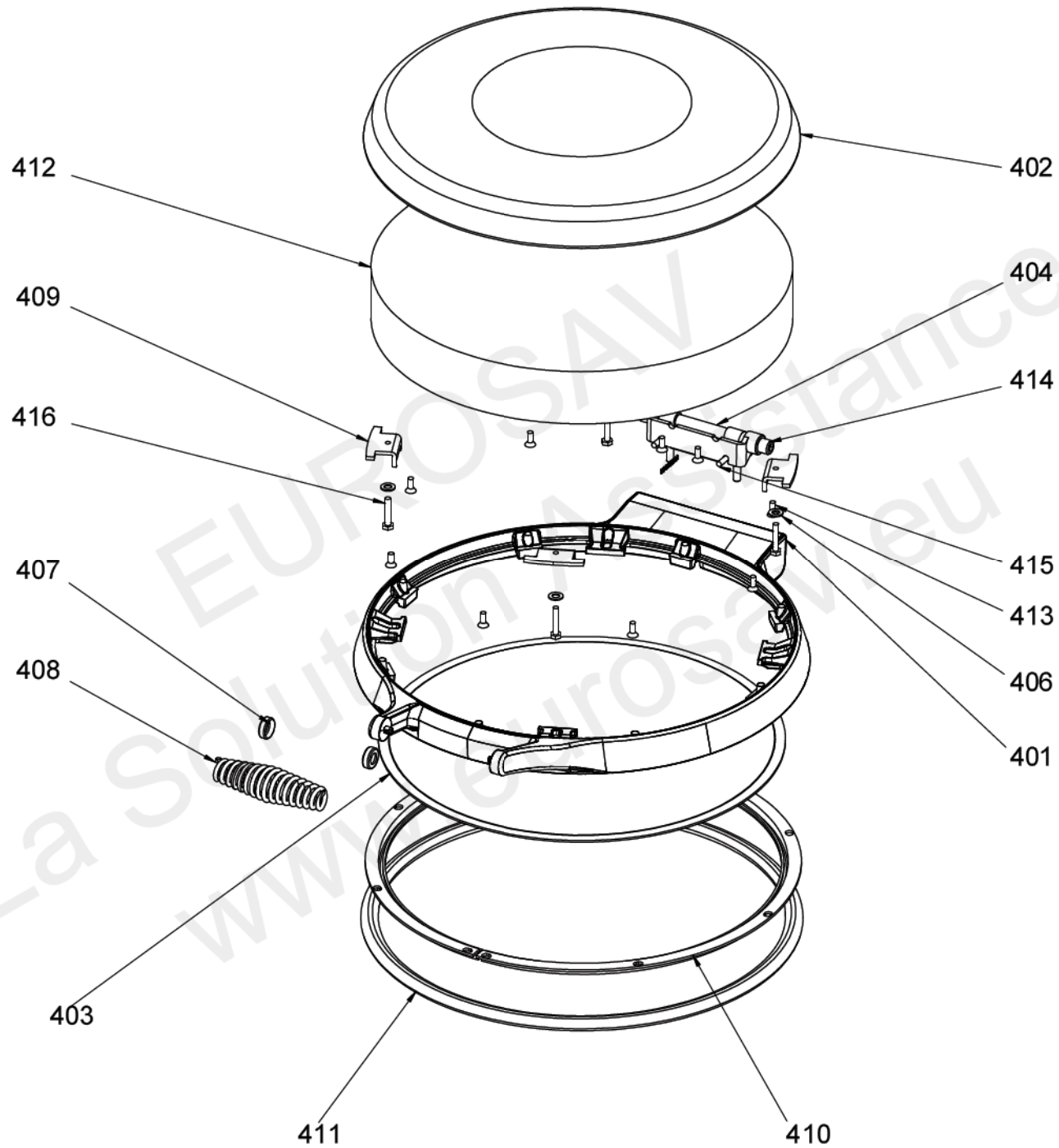
# AE1M232667 eR3 110i TOP PLATE ASSEMBLY

SPAR680003 P03  
232661



# AG1M212167 DOME ASSEMBLY

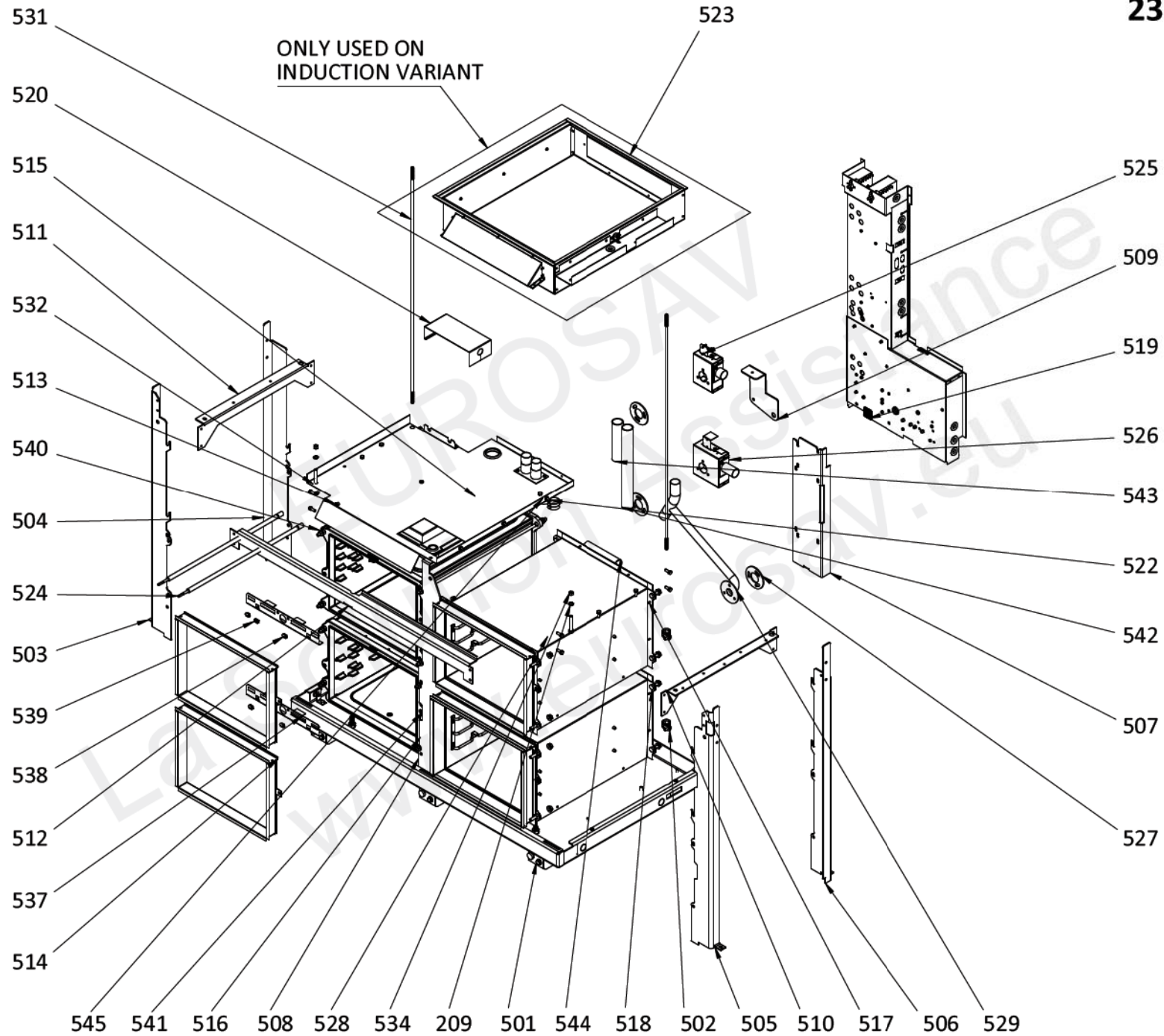
SPAR680003 P04  
232661



**Not illustrated**  
417  
405

# AE1M232666 eR3 110 FRAME WORK ASSEMBLY

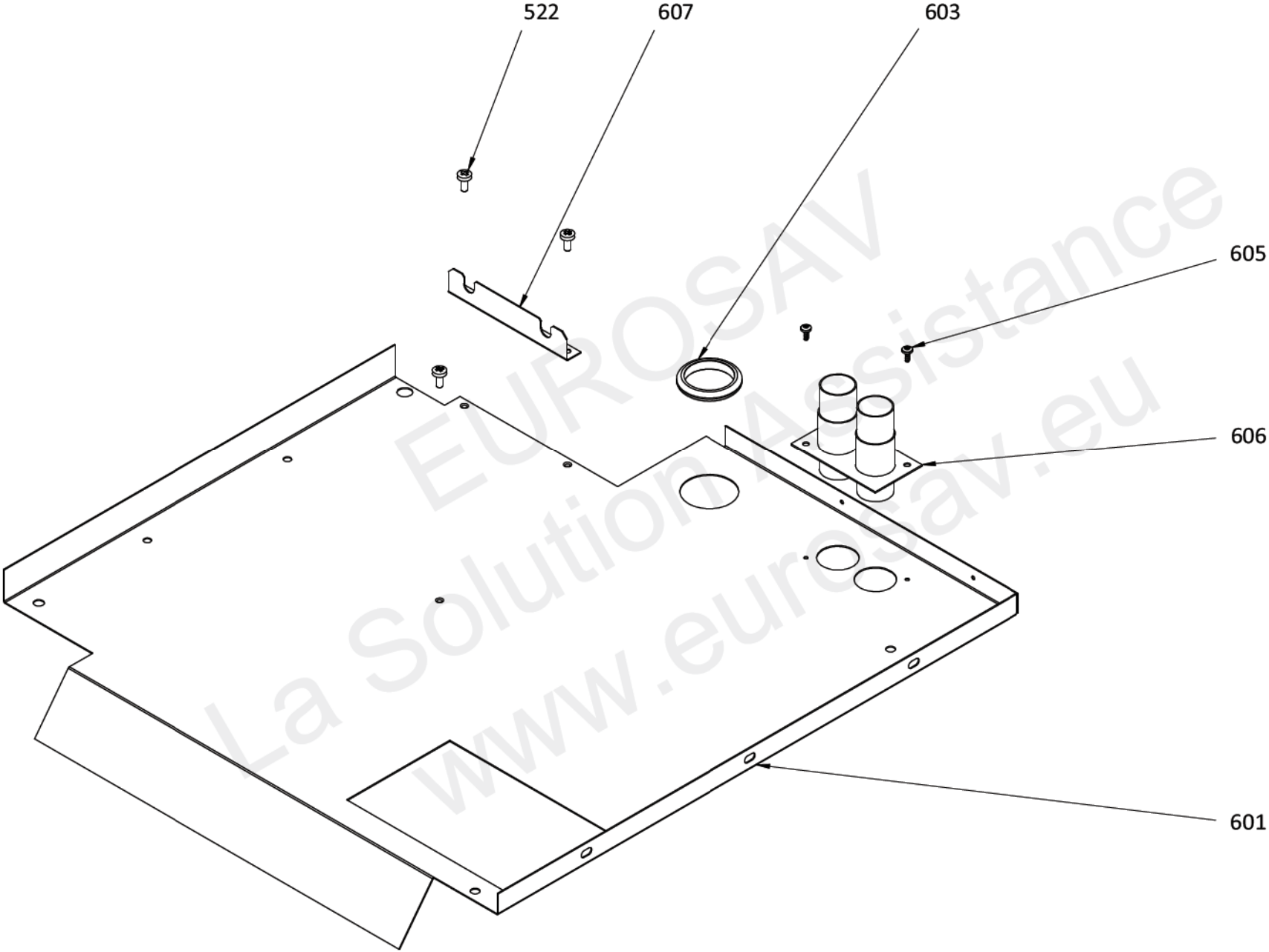
SPAR680003 P05  
232661





**AE1M232666 eR3 110 FRAME WORK ASSEMBLY**

**SPAR680003 P06  
232661**



**Not illustrated  
602**

601

605

606

603

607

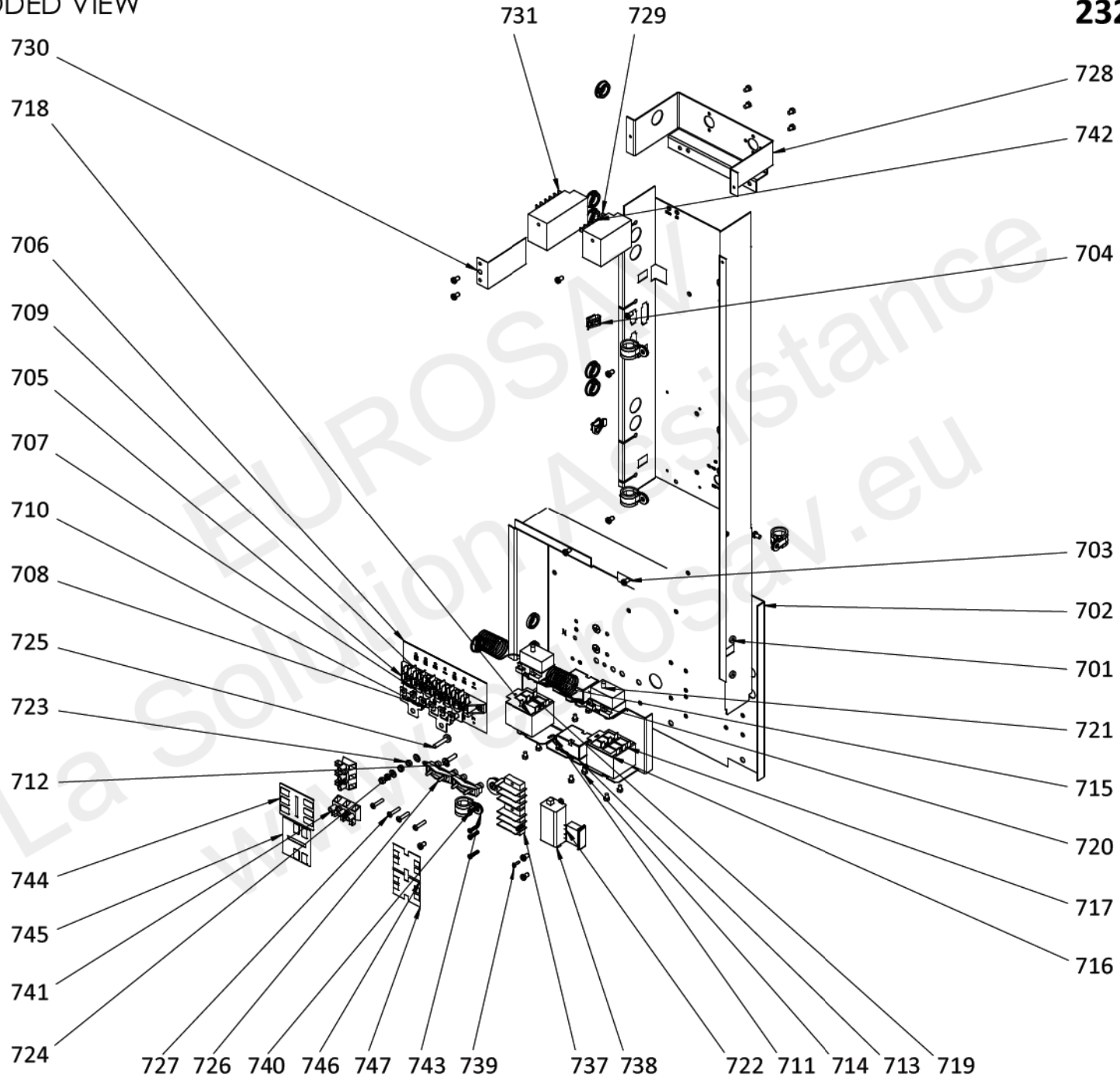
522

# AE1M232107 ELECTRICAL CHASSIS W. INDUCTION ASSEMBLY

OPTION 1 - FULL EXPLODED VIEW

SPAR680003 P07

232661



Not illustrated

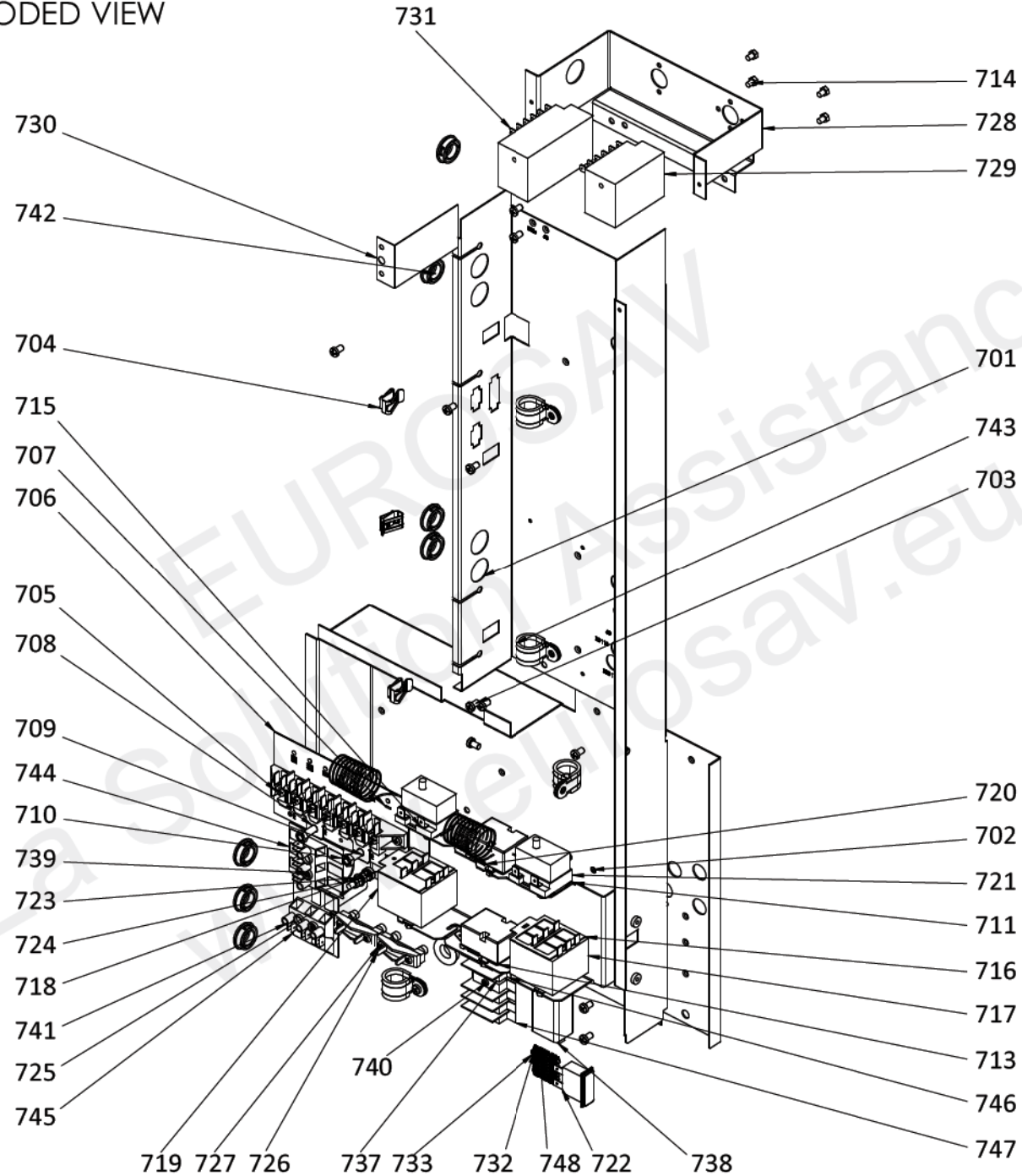
- 732
- 733
- 734
- 735
- 736
- 748

# AE1M232107 ELECTRICAL CHASSIS W. INDUCTION ASSEMBLY

OPTION 2 - PARTIAL EXPLODED VIEW

SPAR680003 P08

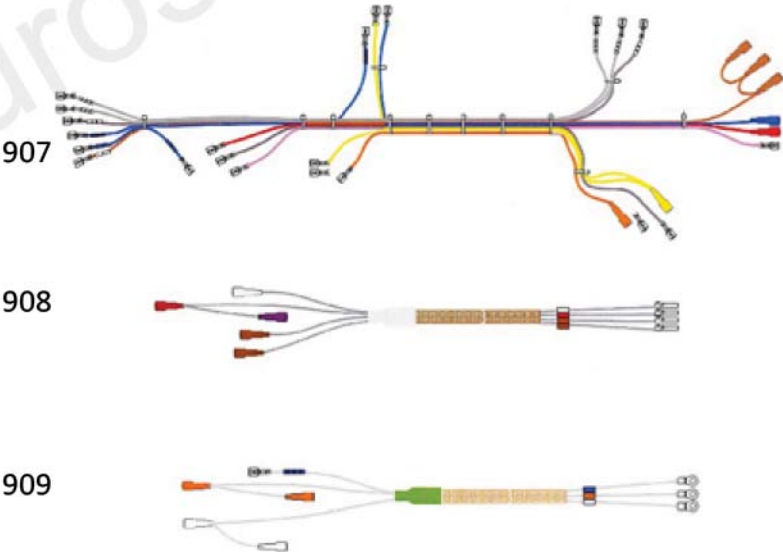
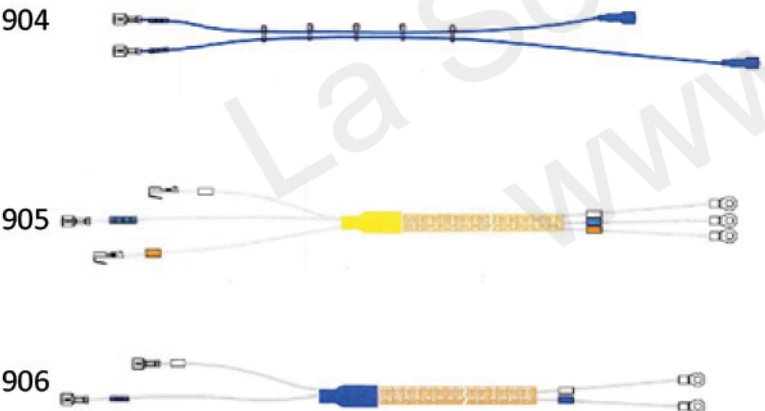
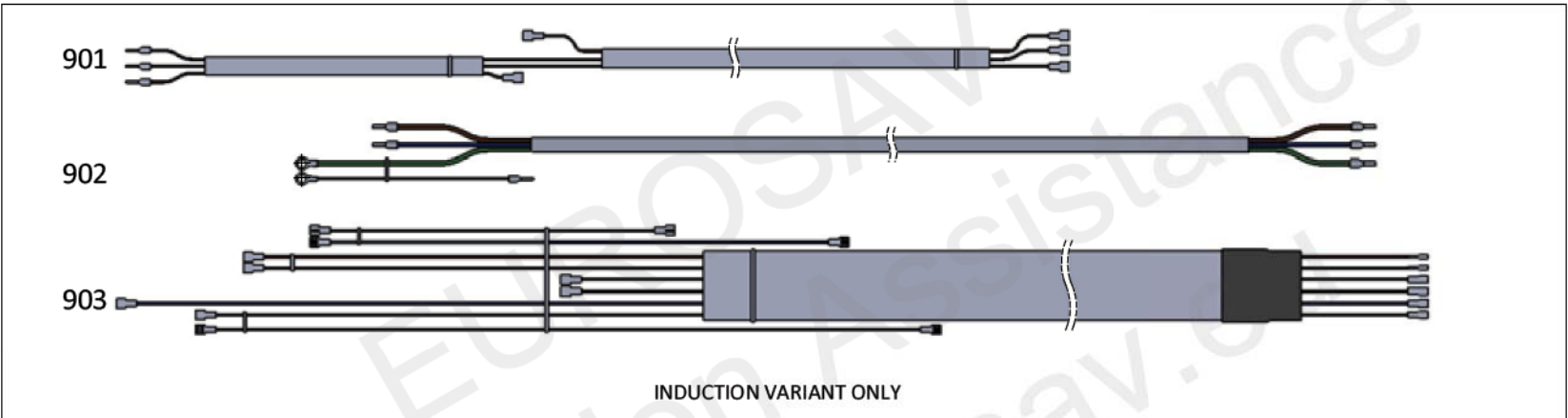
232661



Not illustrated

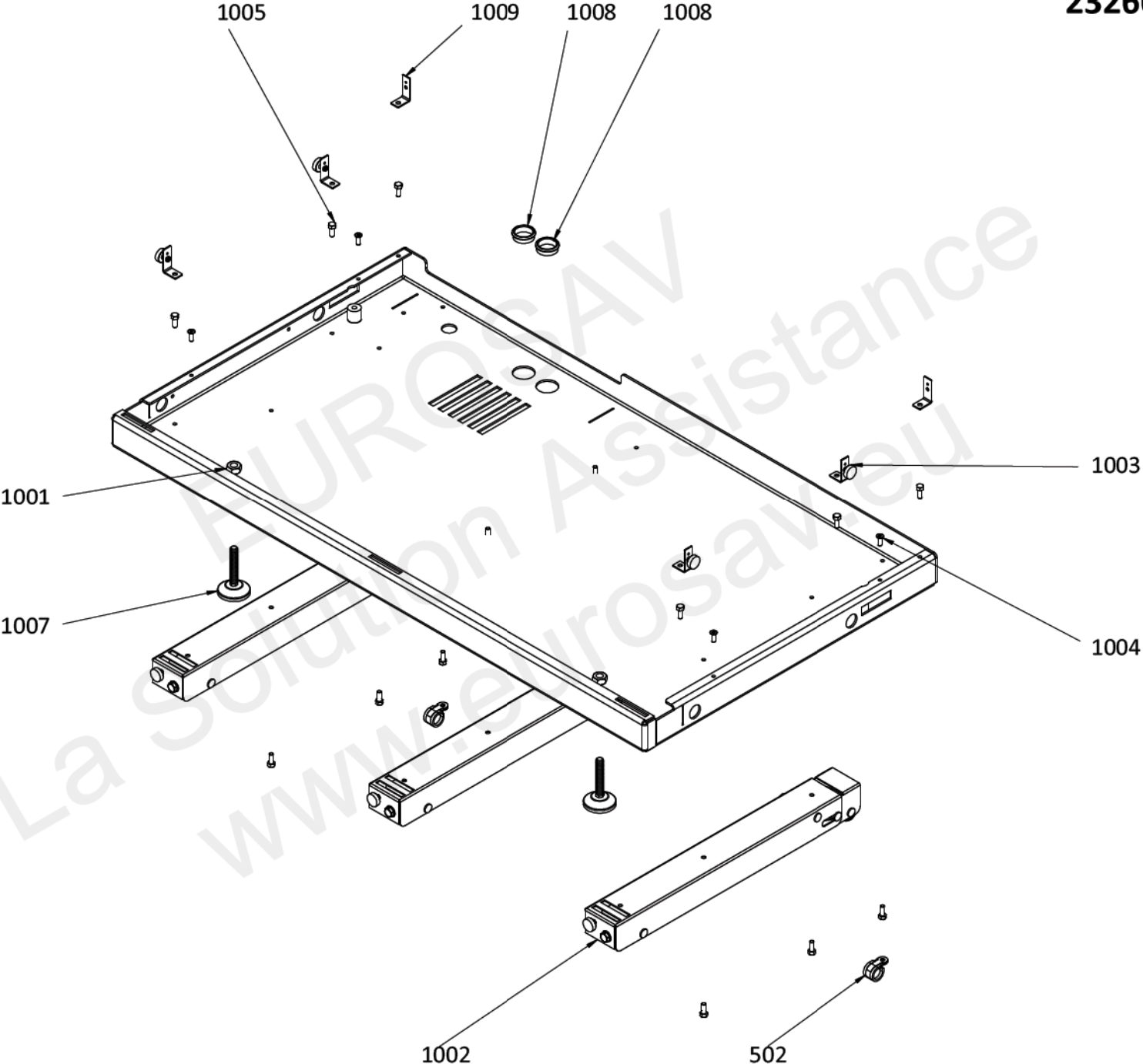
- 712
- 734
- 735
- 736





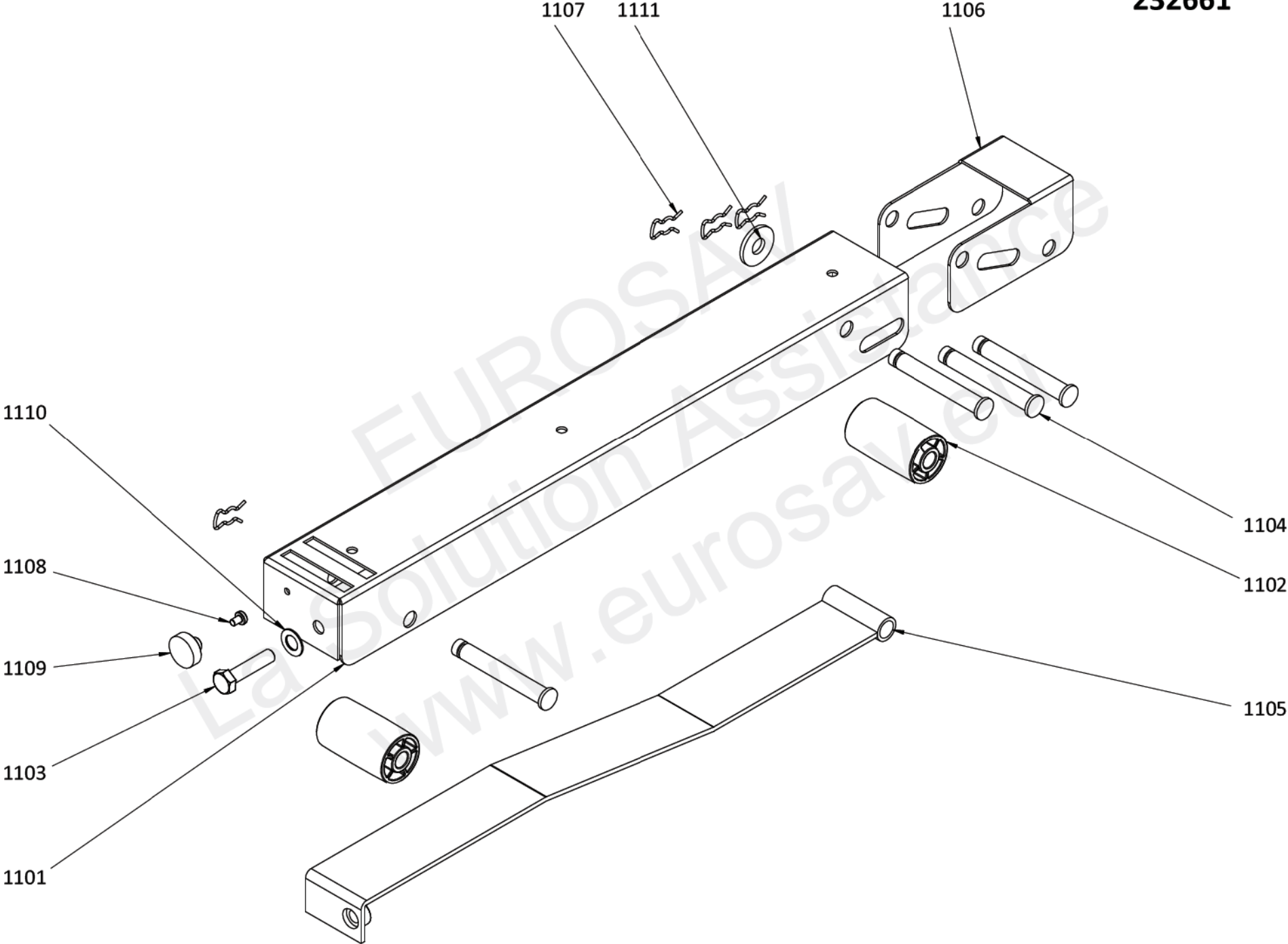
# AE1M232413 eR3 90 BASE PLATE ASSEMBLY

SPAR680003 P10  
232661



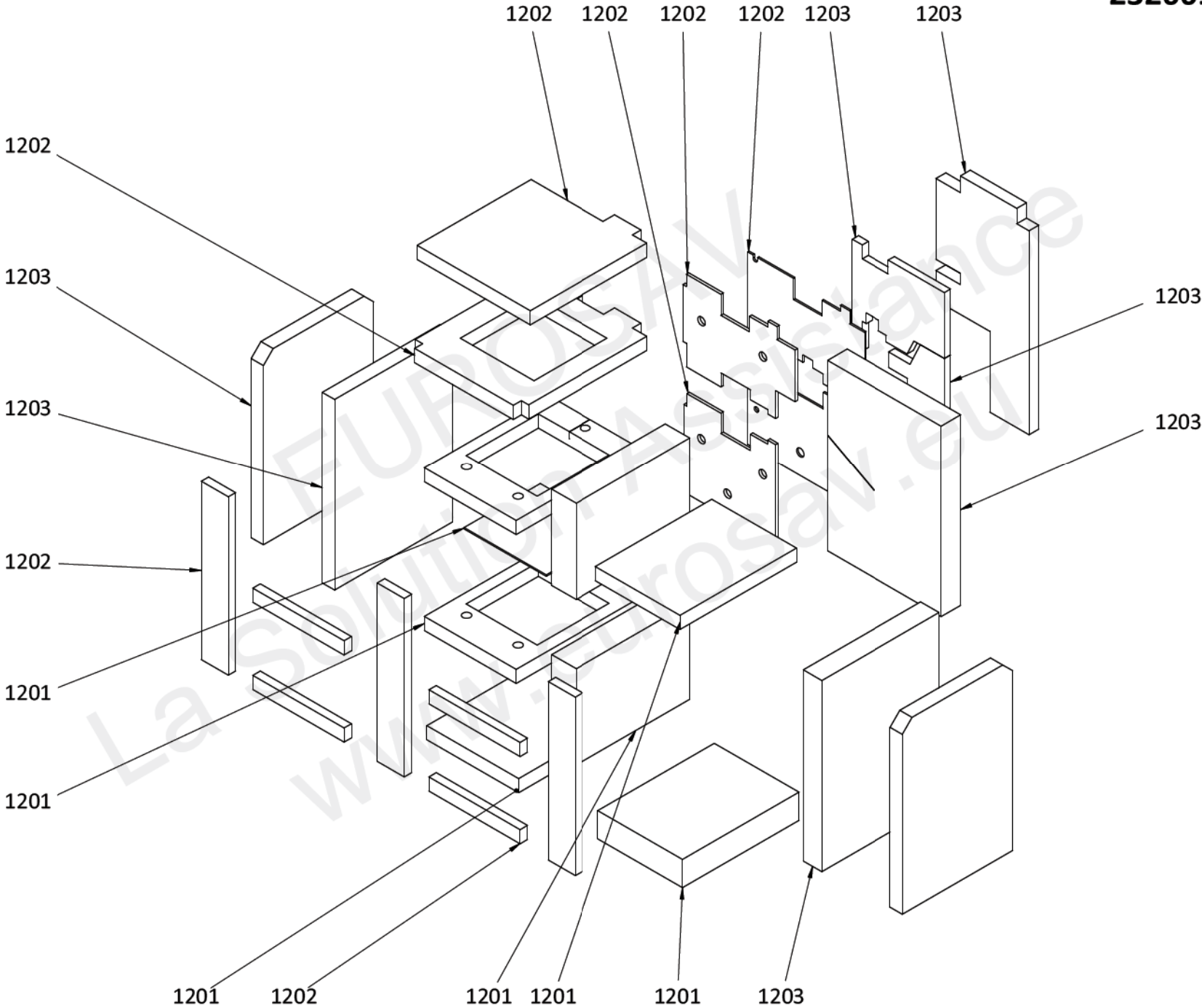
**AE1M232527 eR3 90 INSULATION ASSEMBLY (ALL KITS)**

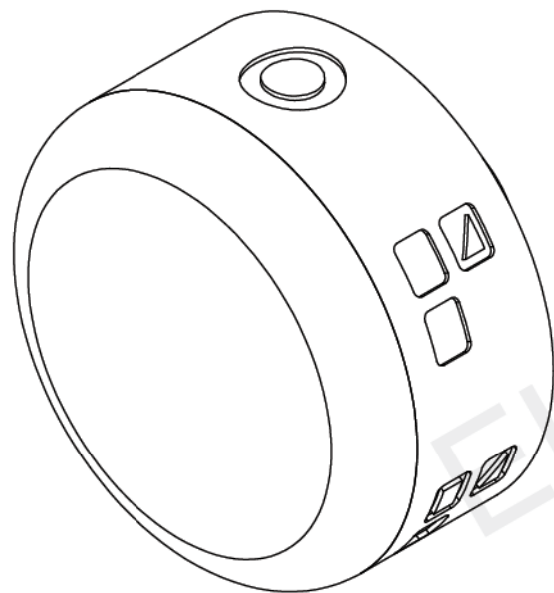
**SPAR680003 P11  
232661**



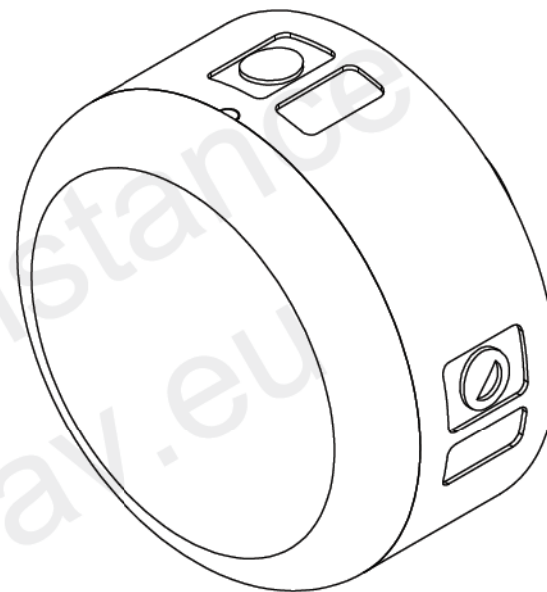
**AE1M232737 eR3 110 INSULATION ASSEMBLY (ALL KITS)**

**SPAR680003 P12  
232661**





112



113



