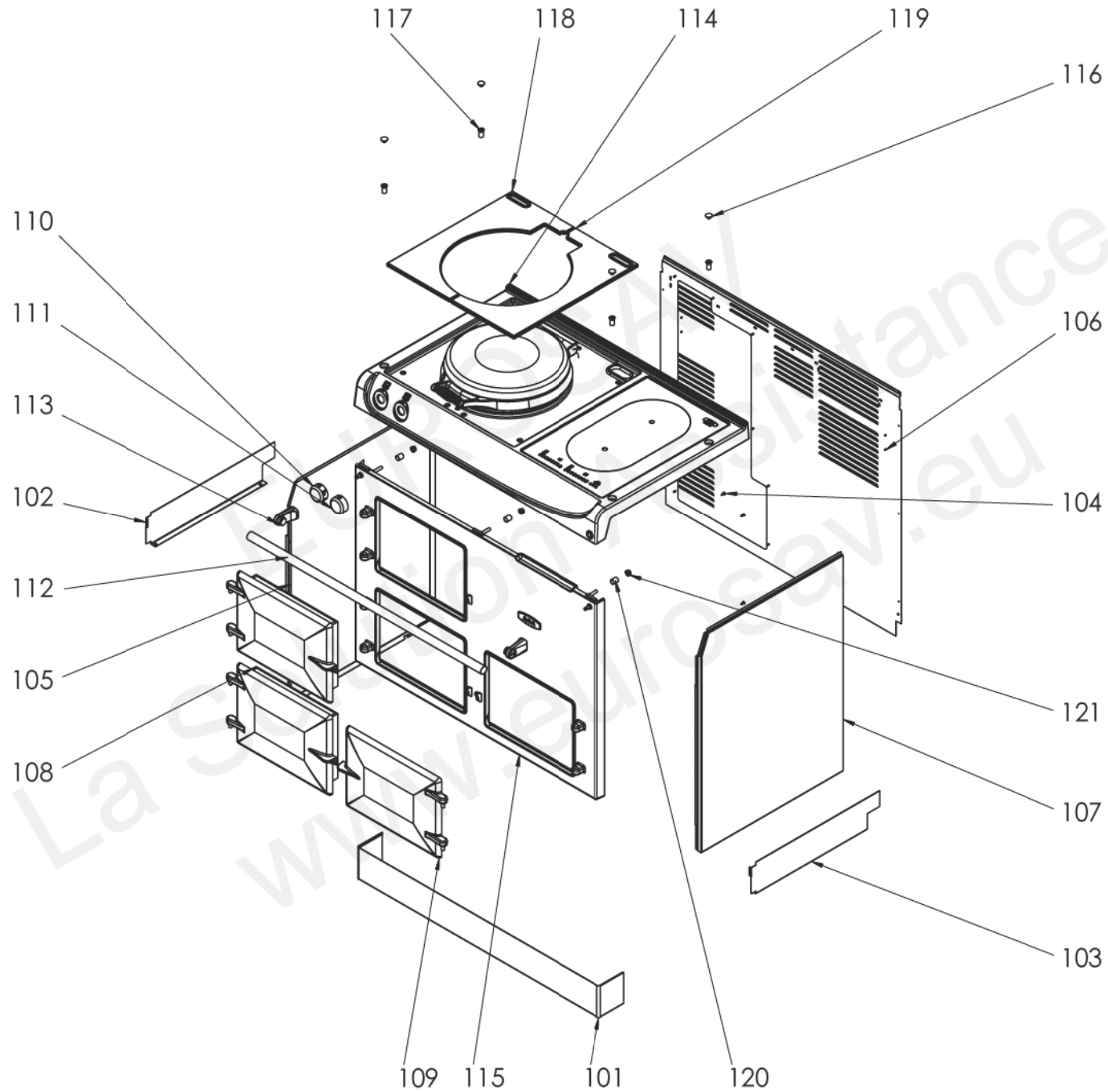


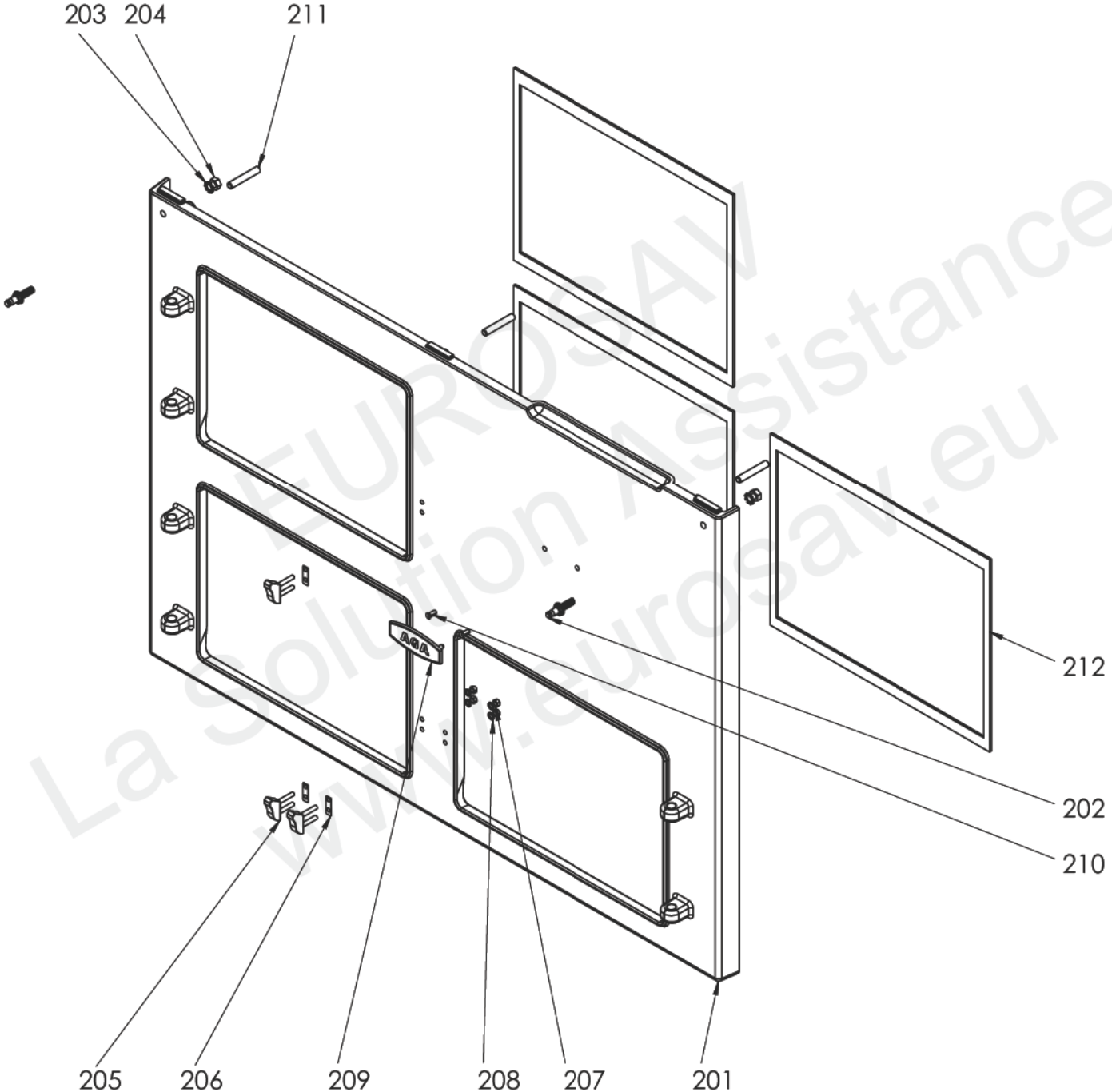
AE1M232263 eR3 100/3i ASSEMBLY

SPAR680001 P01



AE1M232264 eR3 100 FRONT PLATE ASSEMBLY

SPAR680001 P02



AE1M232294 eR3 100/3i TOP PLATE ASSEMBLY

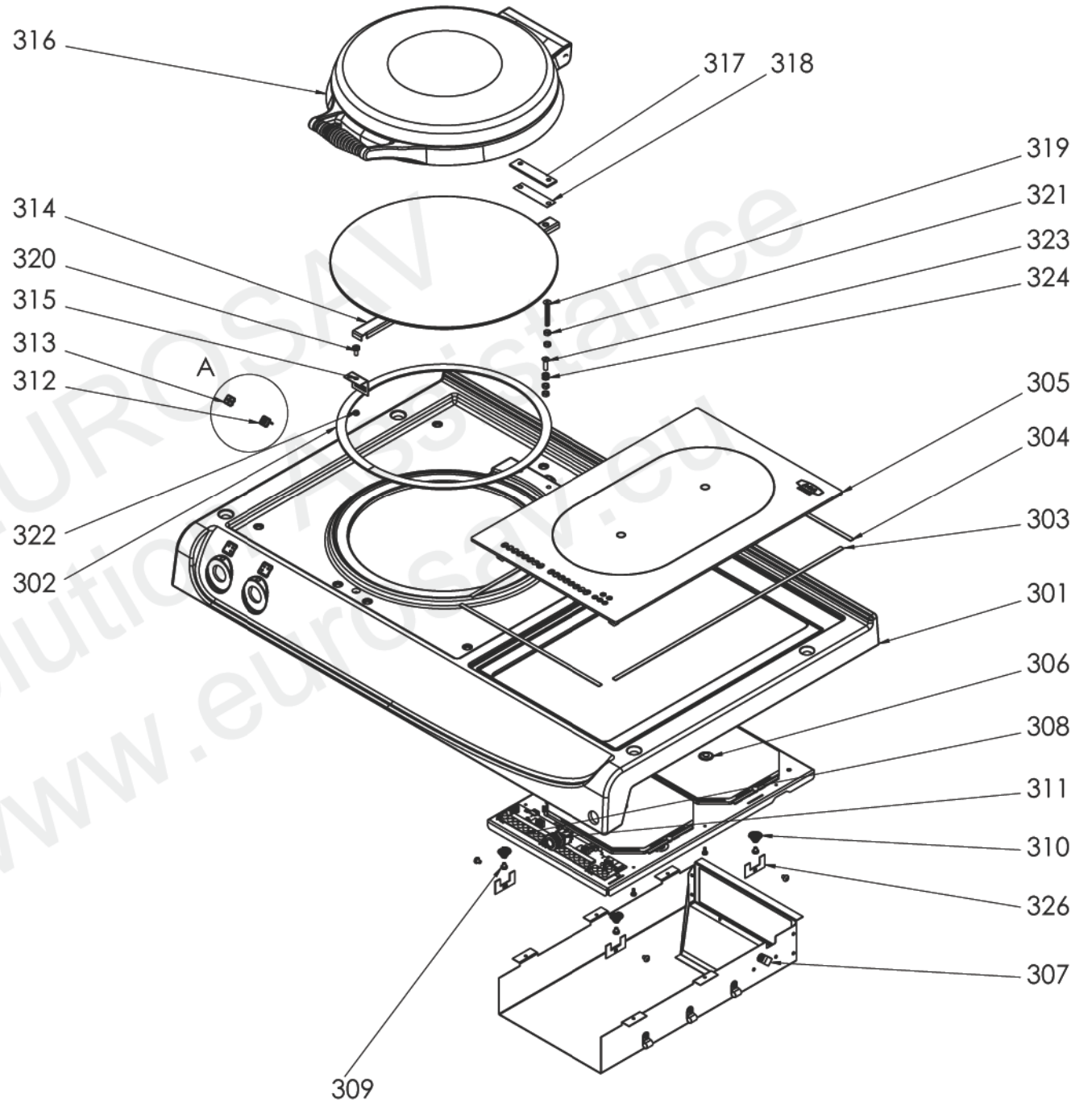
SPAR680001 P03



DETAIL A

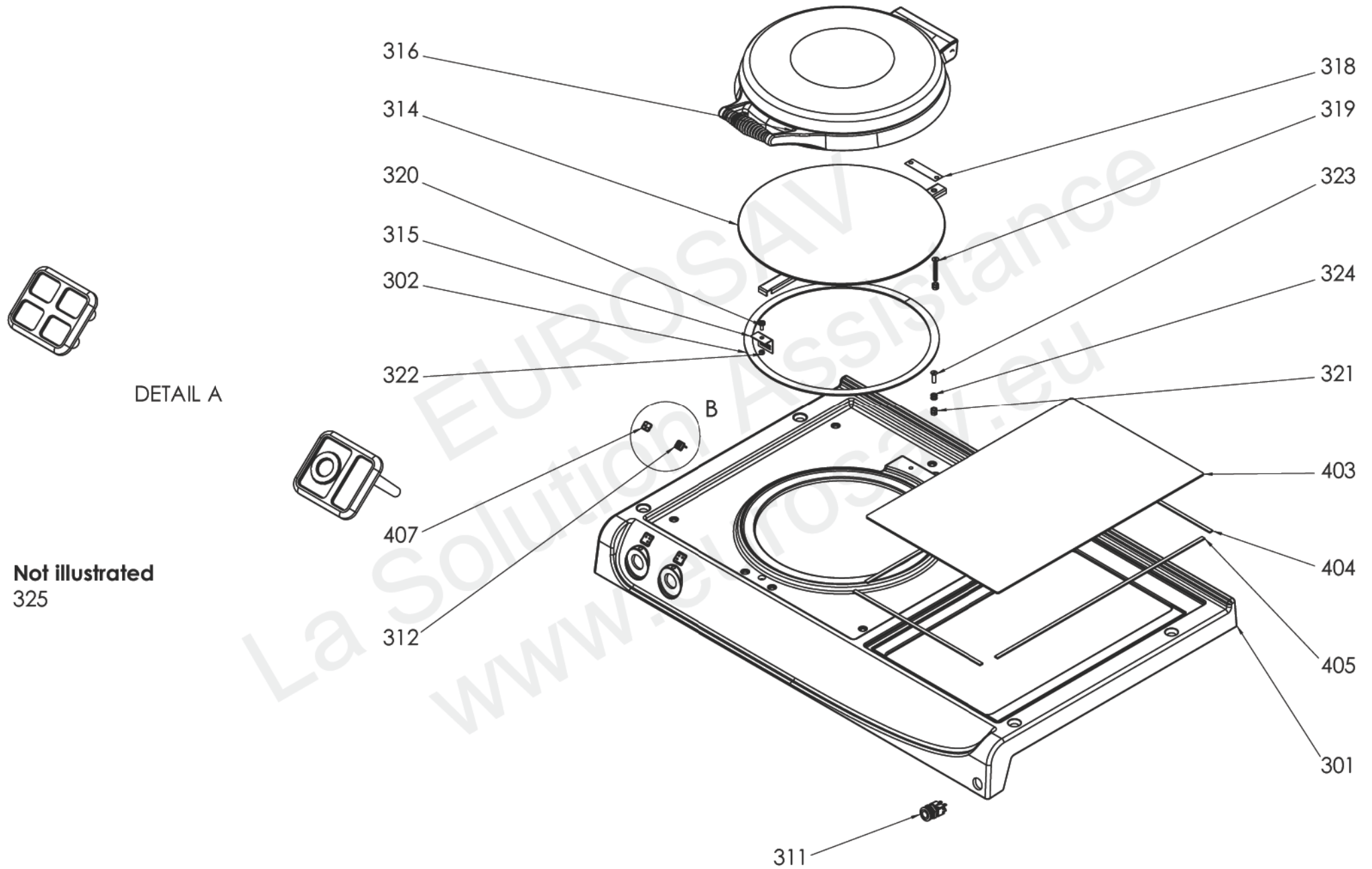


Not illustrated
325



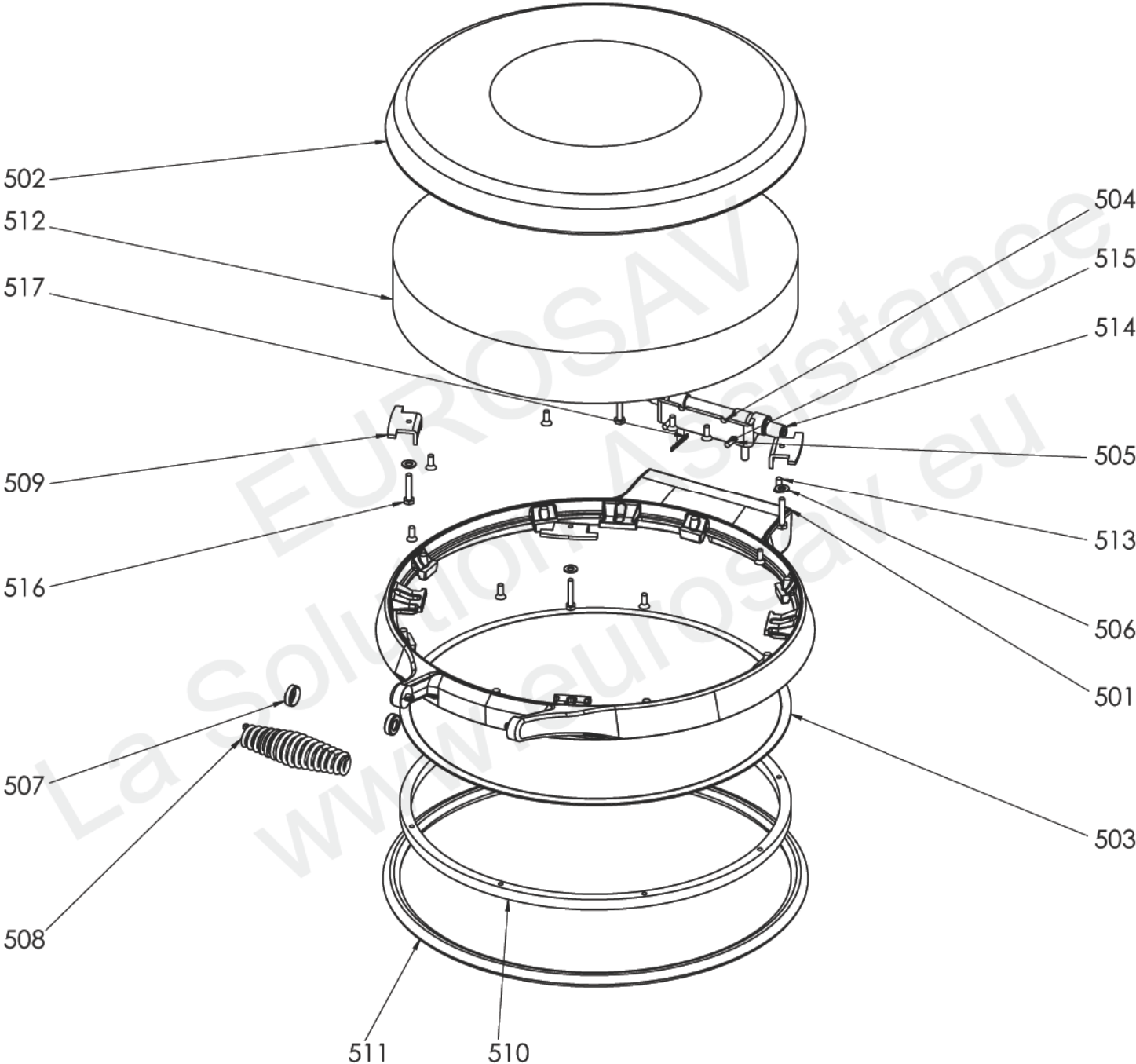
AE1M232057 eR3 100/3 TOP PLATE ASSEMBLY(WARMING PLATE VARIATION)

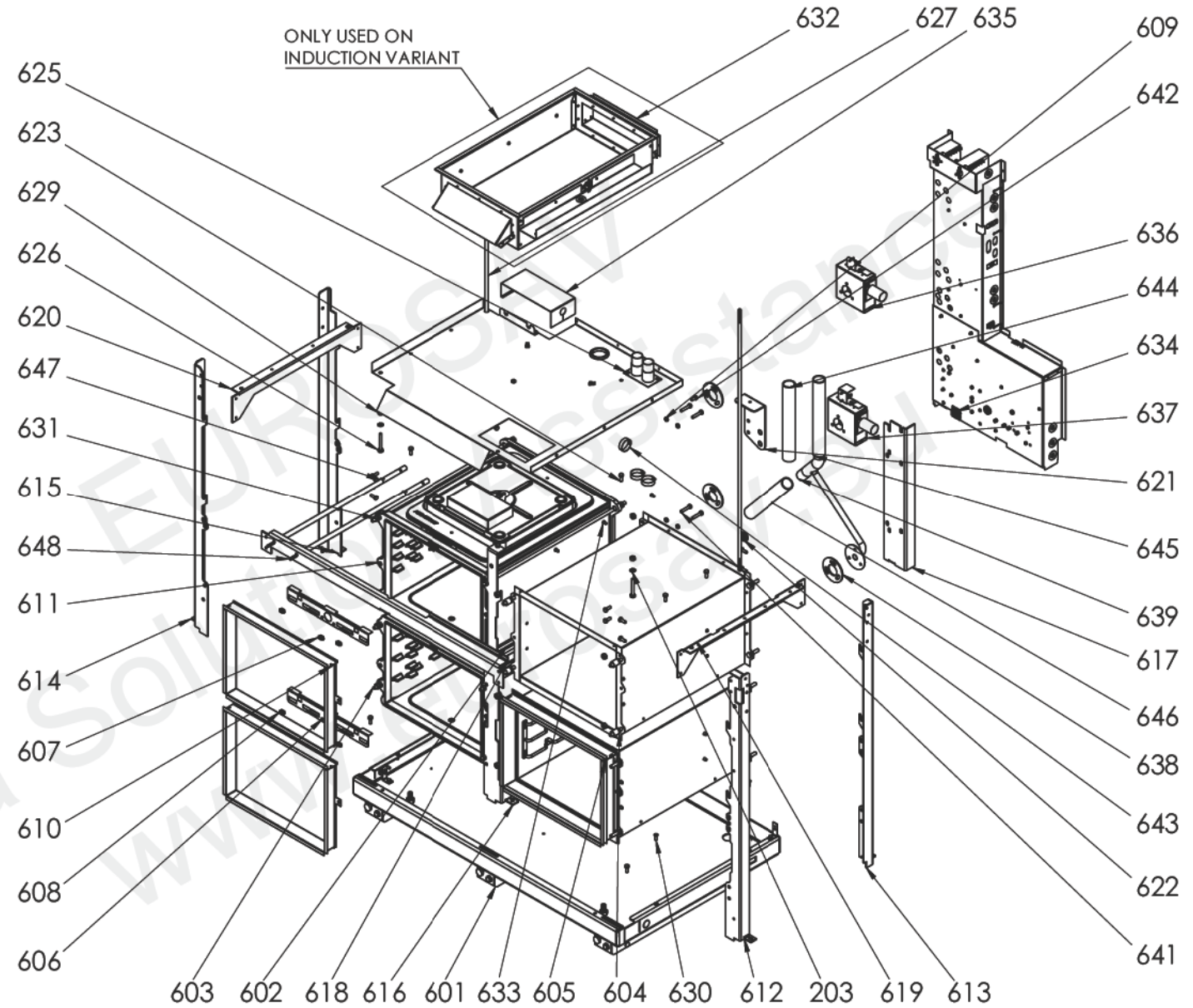
SPAR680001 P04



AG1M212167 DOME ASSEMBLY

SPAR680001 P05

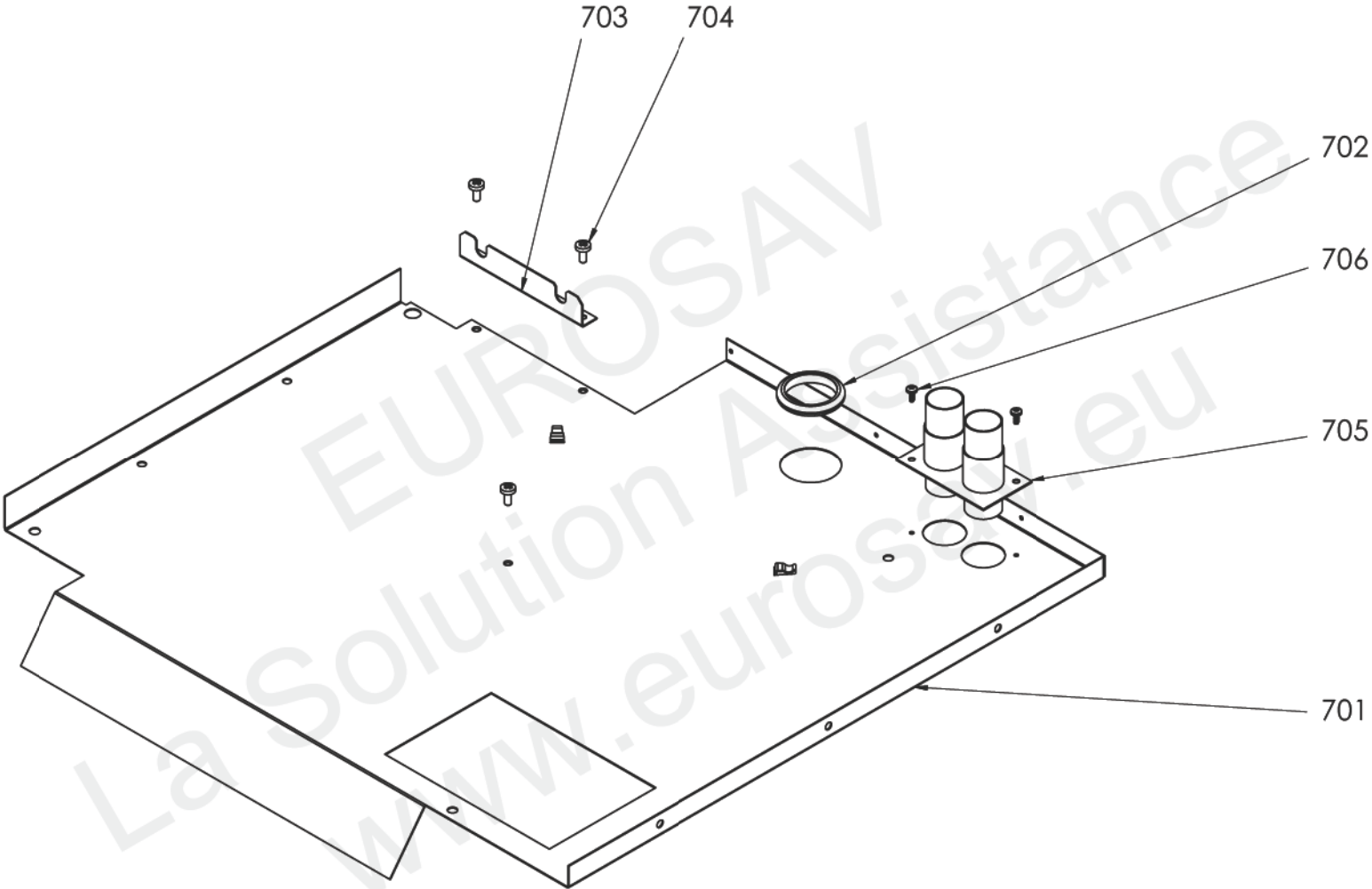




Not illustrated
640

eR3 100 DIVIDER PLATE ASSEMBLY

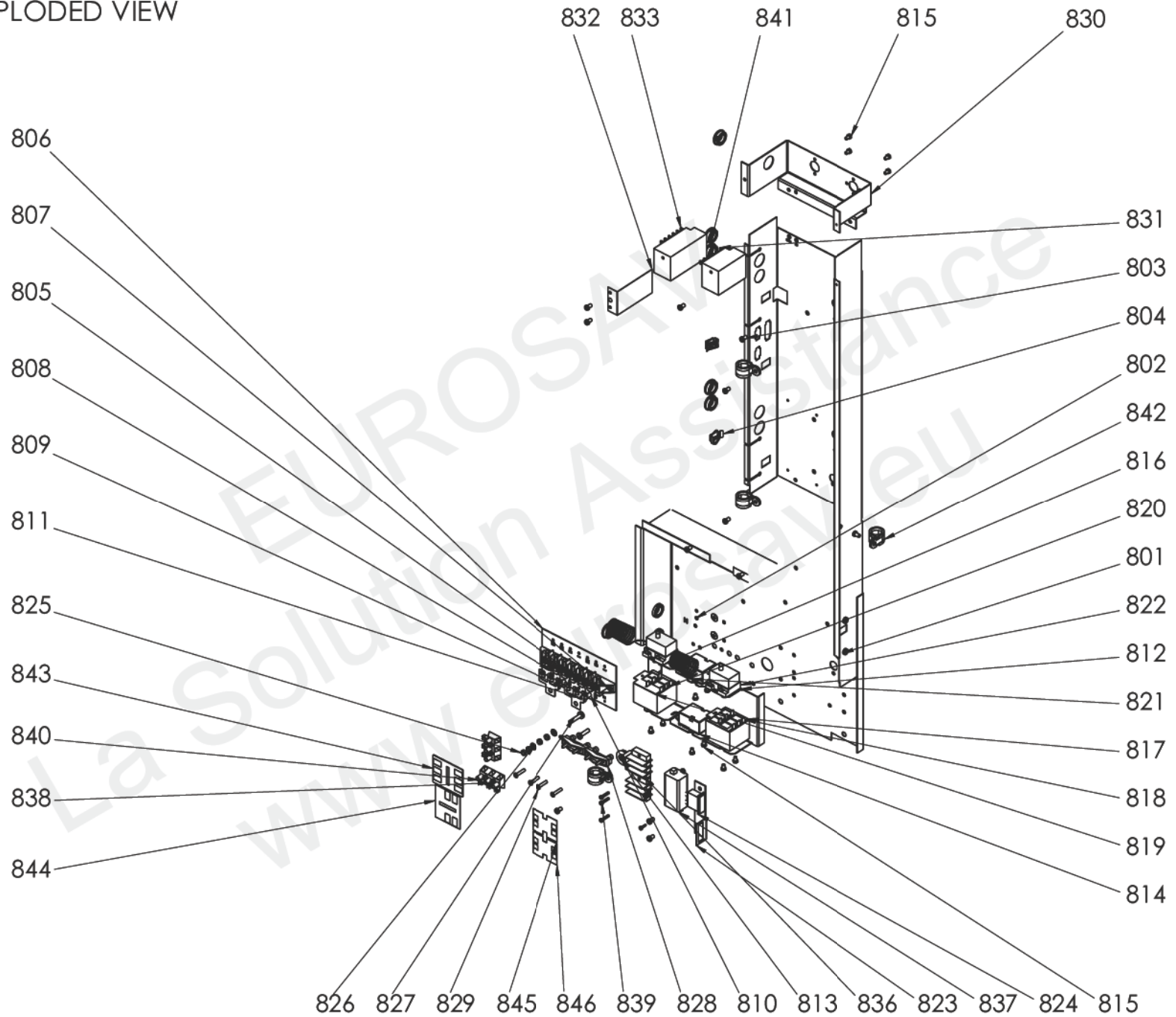
SPAR680001 P07



AE1M232107 ELECTRICAL CHASSIS W. INDUCTION ASSEMBLY

SPAR680001 P08

OPTION 1 - FULL EXPLODED VIEW

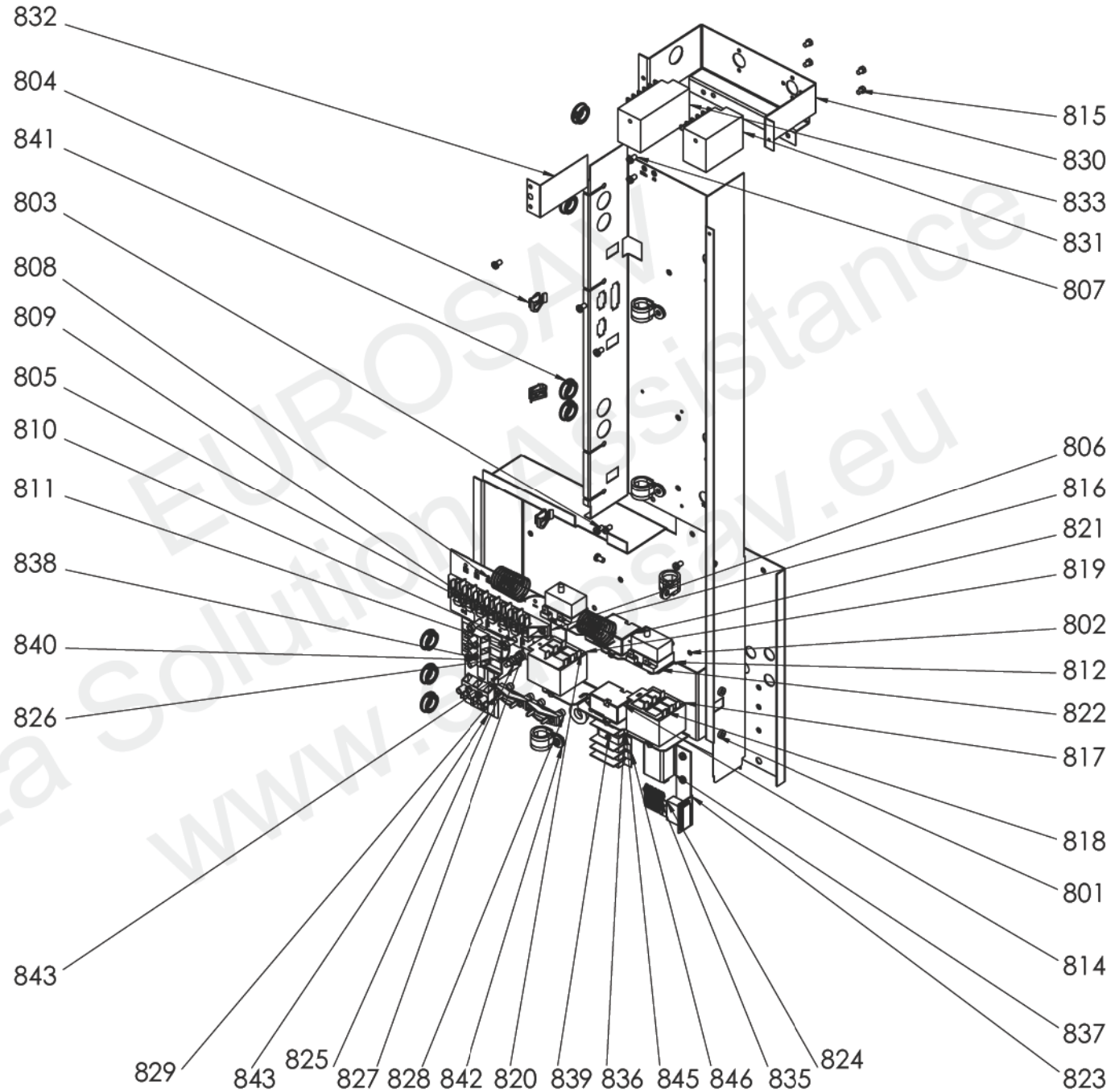


Not illustrated
834

AE1M232107 ELECTRICAL CHASSIS W. INDUCTION ASSEMBLY

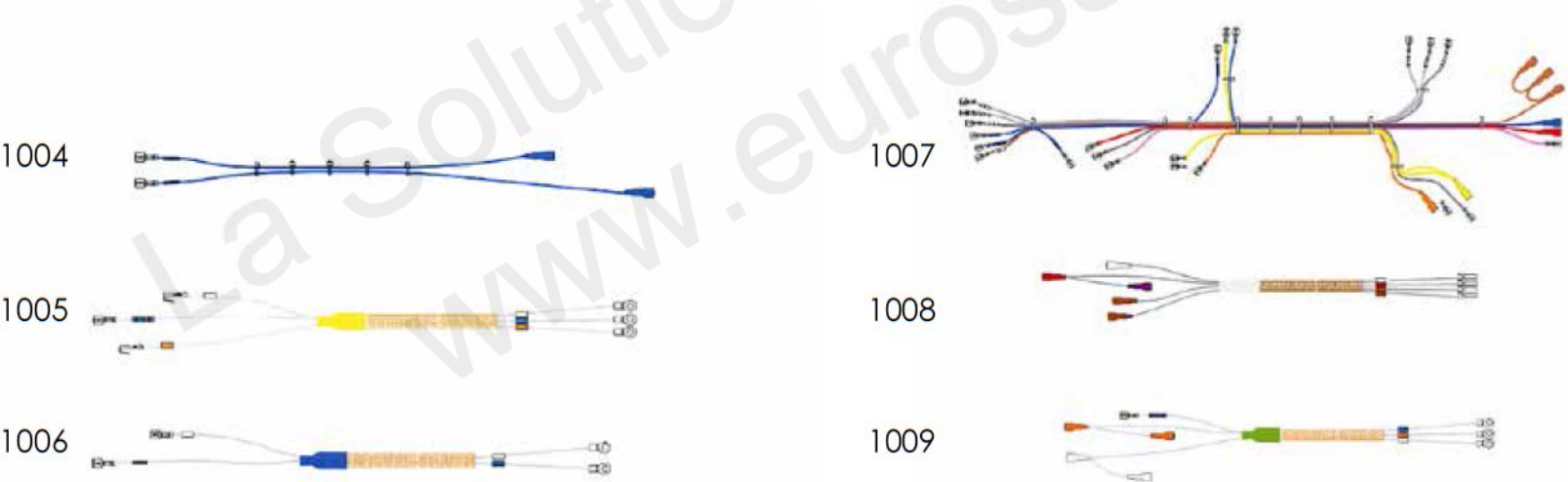
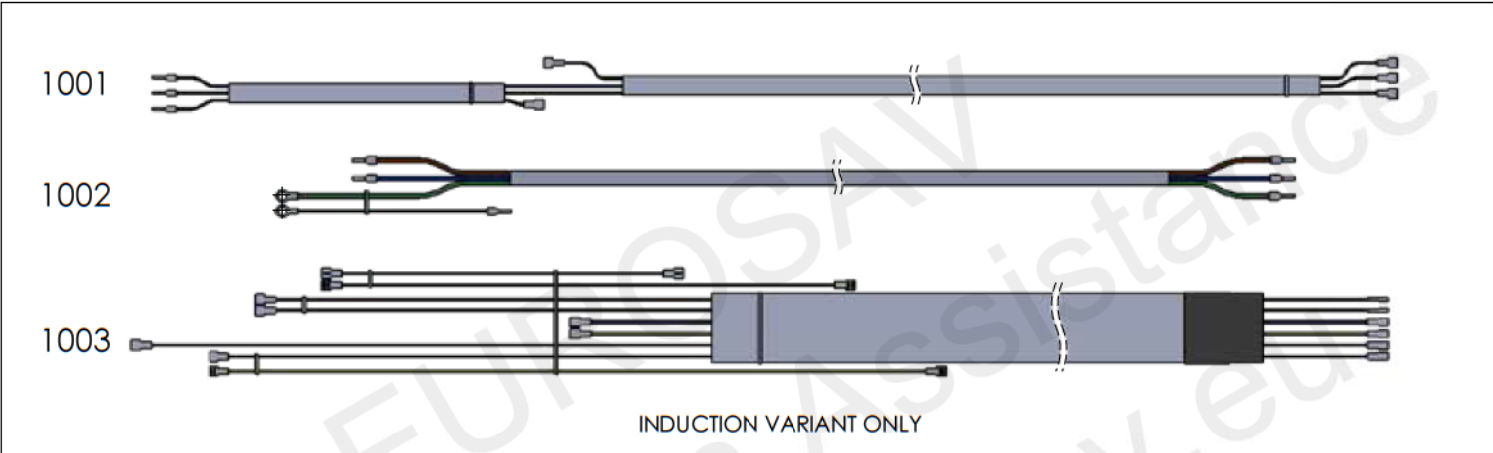
SPAR680001 P09

OPTION 2 - PARTIAL EXPLODED VIEW



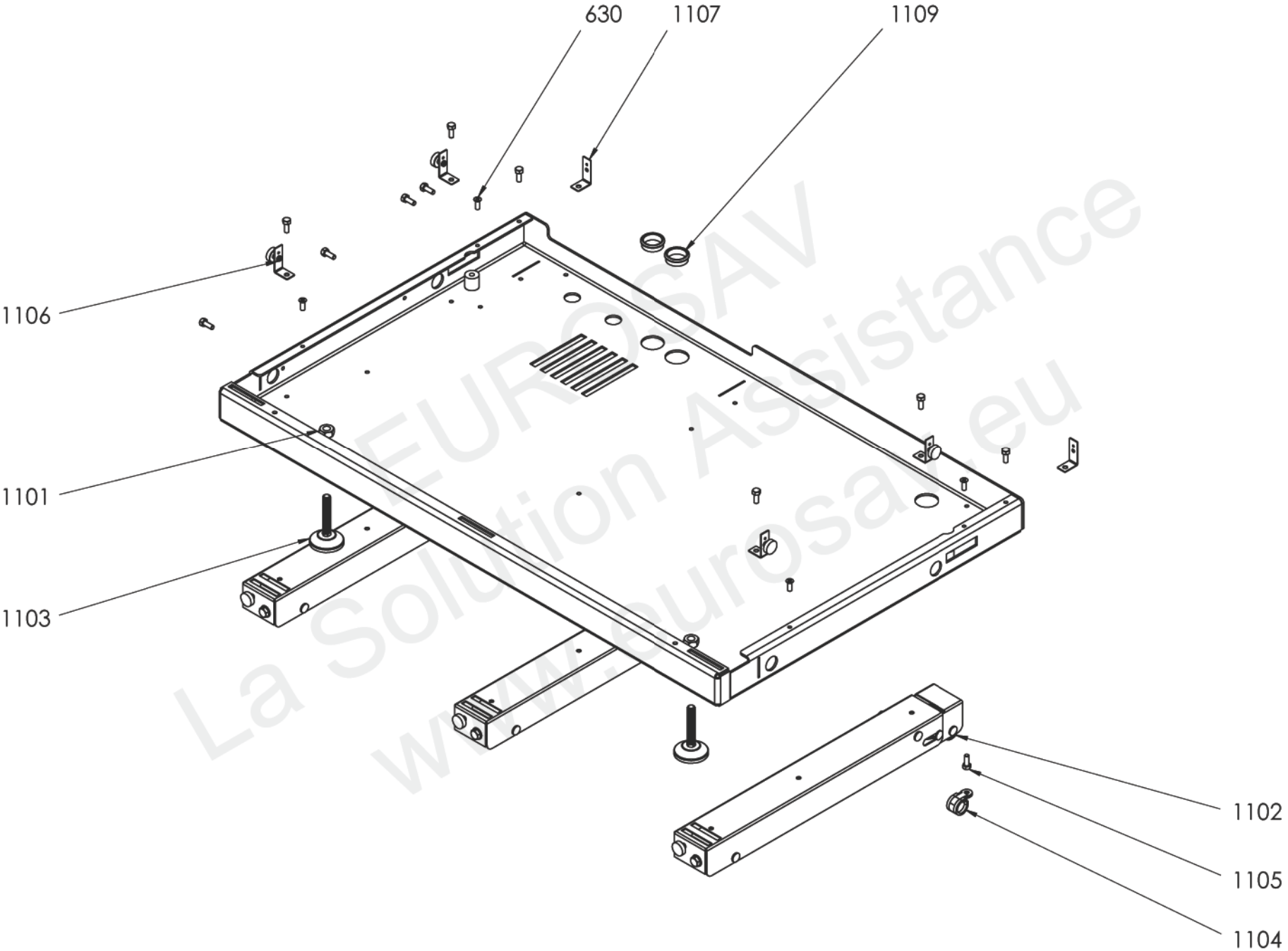
Not illustrated

- 813
- 834
- 847
- 936
- 937
- 938



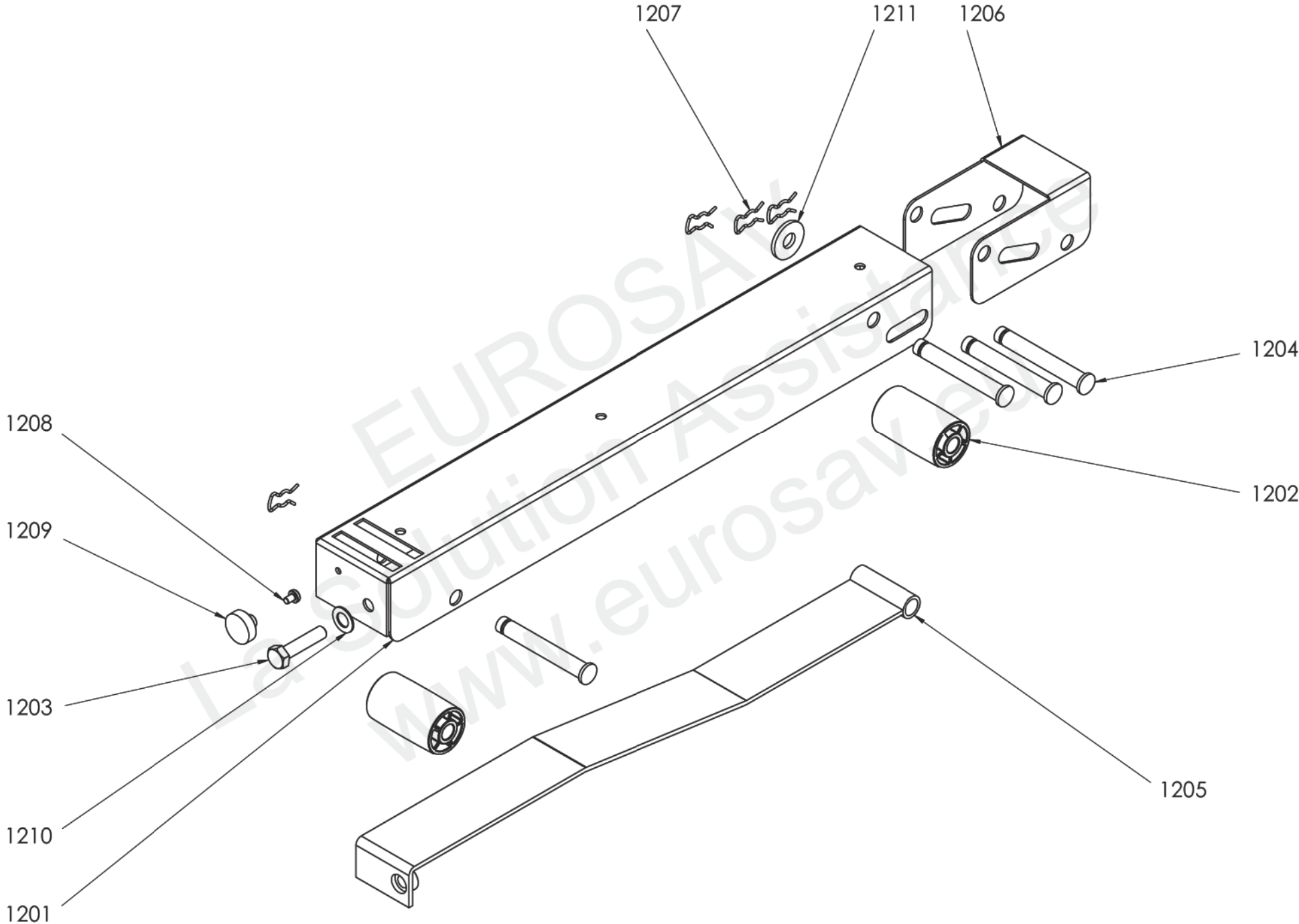
AE1M232256 eR3 100 BASE PLATE ASSEMBLY

SPAR680001 P11



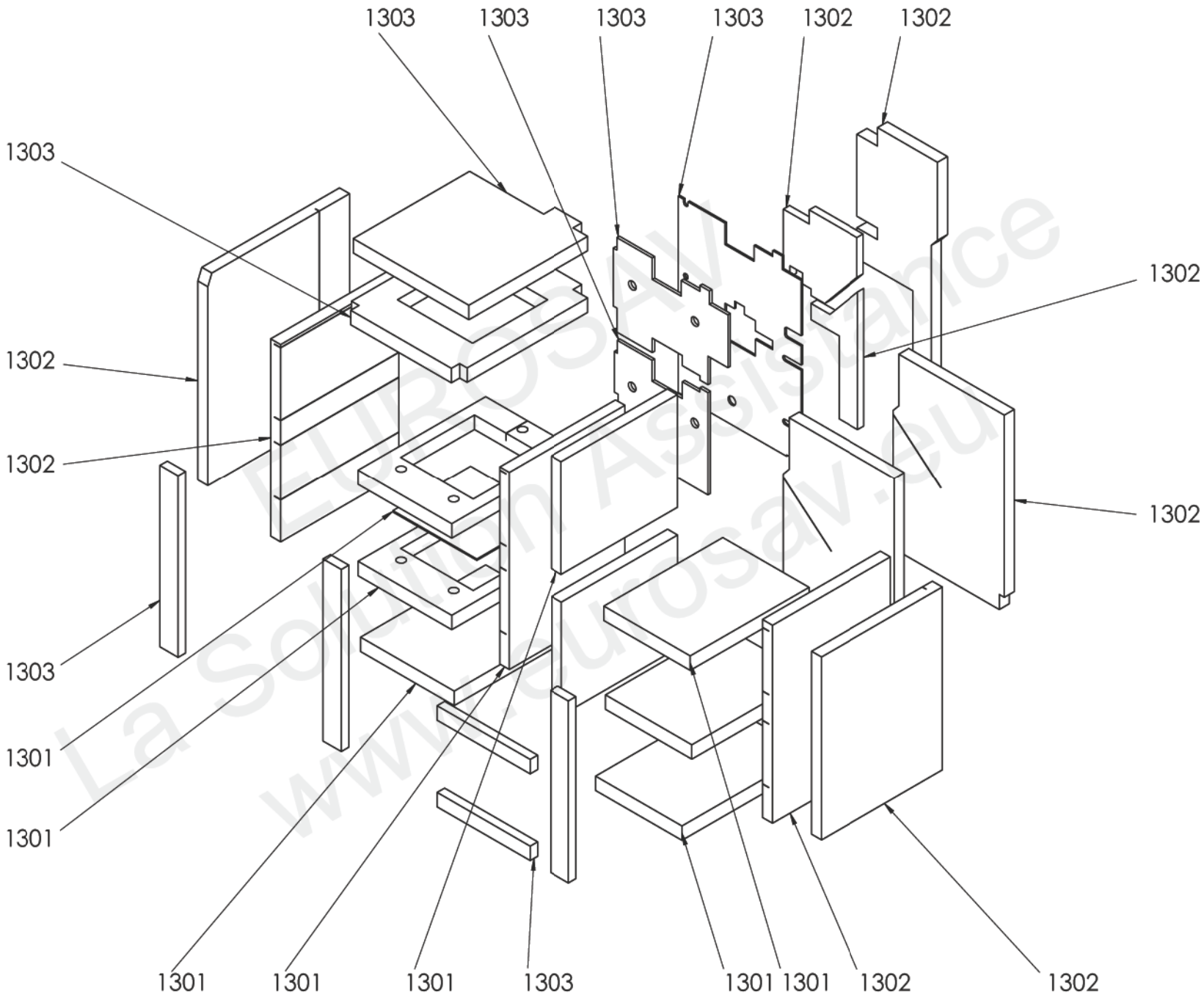
AE4M232147 WHEEL ASSEMBLY 60 (eR3)

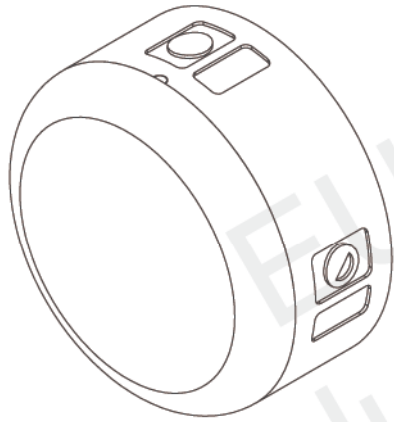
SPAR680001 P12



AE1M232254 eR3 100 INSULATION ASSEMBLY (ALL KITS)

SPAR680001 P13





111



110

EUROSAL
La Solution Assistance
www.eurosav.fr

