

EN WARRANTY CONDITION
This product is guaranteed for a period of 2 years from the date of purchase* against any failure resulting from a manufacturing or material defect. This warranty does not cover defects or damage resulting from incorrect installation, improper use or abnormal wear of the product.
*as shown on the sales receipt.

FR CONDITION DE GARANTIE
Ce produit est garanti pour une période de 2 ans à partir de la date d'achat*, contre toute défaillance résultant d'un vice de fabrication ou de matériau. Cette garantie ne couvre pas les vices ou les dommages résultant d'une mauvaise installation, d'une utilisation incorrecte ou de l'usure anormale du produit.
*sur présentation du ticket de caisse.

NL GARANTIEVOORWAARDEN
Dit product wordt gegarandeerd voor een periode van 2 jaar vanaf de aankoopdatum*, voor elke storing die het gevolg is van een fabricagefout of het materiaal. Gebreken of schade door slechte installatie, onjuist gebruik of abnormale slijtage van het product worden niet gedekt door deze garantie.
*op vertoon van kassabon.

ES CONDICIONES DE GARANTÍA
El certificado de garantía de este producto tiene una duración de 2 años a partir de la fecha de compra* que se limita a los defectos de fabricación y averías del material. Se excluyen de la garantía deficiencias o daños originados por una mala instalación, errores en la manipulación o por un uso inadecuado.
*previa presentación del comprobante de compra.

Fridge - freezer
Réfrigérateur - congélateur
Koelvrieskast
Frigorífico - congelador

979046 - SBS 442 E W742C
979048 - SBS 442 E X742C

INSTRUCTIONS FOR USE02
CONSIGNES D'UTILISATION22
GEBRUIKSAANWIJZINGEN42
INSTRUCCIONES DE USO62

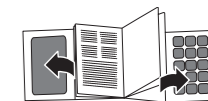
MADE IN PRC

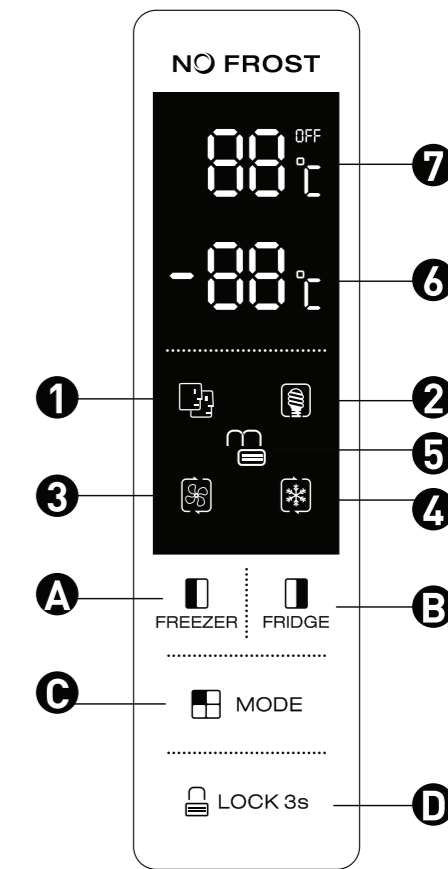
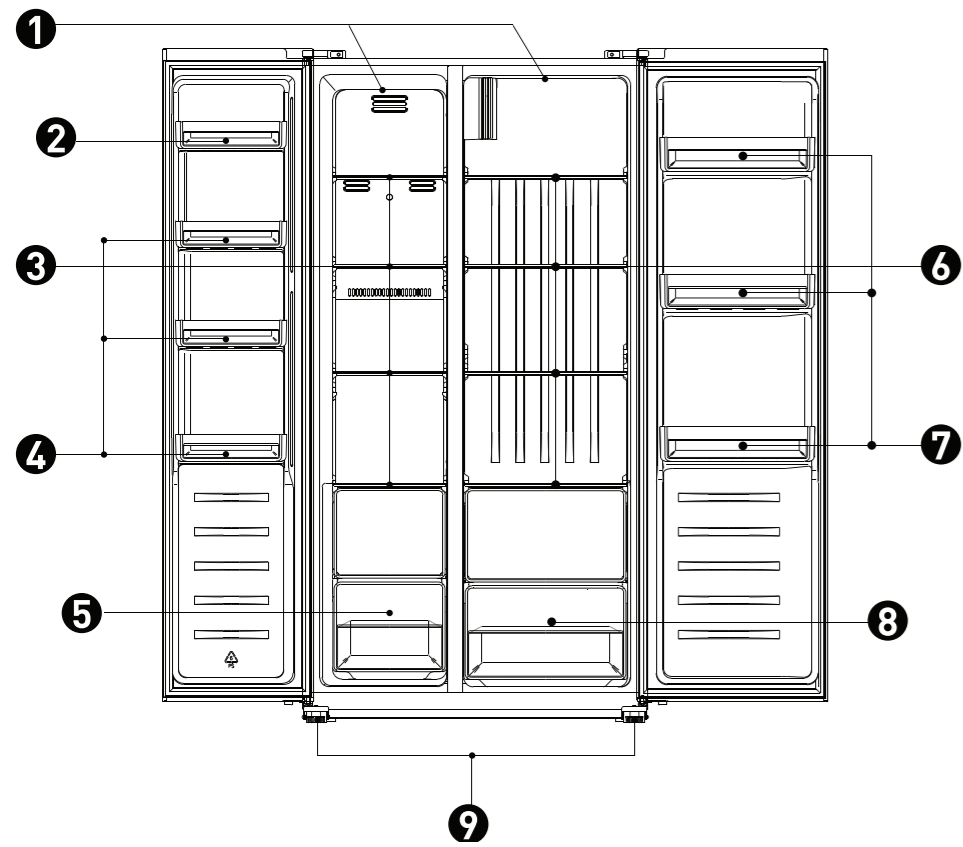
ELECTRO DEPOT
1 route de Vendeville
59155 FACHES-THUMESNIL
FRANCE



CKVBG-K05

VALBERG





Thanks!

Thank you for choosing this VALBERG product.
Chosen, tested and recommended by ELECTRO DEPOT,
VALBERG branded products are easy to use, reliable,
and of an impeccable standard.
With every use of this appliance, you can be sure of
complete satisfaction.

Welcome to ELECTRO DEPOT.

Visit our website: www.electrodepot.fr



ELECTRO DEPOT

A Overview of the appliance

Recommended ambient temperature
Temperature control adjustment
Description of the appliance
Control panel

B Using the appliance

Installation
Use
Useful hints and tips

C Useful information

Cleaning and maintenance
Troubleshooting
Disposing of your old appliance

Recommended ambient temperature

Install this appliance at a location where the ambient temperature corresponds to the climate class indicated on the rating plate of the appliance:

for refrigerating appliances with climate class:

- extended temperate: this refrigerating appliance is intended to be used at ambient temperatures ranging from 10 °C to 32 °C; (SN)
- temperate: this refrigerating appliance is intended to be used at ambient temperatures ranging from 16 °C to 32 °C; (N)
- subtropical: this refrigerating appliance is intended to be used at ambient temperatures ranging from 16 °C to 38 °C; (ST)
- tropical: this refrigerating appliance is intended to be used at ambient temperatures ranging from 16 °C to 43 °C; (T)

A multi-class appliance can handle the lowest and highest temperature of all classes covered. Using the appliance outside the recommended temperature range will lead to inferior performance and premature ageing.

Adjusting the thermostat

For optimal use and energy savings, adjust the temperature control(s) of the appliance according to the ambient temperature of the room, in which it is being used, and respect the climate class.

Refer to the product sheet to find out the climate class associated with the minimum and maximum recommended ambient temperatures for the appliance as well as the temperature setting recommended for storing food under optimal conditions.

The ambient temperatures in °C are given as a rough guide.

The set positions can be affected by the location of the appliance in the room, how often the door is opened or the load of food inside.

The temperature control position(s) may need to be changed to compensate for these factors.

Examples of locations:

- Unheated room in winter like a garage in a cold region.
- Kitchen/lounge area with normal heating.
- Room that is not air-conditioned in summer in a hot region.

Description of the appliance

- | | | | |
|---|---------------------------------------------------------------------------------------------|---|-------------------------|
| 1 | LED lighting | 6 | Refrigerator shelves |
| 2 | Door rack  | 7 | Refrigerator door racks |
| 3 | Freezer shelves | 8 | Refrigerator drawers |
| 4 | Freezer door racks | 9 | Adjustment foot |
| 5 | Freezer drawer(s) | | |

NOTE

The image opposite is provided for information purposes only. Your model may differ from the illustration.

Control panel

Buttons

- A** Press this button to set the freeze (left-hand side) compartment temperature from -14°C to 22°C
 - B** Press this button to adjust the temperature of the refrigeration compartment (right-hand side) between 2°C and 8°C in increments of 1°C . If you choose "OFF", the refrigeration compartment will be turned off
 - C** Press this button to select the operating mode: **SMART ECO**, **SMART COOLING**, **SUPERFREEZING** or **USER ADJUSTMENT** (no symbol displayed).
 - D** Press and hold this button for seconds to lock the other 3 buttons. Press this button for 1 second to unlock the other 3 buttons
- 1** In **SMART ECO** mode, the refrigerator automatically adjusts the temperature of the two compartments depending on the internal and ambient temperatures.
 - 2** In **SMART COOLING** mode, the refrigerator selects the setting which will consume the minimum amount of energy.
 - 3** In **SUPERFREEZING** mode, the cooling compartment operates at its lowest temperature for approximately 2 hours. After this time the temperature set before activating this mode is automatically re-established.
 - 4** In **USER ADJUSTMENT** mode, the freezing compartment operates at its lowest temperature for approximately 5 hours. At the end of this time, the temperature set before activating this mode is automatically re-established.
 - 5** **LOCK**, this symbol lights up if the buttons are locked
 - 6** Displays the temperature set for the freezer compartment
 - 7** Displays the temperature set for the refrigeration compartment

Whenever you see the door open icon, do not close completely or about 60 seconds, the appliance will sound an alarm. Close the refrigerator or the alarm will stop. If the door is not fully closed, the alarm will sound every 35 seconds until the doors are well closed.

If doors are open for 1 continuous minutes with out losing, the internal LED light will be turned off automatically.

Installation

NOTE

Follow the instructions provided in the corresponding paragraphs for all electrical connections.

- Unpack the appliance and check that it is not damaged. Do not connect the appliance if it is damaged. Notify the sales outlet from which you purchased the appliance immediately in case of damage. Keep the packaging in this case.
- We recommend waiting for at least four hours before connecting the appliance to allow the oil to return to the compressor.
- Make sure that air can circulate freely around the appliance to prevent overheating. Follow the installation instructions to guarantee sufficient ventilation.
- Wherever possible, the product spacers should be installed against a wall so that users are not at risk of touching or catching hot parts (compressor, condenser) and therefore not at risk of burns.
- The appliance must not be installed in the vicinity of radiators or cookers.
- Make sure that the mains socket remains accessible once the appliance has been installed.
- Any electrical operations required when maintaining the appliance should be carried out by a qualified electrician or other competent person.
- An approved maintenance centre should carry out maintenance on this appliance; Only original spare parts may be used.
- Do not put hot food in the appliance.
- Do not pile food up; this prevents the air from circulating properly;
- Make sure that food does not touch the back of the compartment(s).
- In the event of a power cut, do not open the door(s).
- Do not open the door(s) too often.

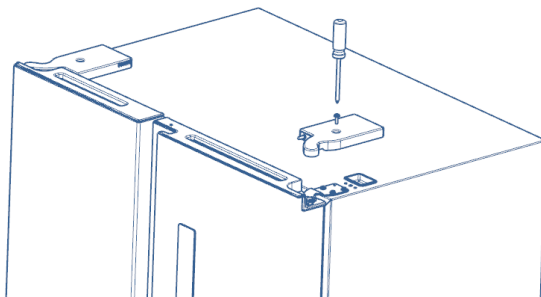
- Do not leave the door(s) open for too long.
- Do not adjust the thermostat to excessively cold temperatures.
- Certain accessories, such as the trays, can be removed to obtain a larger storage volume and consume less energy.

Removing the doors

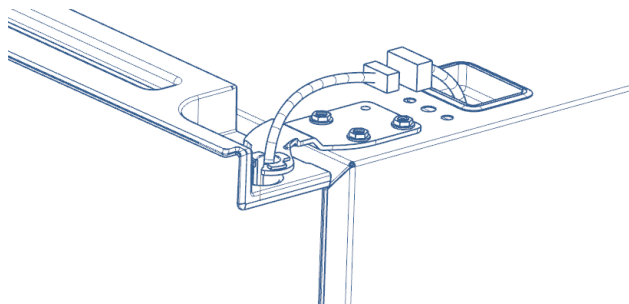
Tool required: cross-head screwdriver, flat screwdriver.

- Make sure that the appliance is unplugged and empty.
- To remove the door, you need to tilt the appliance backwards. It must rest on a solid surface, to prevent it sliding while the door is removed.
- All the parts that have been removed must be kept in a safe place so that the door can be replaced.
- Do not lie the appliance flat; this could damage the cooling system.
- It is preferable for 2 people to handle the appliance during assembly

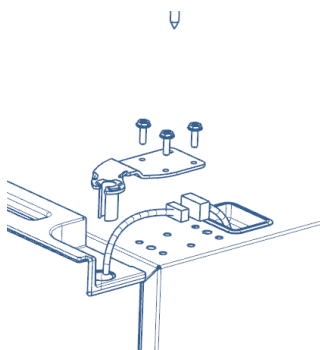
1. Unscrew the hinge cover using the cross-head screwdriver.



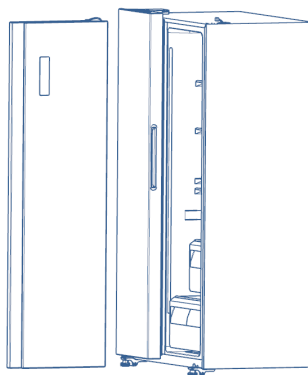
2. Disconnection the cable bundle.



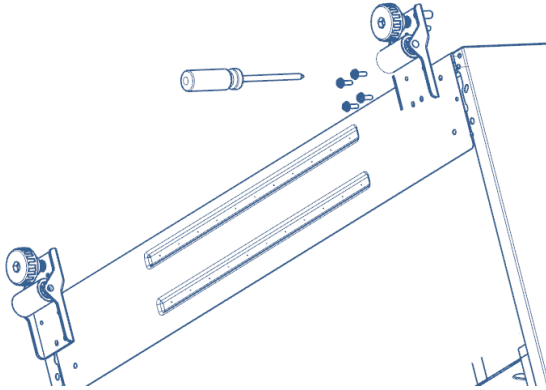
3. Unscrew the upper hinge.



4. Lift the door and place on a soft, padded surface. Then remove the other door following the same procedure.



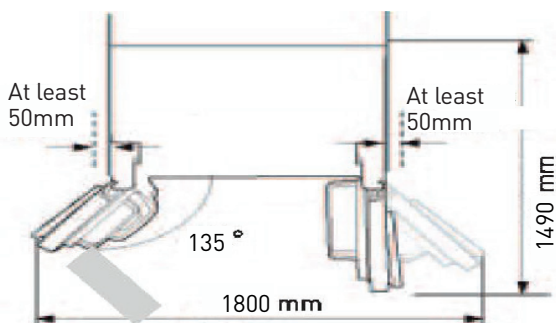
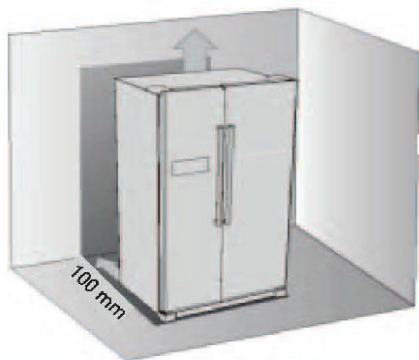
5. Unscrew the lower hinges.



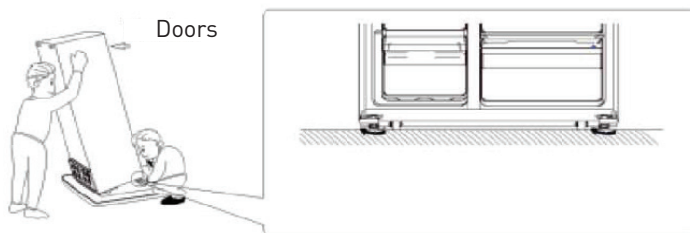
6. Once the appliance is in position, replace the doors following the procedure in reverse.

Space required

- Choose a location which is not directly exposed to sunlight.
- Make sure that sufficient space is available so that the doors can be opened easily.
- Choose a place in which the ground is level (or almost level).
- Make sure that there is sufficient space for the refrigerator to be installed on a level surface.
- Allow space to the right, left, rear and above the appliance when you install it. This will help to reduce its electricity consumption and thus your energy bills.



Levelling and stabilizing the refrigerator



- Level and stabilize the refrigerator by adjusting the feet.
- Turn the feet clockwise to raise them manually.
- Turn the feet anticlockwise to lower them manually.

Environment

Install this appliance in a place in which the ambient temperature corresponds to the climate class indicated on the nameplate.

Location

- The appliance must be installed at a distance from heat sources, such as radiators, boilers, direct sunlight, etc. Ensure that air can circulate freely at the rear of the appliance. If the appliance is positioned underneath a wall unit, the distance between the top of the appliance and the wall unit should be at least 100 mm for optimum efficiency. In as far as possible, it is always preferable not to position the appliance under wall cabinets. The appliance can be levelled precisely thanks to one or more adjustable feet at the bottom.

CAUTION

It must be possible to disconnect the appliance from the electricity supply; The plug must be easily accessible after installation.

Electrical connections

Before connecting the appliance, check that the voltage and frequency indicated on the nameplate correspond to your domestic power supply. The appliance must be earthed. There is a contact in the plug on the supply cable for this purpose. If your domestic power supply is not earthed, connect the appliance to the earth by another means according to the regulations in force and following the recommendations of a qualified electrician.

The manufacturer accepts no liability if the above-mentioned safety measures are not respected. The appliance is compliant with European directives.

Use

Before using the appliance for the first time

Cleaning the interior

Before using the appliance for the first time, wash the interior and all internal accessories with lukewarm water and a neutral soap to remove the characteristic odour of new products. Then dry thoroughly.

NOTE

Do not use abrasive powders or detergents as they will damage the finish of the appliance.

Daily use

Freezing fresh food

- The freezing compartment is used to freeze fresh food and to keep food frozen and deep-frozen for a long period of time.
- Place the fresh food that you wish to freeze in the lower compartment.
- The maximum quantity of food that can be frozen in 24 hours is indicated on the nameplate.
- The freezing process takes 24 hours; do not add any other food to be frozen during this period.

Storing deep-frozen food

When using for the first time or after an extended period of downtime, allow the appliance to run at the lowest temperature setting for at least 2 hours before placing products in the compartment.

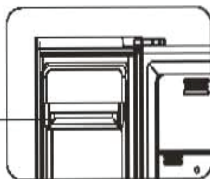
NOTE

In the event of accidental defrosting (for example, if the power is cut for a period longer than shown in the technical specifications table under the heading “Rise in temperature period”), the defrosted food must be eaten quickly or cooked immediately and then refrozen (after cooking).

CAUTION

The 2 star door rack, whose temperature is between -12° and -18° , is not suitable for storing ice-cream.

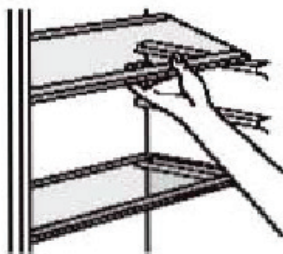
Door rack
2 stars

**Defrosting**

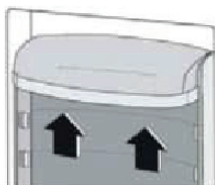
Frozen or deep-frozen food can be defrosted in the refrigeration compartment or at room temperature, depending on the time available, before they are used. Small amounts or pieces of food can be cooked from frozen as soon as they are taken out of the freezer. In this case, they will take longer to cook.

Accessories**Removable shelves**

The refrigerant walls are fitted with different runners so that you can position the shelves as you wish.

**Positioning the door racks**

The door racks can be positioned at different heights to allow you to store food packaging of different sizes. Follow the method outlined below to make these adjustments: pull the tray gradually in the direction of the arrows until this comes away completely. Then reposition these to suit your needs.



Useful hints and tips

Tips for freezing

Here is some important advice in order to optimise the freezing process:

- The maximum quantity of food that can be frozen in 24 hours is indicated on the nameplate.
- The freezing process lasts 24 hours. Additional food products should not be added during this period.
- You should only freeze fresh, perfectly clean, high-quality food products.
- Prepare small portions so that they can freeze through quickly and so that you have the option of only defrosting the quantity that you need.
- Wrap food in aluminium foil or cling film and make sure that the parcels are airtight.
- Do not allow fresh, unfrozen food to come into contact with food which is already frozen as this would increase the temperature of the latter.
- Food which is low in fat keeps better and for longer periods than fatty foods. Salt reduces the storage time of food.
- Ice cubes can cause burns linked to the cold if consumed straight from the freezer compartment.
- Frozen food can cause burns linked to the cold if consumed just after they have been removed from the freezer compartment.
- It is advisable to make sure that the date is visible on each individual frozen portion so that its storage time can be monitored.

Advice for the storage of frozen food.

To optimise the performance of this appliance, you must:

- Ensure that deep-frozen food products have been stored correctly by the retailer;
- Ensure that deep-frozen food is transferred from the food store to your freezer as quickly as possible;
- Avoid opening the door too often or leaving it open for longer than is necessary;
- Avoid re-freezing defrosted food, as it will spoil quickly;
- Avoid exceeding the use-by date indicated by the manufacturer.

Advice for the refrigeration of fresh food

For optimum performance:

- Do not put hot or liquid which evaporates into the refrigerator.
- Cover raw produce, particularly fresh seafood, with plastic wrap.

Refrigeration advice

Useful tips:

- Meat, poultry and fish should be wrapped in polythene bags and placed on the glass shelves above the vegetable compartment.
As a precaution, only keep food in this way for a maximum of one or two days.
- Canned goods, cold drinks, etc.: these products should be cooled and may be placed on any of the shelves.
- Fruits and vegetables: these products must be washed thoroughly and placed in the specific compartment(s) provided.
- Butter and cheese: these products must be placed in special, airtight containers or wrapped in aluminium foil or polythene bags to keep them as fresh as possible.
- Bottles of milk: these products must be fitted with a lid and kept in the door racks.
- Bananas, potatoes, onions and garlics should not be kept in the refrigerator unless they are wrapped.

Temperature Setting Recommendation

Environment Temperature	Temperature Setting
Thermostat setting for ambient T°C: NORMAL $\approx 24\text{ C} (\pm 4\text{ C})$	Fridge set on 3 C Freezer set on -18 C
Thermostat setting for ambient T°C: OLD $\approx +1\text{ C} (\pm 4\text{ C})$	Fridge set on 3 C Freezer set on -18 C
The thermostat setting for ambient T°C: WARM $\approx +32\text{ C} (\pm 4\text{ C})$	Fridge set on 3 C Freezer set on -19 C

Information above give users recommendation of temperature setting.

Impact on Food Storage

- Under Recommended setting, the best storage time of fridge is not more than 3 days.
- Under Recommended setting, the best storage time of freezer is not more than 1 month.
- The best storage time may reduce under other settings.

CAUTION

When you adjust the temperature, this will be an average temperature inside the entire refrigerator unit.

CAUTION

The temperatures inside each compartment may therefore differ from the temperature values indicated on the panel, depending on the quantity of food stored and the way it has been positioned. The ambient temperature may also cause the temperature inside the appliance to vary.

Cleaning and maintenance

For hygiene reasons, the interior of the appliance and its interior accessories should be cleaned regularly.

CAUTION



Risk of electric shock! The appliance must not be connected to the mains during cleaning. Before cleaning, switch off the appliance and disconnect the plug from the power supply or turn off the circuit breaker or remove the fuse.

CAUTION

Never clean the appliance using a steam cleaner. Moisture could accumulate in the electrical components which could create a risk of electric shock! Hot vapour could damage plastic parts. The appliance must be completely dry before it is switched on again.

CAUTION

Essential oils and organic solvents, such as lemon juice or juice from orange rind, butyric acid and cleaning products containing acetic acid can attack plastic parts.

- Do not allow these substances to come into contact with appliance parts.
- Do not use any abrasive product.
- Remove food from the freezer. Cover and place them in a cool place.
- Switch off the appliance and remove the mains plug or switch off the appliance and turn off the circuit breaker or remove the fuse.
- Clean the appliance and interior accessories using a cloth soaked in lukewarm water. After cleaning, rinse with clean water and dry with a cloth.
- Once everything is dry, you can switch the appliance back on again.

Troubleshooting

CAUTION

Disconnect the power supply before carrying out any repair work. Only an authorised electrician or other qualified individual may carry out repair work which is not described in this manual.

NOTE

Certain noises can be heard during normal use (compressor, coolant circulation).

NOTE

LED bulbs cannot be replaced by the user. Contact the after sales service in the event of a malfunction.

Problems	Potential causes	Solutions
The appliance does not work.	The mains plug is not connected or has not been inserted properly.	Insert the mains plug properly.
	The fuse has blown or is faulty.	Check the fuse and replace if necessary.
	The power point is faulty.	Malfunctions in the mains must be repaired by an electrician.
The food is too warm.	The temperature has not been adjusted properly.	Please consult the initial section relating to temperature adjustments.
	The door was left open for a prolonged period of time.	Do not leave the door open for longer than is necessary.
	A large amount of warm food has been placed in the appliance during the past 24 hours.	Set the appliance temporarily to a colder temperature.
	The appliance is near a heat source.	Please consult the section relating to the installation position of the appliance.
The appliance cools too much.	The temperature adjustment is too cold.	Turn the temperature button temporarily to a warmer setting.
Unusual noises.	The appliance is not straight.	Readjust the feet of the appliance.
	The appliance is touching the wall or other objects.	Shift the appliance slightly.
	A component, e.g. a pipe at the back of the appliance, has come into contact with another part of the appliance or the wall.	If necessary, bend the part carefully to move it away.
	The water outlet is blocked.	Refer to the "Cleaning and maintenance" chapter.
Presence of water on the floor.		
The side panels are hot.	This is normal. Heat is exchanged inside the side panels.	Wear gloves to touch the side panels if necessary.

If the malfunction persists, contact the maintenance centre.

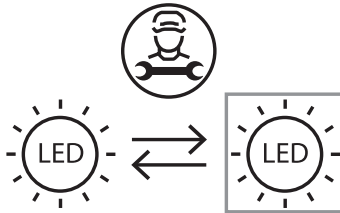
Changing the Light

This product contains a light source of energy efficiency class G.

Light source in this product can only be replaced by qualified professionals.

Please contact after-sales service if the light source fails.

The light source shall be removed at the end of the product's useful life, with sorting and recycling done separately.



Merci !

Merci d'avoir choisi ce produit VALBERG.
Choisis, testés et recommandés par ELECTRO DEPOT,
les produits de la marque VALBERG vous assurent
une utilisation simple, une performance fiable et
une qualité irréprochable.
Grâce à cet appareil, vous savez que chaque utilisation
vous apportera satisfaction.

Bienvenue chez ELECTRO DEPOT.

Visitez notre site Internet : www.electrodepot.fr
www.electrodepot.be

VOTRE AVIS COMPTE !



**PARTAGEZ
VOTRE EXPERIENCE
SUR LES PRODUITS**

Parce que votre satisfaction est notre priorité, nous vous proposons
de donner votre avis sur ce produit. Il sera transmis et analysé par
nos équipes afin d'améliorer continuellement le produit.

Donnez votre avis sur <http://www.electrodepot.fr/avis-client>



ELECTRO DEPOT

A

Aperçu de l'appareil

Températures ambiantes d'utilisation
Réglage du thermostat
Description de l'appareil
Panneau de commande

B

Utilisation de l'appareil

Installation
Utilisation
Trucs et astuces utiles

C

Informations pratiques

Nettoyage et entretien
Dépannage
Mise au rebut de votre ancien appareil

Les notices sont aussi disponibles sur le site
<http://www.electrodepot.fr/sav/notices/>
<http://www.electrodepot.be/fr/sav/notices>

Températures ambiantes d'utilisation

Installez cet appareil dans un endroit dont la température ambiante correspond à la classe climatique indiquée sur la plaque signalétique de l'appareil :

Pour les appareils de réfrigération dont la classe climatique est :

- tempérée élargie : cet appareil de réfrigération est conçu pour être utilisé à des températures ambiantes allant de 10 à 32 °C (SN) ;
- tempérée : cet appareil de réfrigération est conçu pour être utilisé à des températures ambiantes allant de 16 à 32 °C (N) ;
- subtropicale : cet appareil de réfrigération est conçu pour être utilisé à des températures ambiantes allant de 16 à 38 °C (ST) ;
- tropicale : cet appareil de réfrigération est conçu pour être utilisé à des températures ambiantes allant de 16 à 43 °C (T).

Un appareil multi-classes peut gérer la température la plus basse et la plus élevée de l'ensemble des classes couvertes. L'utilisation de l'appareil en dehors de la plage de température ambiante alterne ses performances et sa durée de vie.

Réglage du thermostat

Pour un usage optimal et des économies d'énergie, il est recommandé de régler le(s) thermostat(s) de l'appareil selon la température ambiante de la pièce d'utilisation et le respect de la classe climatique.


Veillez vous référer à la fiche produit pour connaître la classe climatique associée aux températures ambiantes minimales et maximales adaptées à l'appareil ainsi que le réglage de température recommandé pour un stockage optimisé des denrées alimentaires.

Les degrés des températures ambiantes T°C sont donnés uniquement à titre indicatif. L'emplacement dans la pièce, la fréquence d'ouverture de porte(s) ou encore le niveau de chargement en denrées alimentaires de l'appareil peuvent impacter les positions précisées. La ou les position(s) de thermostat(s) peut(ven)t devoir être modifiées pour compenser ces facteurs.

Exemples de pièce d'utilisation :

- Pièce non chauffée en hiver comme un garage dans une région froide.
- Pièce à vivre normalement chauffée comme une cuisine.
- Pièce non climatisée en été dans une région chaude.

Description de l'appareil

- | | |
|-----------------------------------------------------------------------------------------------|-------------------------------|
| ❶ Éclairage LED | ❹ Clayettes du réfrigérateur |
| ❷ Balconnet  | ❺ Balconnets du réfrigérateur |
| ❸ Clayettes du congélateur | ❻ Tiroir(s) du réfrigérateur |
| ❹ Balconnets du congélateur | ❼ Pied de réglage |
| ❺ Tiroir(s) du congélateur | |

REMARQUE

L'image ci-contre est fournie à titre indicatif uniquement.
Votre modèle peut différer de l'illustration.

anneau de commande

Boutons

- A** Appuyez sur ce bouton pour régler la température du compartiment de congélation (cô à gauche) de $-1\text{ }^{\circ}\text{C}$ à $-22\text{ }^{\circ}\text{C}$.
- B** Appuyez sur ce bouton pour régler la température du compartiment de réfrigération (côté droit) de $2\text{ }^{\circ}\text{C}$ à $8\text{ }^{\circ}\text{C}$ ou pour l'éteindre « OFF ». Si vous sélectionnez « OFF » (arrêt), le compartiment de réfrigération sera éteint.
- C** Appuyez sur ce bouton pour sélectionner le mode de fonctionnement : **MAR** » **ECO** , « **SUPER COOLING** , « **SUPER FREEZING** » ou **REGLAGES DE L'UTILISATEUR** (pas de symbole affiché).
- D** Appuyez sur ce bouton et maintenez-le enfoncé pendant quelques secondes pour verrouiller le 3^e bouton. Appuyez sur ce bouton pendant 1 seconde pour déverrouiller le 3^e bouton.

Affichage

- 1** En mode « **SMART** » (Intelligent), le réfrigérateur règle automatiquement la température des deux compartiments, en fonction de la température interne et de la température ambiante.
- 2** En mode « **ECO** » (Économique), le réfrigérateur sélectionne le réglage permettant une consommation d'énergie minimale.
- 3** Avec le mode « **SUPER COOLING** » (Super réfrigération), le compartiment de réfrigération fonctionne à sa température la plus basse pendant environ 2,5 heures. La fonction reprendra la température qui était réglée avant d'activer ce mode automatiquement rétablie.
- 4** Avec le mode « **SUPER FREEZING** » (Super congélation), le compartiment de congélation fonctionne à sa température la plus basse pendant environ 5 heures. À l'indication, la température est automatiquement rétablie.
- 5** « **LOCK** » (Verrouillage) : les symboles des boutons sont verrouillés.
- 6** Affiche la température réglée pour le compartiment de congélation.
- 7** Affiche la température réglée pour le compartiment de réfrigération.

Alarme d'ouverture de porte

Lorsqu'une porte reste ouverte ou n'est pas complètement fermée pendant plus de 60 secondes, l'appareil émet une alarme sonore. Fermez les portes du réfrigérateur pour que cette alarme s'arrête.

Si la porte n'est pas correctement fermée, l'alarme retira toutes les 5 secondes jusqu'à ce que les portes soient refermées.

Si les portes restent ouvertes pendant 1 minute, l'affilée s'arrêtera, la lampe LED interne s'éteindra automatiquement.

Installation

REMARQUE

Pour tous les branchements électriques, veuillez suivre attentivement les instructions données dans les paragraphes correspondants.

- Déballer l'appareil et vérifier qu'il n'est pas endommagé. N'branchez pas l'appareil s'il est endommagé. Signalez immédiatement tout dommage éventuel au point de vente où vous avez acheté l'appareil. Dans ce cas, conservez l'emballage.

Il est conseillé d'attendre au moins quatre heures avant de brancher l'appareil pour permettre à l'huile de reposer dans le compresseur.

- Il convient d'assurer une bonne circulation de l'air autour de l'appareil afin d'éviter toute surchauffe. Pour garantir une évacuation suffisante, veuillez suivre les consignes d'installation.

Dans la mesure du possible, évitez de placer l'appareil devant des produits qui doivent être installés contre un mur pour que les utilisateurs n'arrivent pas à toucher eux-mêmes la haute ou de s'y accrocher (compresseur, condensateur et ainsi éviter toute brûlure).

- L'appareil ne doit pas être installé à proximité de radiateurs, ni de cuisinières.
- Assurez-vous que la prise secteur est accessible une fois l'appareil installé.

Entretien

- Toute opération électrique se réalise dans le cadre de l'entretien et l'appareil doit être effectué par un électricien qualifié ou une autre personne compétente.
- L'entretien de cet appareil doit être effectué par un Centre de service agréé ; seules des pièces de rechange d'origine doivent être utilisées.

Économie d'énergie

Ne placez pas d'objets chauds dans l'appareil.

N'entassez pas la nourriture ; cela empêche la bonne circulation de l'air.

- Assurez-vous que les aliments ne touchent pas l'arrière du/des compartiment(s).
- En cas de coup de réfrigérateur, n'ouvrez pas la/les porte(s).
- N'ouvrez pas la/les porte(s) fréquemment.

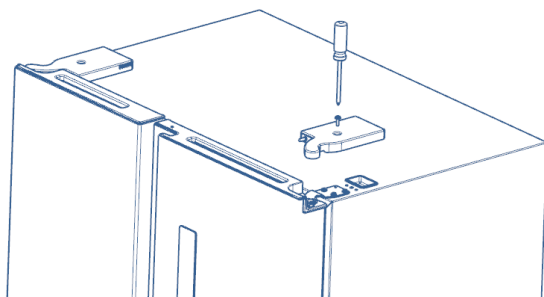
- Ne laissez pas la/les porte(s) ouverte(s) pendant trop longtemps.
- Ne réglez pas le thermostat sur des températures trop froides.
- Certains accessoires, comme les bacs, peuvent être retirés afin d'obtenir un plus grand volume de rangement et de consommer moins d'énergie.

Retrait des portes

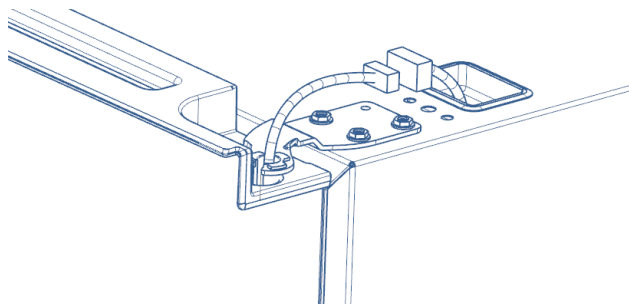
Outil requis : tournevis cruciforme, tournevis plat.

- Assurez-vous que l'appareil est débranché et vide.
- Pour retirer la porte, il est nécessaire d'incliner l'appareil vers l'arrière. Il doit reposer sur une surface solide, pour éviter qu'il ne glisse pendant le retrait de la porte.
- Toutes les pièces retirées doivent être conservées pour la réinstallation de la porte.
- Ne couchez pas l'appareil ; cela risque d'endommager le système réfrigérant.
- Il est préférable que 2 personnes manipulent l'appareil lors du montage.

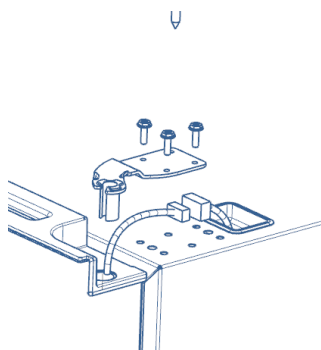
1. Dévissez le cache de la charnière à l'aide du tournevis cruciforme.



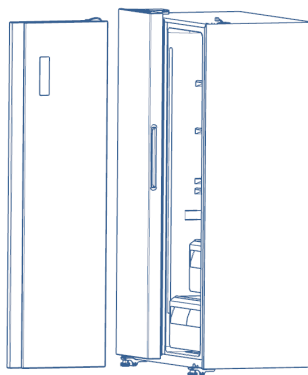
2. Débranchez le faisceau électrique.



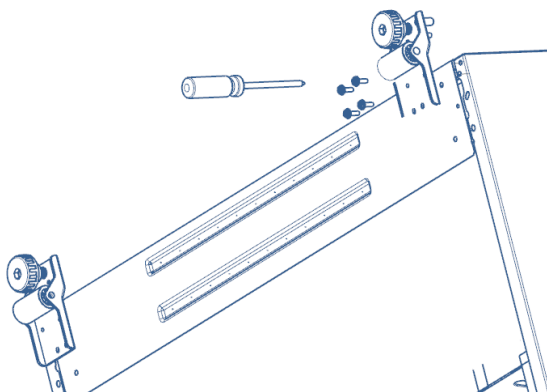
3. Dévissez la charnière supérieure.



4. Soulevez la porte et placez-la sur une surface douce et rembourrée. Retirez ensuite l'autre porte en suivant la même procédure.



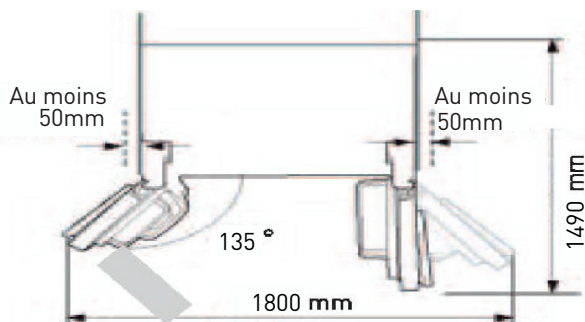
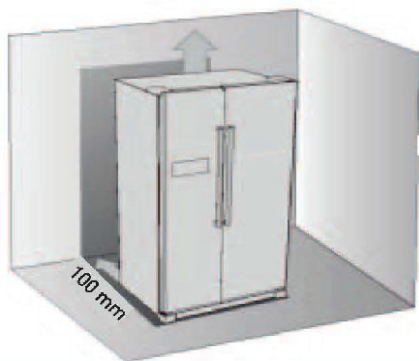
5. Dévissez les charnières inférieures.



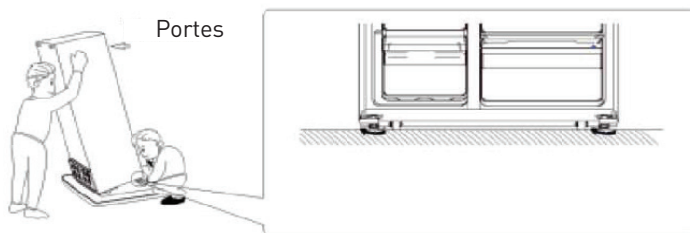
6. Une fois l'appareil en place, installez à nouveau les portes en suivant la procédure inverse.

Espace requis

- Choisissez un emplacement qui n'est pas directement exposé à la lumière du soleil.
- Veillez à prévoir suffisamment de place pour pouvoir facilement ouvrir les portes du réfrigérateur.
- Sélectionnez un endroit dont le sol est plat (ou presque plat).
- Prévoyez suffisamment de place pour installer le réfrigérateur sur une surface plane.
- Laissez de l'espace sur la droite, la gauche, à l'arrière et au-dessus de l'appareil lorsque vous l'installez. Ceci contribuera à diminuer sa consommation électrique et à alléger vos factures énergétiques.



Mise à niveau et stabilisation du réfrigérateur



- Mettez à niveau et stabilisez le réfrigérateur en réglant ses pieds.
- Tournez les pieds dans le sens des aiguilles d'une montre pour les relever manuellement.
- Tournez les pieds dans le sens inverse des aiguilles d'une montre pour les abaisser anuellement.

Environnement

Installez l'appareil dans un endroit où la température ambiante correspond à la classe climatique indiquée sur la plaque signalétique de l'appareil.

Emplacement

• L'appareil doit être installé à bonne distance des sources de chaleur, comme les radiateurs, les chaudières, la lumière directe du soleil, etc. Veillez à ce que l'air puisse circuler librement à l'arrière de l'appareil. Pour un fonctionnement optimal, si l'appareil est placé sous un élément mural, la distance entre Le haut de l'appareil et l'élément mural doit être d'au moins 100 mm. Dans la mesure du possible, il est toutefois préférable de ne pas positionner l'appareil sous des éléments muraux. Une mise à niveau précise est possible grâce à un ou plusieurs pieds réglables situés au bas de l'appareil.

ATTENTION

Il doit être possible de débrancher l'appareil de la prise de courant ; la prise doit donc rester facilement accessible après l'installation.

Branchements électriques

Avant de brancher l'appareil, assurez-vous que la tension et la fréquence indiquée sur la plaque signalétique correspondent à celle de l'alimentation électrique de votre logement. L'appareil doit être relié à La terre. La fiche du câble d'alimentation présente un contact à cet effet. Si la prise de votre alimentation électrique n'est pas raccordée à la terre, raccordez l'appareil à une ligne de terre distincte conforme aux réglementations en vigueur, en faisant appel à un électricien qualifié.

Le fabricant décline toute responsabilité en cas de non respect des précautions de sécurité ci-dessus.

L'appareil est conforme aux directives CEE.

Utilisation

Avant la première utilisation de l'appareil

Nettoyage de l'intérieur

Avant d'utiliser l'appareil pour la première fois, lavez l'intérieur et tous les accessoires internes avec de l'eau tiède et un savon neutre, de manière à éliminer l'odeur caractéristique des appareils neufs. Séchez-les ensuite complètement.

REMARQUE

N'utilisez pas de détergents ou de poudres abrasives, car ces derniers endommageraient la finition de l'appareil.

Utilisation quotidienne

Congélation de denrées alimentaires fraîches

- Le compartiment congélateur convient pour congeler des denrées alimentaires fraîches et conserver de la nourriture congelée ou surgelée pendant une période prolongée.
- Placez les aliments frais que vous souhaitez congeler dans le compartiment inférieur.
- La quantité maximale d'aliments qu'il est possible de congeler en 24 heures est indiquée sur la plaque signalétique.
- La procédure de congélation dure 24 heures : n'ajoutez pas d'autres denrées à congeler au cours de cette période.

Conservation d'aliments surgelés

Lors de la première utilisation ou après une période d'inutilisation prolongée, avant de placer des produits dans le compartiment, laissez l'appareil fonctionner pendant au moins 2 heures en le réglant sur la température la plus basse.

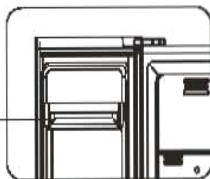
REMARQUE

En cas de décongélation accidentelle (par exemple, si le courant a été coupé pendant une durée supérieure à celle qui est indiquée dans le tableau des caractéristiques techniques dans la rubrique « Durée de montée en température »), les aliments décongelés doivent être consommés rapidement, ou cuits immédiatement et ensuite recongelés (après cuisson).

ATTENTION

Le balconnet 2 étoiles, dont la température est comprise entre -12° et -18° , ne convient pas pour la conservation de glaces.

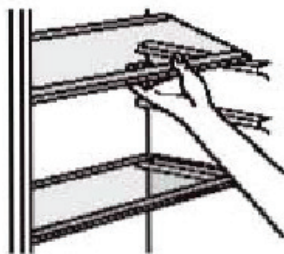
Balconnet
2 étoiles

Décongélation

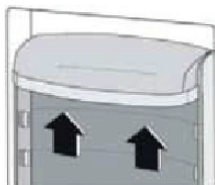
Avant d'utiliser la nourriture surgelée ou congelée, celle-ci peut être décongelée dans le compartiment du réfrigérateur ou à température ambiante, selon le temps dont vous disposez pour cette opération. De petites portions peuvent même être cuisinées alors qu'elles sont encore congelées, dès leur retrait du congélateur. Dans ce cas, leur cuisson prendra plus de temps.

AccessoiresClavettes amovibles

Les parois du réfrigérateur sont équipées de diverses glissières pour vous permettre de positionner les clayettes à votre convenance.

Positionnement des balconnets de porte

Pour pouvoir ranger des conditionnements alimentaires de tailles variées, les balconnets de porte peuvent être positionnés à différentes hauteurs. Pour effectuer ces ajustements, procédez comme suit : tirez progressivement le balconnet dans les sens des flèches, jusqu'à le sortir entièrement. Ensuite repositionnez-le à votre convenance.



Trucs et astuces utiles

Conseils pour la congélation

Pour optimiser le processus de congélation, voici quelques conseils importants :

- La quantité maximale d'aliments pouvant être congelée en 24 heures est indiquée sur la plaque signalétique.
- Le processus de congélation dure 24 heures. Il convient de ne pas ajouter d'autres denrées alimentaires au cours de cette période.
- Ne congelez que des denrées alimentaires fraîches, de qualité irréprochable et parfaitement propres.
- Préparez de petites portions pour qu'elles puissent congeler intégralement et rapidement et pour ensuite pouvoir décongeler uniquement la quantité requise.
- Emballez la nourriture dans du papier d'aluminium ou du papier film et assurez-vous que les emballages sont hermétiques.
- Ne laissez pas des aliments frais non congelés entrer en contact avec des aliments déjà congelés, car cela entraînerait une augmentation de la température de ces derniers.
- Les aliments maigres se conservent mieux et plus longtemps que les aliments gras. Le sel réduit la durée de conservation des aliments.
- S'ils sont consommés immédiatement après avoir été retirés du compartiment congélateur, les glaçons sont susceptibles de générer des brûlures par le froid.
- Les denrées congelées, à peine retirées du compartiment congélateur, peuvent générer des brûlures par le froid.
- Il est conseillé de laisser la date apparente sur chaque portion individuelle congelée afin de pouvoir suivre la durée de conservation.

Conseils pour la conservation de denrées congelées

Pour optimiser la performance de cet appareil, vous devez :

- vous assurer que les denrées alimentaires surgelées ont été correctement conservées par le détaillant ;
- vous assurer de transporter les aliments surgelés du magasin d'alimentation jusqu'à votre congélateur le plus rapidement possible ;
- ne pas ouvrir fréquemment la porte, ni la laisser ouverte plus longtemps que nécessaire ;

- Ne recongelez pas de la nourriture décongelée, car celle-ci s'abîme rapidement ;
- Ne dépassez pas la date de conservation indiquée par le fabricant des aliments.

Conseils pour la réfrigération de denrées fraîches

Pour obtenir une performance optimale :

- Ne rangez pas des aliments chauds ni des liquides qui s'évaporent dans le réfrigérateur.
- Couvrez ou emballez les aliments, particulièrement s'ils présentent une saveur prononcée.

Conseils pour la réfrigération

Astuces utiles :

- Assurez-vous emballez les denrées dans des sacs en polyéthylène et placez-les sur les étagères en verre, au-dessus du bac à légumes.
- Par précaution, ne conservez les aliments de cette manière qu'un jour ou deux tout au plus.
- Nourriture cuisinée, plats froids, etc. : ces derniers doivent être couverts et peuvent être placés sur n'importe quelle étagère.
- Fruits et légumes : ces derniers doivent être parfaitement lavés et placés dans le/les bac(s) spécifique(s) fourni(s).
- Beurre et fromage : ces derniers doivent être placés dans des récipients spéciaux, hermétiques à l'air, ou enveloppés dans du papier aluminium ou des sacs en polyéthylène afin d'exclure le maximum d'air possible.
- Bouteilles de lait : elles doivent être munies d'un bouchon et être rangées dans les balconnets de la porte.
- S'ils ne sont pas emballés, les bananes, les pommes de terre, les oignons et l'ail ne doivent pas être conservés au réfrigérateur.

Contrôler la température

Nous recommandons que lors de la première utilisation de votre réfrigérateur, la température du réfrigérateur soit réglée à 3°C et celle du congélateur à -18°C. Si le symbole OK n'apparaît pas à l'intérieur du réfrigérateur, baisser le thermostat à 2°C. Si vous désirez changer de température, veuillez suivre les instructions ci-dessous.

Recommandation de réglage de la température**Recommandation de réglage de la température****Température de l'environnement****Réglage de la température**

Réglage du thermostat pour T°C ambiante : NOR A E ≈ + 4° (± 4°C)	Réfrigérateur réglé sur 3 °C Congélateur réglé sur -18 °C
---------------------------------------------------------------------	--------------------------------------------------------------

Réglage du thermostat pour T°C ambiante : FR I E ≈ + 6° (± 4°C)	Réfrigérateur réglé sur 3 °C Congélateur réglé sur -18 °C
--------------------------------------------------------------------	--------------------------------------------------------------

Réglage du thermostat pour T°C ambiante : CH U E ≈ + 2° (± 4°C)	Réfrigérateur réglé sur 3 °C Congélateur réglé sur -19 °C
--------------------------------------------------------------------	--------------------------------------------------------------

Les informations ci-dessus fournissent aux utilisateurs des recommandations de réglage de la température.

Effets sur la conservation des aliments

- avec les réglages recommandés la durée de conservation optimale du réfrigérateur est de 3 jours au maximum.
- avec les réglages recommandés la durée de conservation optimale du congélateur est d'un mois au maximum.
- avec d'autres réglages la durée de conservation optimale peut être réduite.

ATTENTION

Lorsque vous réglez la température, il s'agit d'une moyenne de température dans l'ensemble de l'armoire du réfrigérateur.

ATTENTION

Les températures au sein de chaque compartiment peuvent donc différer des valeurs de température indiquées sur le panneau, selon la quantité de denrées entreposées et la façon dont vous les avez placées. La température ambiante peut aussi faire varier la température à l'intérieur de l'appareil.

Nettoyage et entretien

Pour des raisons d'hygiène, l'intérieur de l'appareil ainsi que ses accessoires intérieurs doivent être nettoyés régulièrement.

ATTENTION



Risque de choc électrique ! L'appareil ne doit pas être branché au secteur lors de son nettoyage. Avant tout nettoyage, éteignez l'appareil et retirez la fiche du secteur ou éteignez l'appareil et coupez le disjoncteur ou retirez le fusible.

ATTENTION

Ne nettoyez jamais l'appareil à l'aide d'un nettoyeur à vapeur. De l'humidité pourrait s'accumuler dans les composants électriques ; ce qui pourrait générer un risque de choc électrique ! Toute vapeur chaude est susceptible d'endommager les pièces en plastique. L'appareil doit être parfaitement sec avant de le remettre en service.

ATTENTION

Les huiles essentielles et les solvants organiques, comme le jus de citron ou le jus provenant de l'écorce d'orange, l'acide butyrique et les nettoyeurs contenant de l'acide acétique peuvent attaquer les pièces en plastique.

- Ne laissez pas de telles substances entrer en contact avec les pièces de l'appareil.
- N'utilisez pas de nettoyant abrasif.
- Retirez les aliments du congélateur. Placez-les dans un endroit frais, bien couverts.
- Éteignez l'appareil et retirez la fiche du secteur ou éteignez l'appareil et coupez le disjoncteur ou retirez le fusible.
- Nettoyez l'appareil ainsi que ses accessoires intérieurs à l'aide d'un chiffon imbibé d'eau tiède. Après nettoyage, essuyez à l'eau froide et séchez à l'aide d'un chiffon sec.
- Une fois que tout est bien sec, vous pouvez remettre l'appareil en service.

Dépannage

ATTENTION

Avant tout dépannage, coupez l'alimentation électrique. Seul un électricien qualifié ou une personne compétente doit effectuer le dépannage qui n'est pas décrit dans le présent manuel.

REMARQUE

Des bruits peuvent survenir lors de l'utilisation normale (compresseur, circulation du réfrigérant).

REMARQUE

Les ampoules LED ne sont pas remplaçables par l'utilisateur. En cas de dysfonctionnement veuillez vous rapprocher du service après-vente.

Problèmes	Causes potentielles	Solutions
L'appareil ne fonctionne pas.	La fiche secteur n'est pas branchée ou n'est pas correctement insérée.	Insérez correctement la fiche secteur.
	Le fusible a sauté ou est défectueux.	Vérifiez le fusible et remplacez-le si nécessaire.
	La prise de courant est défectueuse.	Les dysfonctionnements du secteur doivent être corrigés par un électricien.
Les denrées alimentaires sont trop chaudes.	La température n'est pas correctement ajustée.	Veillez consulter le chapitre initial relatif au réglage de la température.
	La porte est restée ouverte pendant une période prolongée.	Ne laissez pas la porte ouverte plus longtemps que nécessaire.
	Une importante quantité de nourriture chaude a été placée dans l'appareil au cours des dernières 24 heures.	Placez temporairement la température sur un réglage plus froid.
	L'appareil se trouve à proximité d'une source de chaleur.	Veillez consulter le chapitre relatif à l'emplacement d'installation de l'appareil.
L'appareil refroidit trop.	Le réglage de la température est trop froid.	Tournez temporairement le bouton de la température sur un réglage moins froid.
Bruits inhabituels.	L'appareil n'est pas droit.	Réglez à nouveau les pieds de l'appareil.
	L'appareil touche le mur ou d'autres objets.	Déplacez légèrement l'appareil.
	Un composant, par ex. un tuyau à l'arrière de l'appareil, entre en contact avec une autre partie de l'appareil ou le mur.	Si nécessaire, courbez délicatement le composant de façon à libérer l'espace.
De l'eau coule au sol.	L'orifice d'évacuation d'eau est bouché.	Référez-vous au chapitre « Nettoyage et entretien ».
Les panneaux latéraux sont chauds.	Cela est normal. Des échanges thermiques se produisent à l'intérieur des panneaux latéraux.	Portez des gants pour toucher les panneaux latéraux si nécessaire.

Si le dysfonctionnement persiste, contactez le Centre d'entretien.

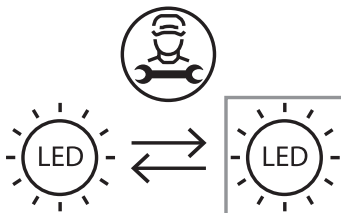
Remplacement de l'éclairage

Ce produit contient une source lumineuse de classe d'efficacité énergétique G.

La source lumineuse de ce produit ne peut être remplacée que par des professionnels qualifiés.

Veuillez-vous rapprocher du service après-vente en cas de défaillance de la source lumineuse.

Il convient de retirer la source lumineuse à la fin de la vie utile du produit, le tri et le recyclage étant effectués séparément.



Bedankt!

Proficiat met uw keuze voor een product van VALBERG. De selectie en de testen van de toestellen van VALBERG gebeuren volledig onder controle en supervisie van ELECTRO DEPOT. We staan garant voor de kwaliteit van de toestellen van VALBERG, die uitmunten in hun eenvoudig gebruik, hun betrouwbare werking en hun onberispelijke kwaliteit.

ELECTRO DEPOT beveelt de VALBERG toestellen aan en is ervan overtuigd dat u uiterst tevreden zal zijn bij elk gebruik van het toestel. Welkom bij ELECTRO DEPOT.

Bezoek onze website: www.electrodepot.be



ELECTRO DEPOT

A Overzicht van het toestel

Gebruiks- en omgevingstemperatuur
Instellen van de thermostaat
Beschrijving van het toestel
Bedieningspaneel

B Gebruik van het toestel

Installatie
Gebruik
Handige tips

C Praktische informatie

Reiniging en onderhoud
Probleemoplossing
Afdanken van uw oude toestel

Gebruiks- en omgevingstemperatuur

Installeer het toestel op een plaats waar de omgevingstemperatuur overeenkomt met de klimaatklasse die vermeld staat op het kenplaatje van het toestel:

voor koeltoestellen met klimaatklasse:

- uitgebreid gematigd: Dit koeltoestel werd ontworpen voor gebruik bij een omgevingstemperatuur van 10 tot 32° C (SN)
- gematigd: Dit koeltoestel werd ontworpen voor gebruik bij een omgevingstemperatuur van 16 tot 32° C (N)
- subtropisch: Dit koeltoestel werd ontworpen voor gebruik bij een omgevingstemperatuur van 16 tot 38° C (ST)
- tropisch: Dit koeltoestel werd ontworpen voor gebruik bij een omgevingstemperatuur van 16 tot 43° C (T)

Een toestel met multiklassen kan de laagste en hoogste temperatuur van alle gedekte klassen bereiken. Het gebruik van het toestel buiten dit omgevingstemperatuurbereik tast de prestaties en de levensduur van het toestel aan.

Instellen van de thermostaat

Voor een optimaal gebruik en energiebesparing, raden we aan de thermostaat van het toestel te regelen volgens de omgevingstemperatuur waarin het toestel gebruikt wordt onder voorbehoud van het naleven van de klimaatklasse(n).

Raadpleeg het productinformatieblad om de klimaatklasse te kennen die verbonden is aan de minimale en maximale omgevingstemperaturen aangepast aan het toestel, en voor de aanbevolen temperatuurinstelling voor een optimale opslag van de voedingswaren.

De graden van de omgevingstemperatuur T° C worden ter informatie gegeven.


De plaatsing in de ruimte, de frequentie van het openen van de deur(en) of de mate waarin het toestel met voedingsmiddelen is gevuld, kunnen de voormelde posities beïnvloeden.

De positie(s) van de thermostaat (thermostaten) kan (kunnen) worden aangepast om deze factoren te compenseren.

Voorbeelden van de ruimte waarin het toestel wordt gebruikt:

- Ruimte die niet verwarmd wordt in de winter, zoals een garage in een koude streek.
- Leefruimte die normaal verwarmd wordt, zoals een keuken.
- Ruimte zonder airco in de zomer in een warme streek.

Beschrijving van het toestel

- | | | | |
|---|-------------------------------------------------------------------------------------------|---|----------------------------|
| 1 | Led-verlichting | 6 | Koelkastrekjes |
| 2 | Deurbak  | 7 | Deurbakken van de koelkast |
| 3 | Diepvriesrekjes | 8 | Diepvrieslade(s) |
| 4 | Deurhakken van de diepvriezer | 9 | Verstelbare voet |
| 5 | Diepvrieslade(s) | | |

OPMERKING

De foto hiernaast is louter ter informatie. Uw model kan afwijken van de illustratie.

Bedieningspaneel

Knoppe

- A** Druk op de knop om de temperatuur van het diepvriescompartiment (linke kant) in te stellen tussen -14 en -22 °C.
- B** Druk op de knop om de temperatuur van het koelkastcompartiment (rechte kant) in te stellen tussen 2 en 8 °C of om de schelken ('FF'). Wanneer u 'OFF' kies, zal het koelkastcompartiment uitgeschakeld worden.
- C** Druk op de knop om de werkingmodus te selecteren: '**SMART**', '**ECO**', '**SUPER COOLING**', '**SUPER FREEZING**' of 'INSTELLING N AN DE GEbruIKER' (geen s mbool weergegeven).
- D** Druk op de knop om de houdeze gedurende 3 seconden ingedrukt om de 3 andere knoppen te vergrendelen. Druk gedurende 1 seconde op de knop om de 3 knoppen te ontgrendelen.

Weergav

- 1** In de '**SMART**' (intelligente) modus regelt de koelkast automatisch de temperatuur van de twee compartimenten, in functie van de binnentemperaturen de omgevingstemperatuur.
- 2** In de '**ECO**' (zuinige) modus selecteert de koelkast de instelling die een minimaal energieverbruik mogelijk maakt.
- 3** Met de '**SUPER COOLING**' [superkoelings-] modus werkt het koelkastcompartiment gedurende ongeveer 2, uur aan de laagste temperatuur. Na de tijd wordt automatisch teruggekeerd naar de temperatuur die ingesteld is voor het activeren van deze modus.
- 4** Met de '**SUPER FREEZING**' (superinvriezing -) modus werkt het diepvriescompartiment gedurende ongeveer 50 uur aan de laagste temperatuur. Na deze tijd wordt automatisch teruggekeerd naar de temperatuur die ingesteld is voor het activeren van deze modus.
- 5** '**LOCK**' (Vergrendeling: dit s mbool li ht op w nn er de knoppen vergrendeld zijn).
 - Toont de voor het diepvriescompartiment ingetelde temperatuur.
 - Toont de voor het koelkastcompartiment ingetelde temperatuur.

Alarm bij het openen van de deur

U hoeft een alarm signaal te zien de deur gedurende circa 60 seconden open wordt gehouden of niet volledig dicht is. Sluit de koelkast deur om het alarm te stoppen.

Al de deur niet goed dicht is dan zal het apparaat elke 35 seconden afgaan totdat de deuren goed dicht zijn.

Als de deuren gedurende 10 minuten open zijn, dan wordt de interne ledverlichting automatisch uitgezet.

Installatie

OPMERKING

Gelieve voor alle elektrische aansluitingen aandachtig de instructies in de desbetreffende paragrafen te lezen.

- Haal het toestel uit de verpakking en controleer of het niet beschadigd is. Sluit het toestel niet aan wanneer het beschadigd is. Meerdere schakelaars onmiddellijk naar het verkooppunt waar u het toestel gekocht heeft. Bewaar in dat geval de verpakking.

Werk dan aan ten minste vier uur te wachten alvorens het toestel aan te sluiten op de olie naar de compressor te laten terugvloeien

- Het is nodig een goede luchtcirculatie rond het toestel te voorzien om oververhitting te voorkomen. Geef de installatie- instructies te volgen om voldoende verlichting te verzekeren.
- In de afstanden van het toestel tot de afstandsbediening van het product, geen muur geplaatst worden zodanig dat de afstandsbediening de warmte afgeeft en niet kan aanraken of ervaart aan komen te zitten (compressor, condensator) en zo alle brandstoffen te voorkomen.
- Het toestel mag niet in de buurt van adalatoren of fornuizen geplaatst worden
- Vergeet niet eraan dat het topcontact tegengelijk bij zodra het toestel geplaatst is.

Onderhoud

- Elke elektrische handeling die vereist is, moet door de afzonderlijke onderhoudersonderzoeken worden uitgevoerd door een geschoold elektricien of een ander bevoegd persoon.
- Het toestel moet worden onderhouden door een erkend Onderhoudscentrum; en het originele gereedschap moet worden gebruikt.

Energiebesparing

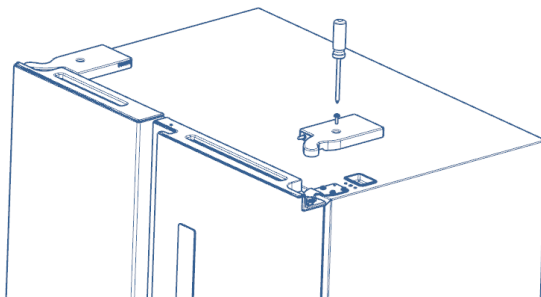
- Plaats geen warme voorwerpen in het toestel.
- Stop de ventilator niet op; dit verhindert de goede luchtcirculatie.
- Controleer of de deuren goed dicht zijn op de afstandsbediening(en) niet raken. Open de deur(en) niet bij een stroomonderbreking.
- Open de deur(en) niet te vaak.

- Laat de deuren] niet te lang openstaan.
- Stel de thermostaat niet in op te koude temperaturen.
- Bepaalde accessoires zoals bakken, kunnen verwijderd worden om een groter opbergvolume te krijgen en minder energie te verbruiken.

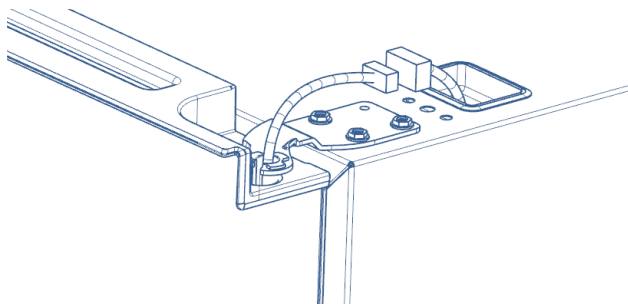
Verwijdering van de deuren

Vereist gereedschap: kruisschroevendraaier, platte schroevendraaier.

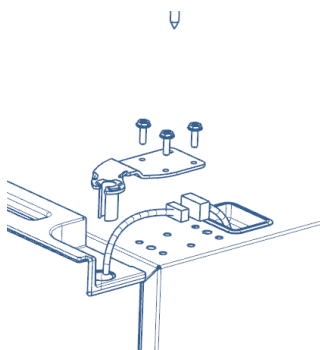
- Zorg ervoor dat de stekker uit het stopcontact werd getrokken en dat het toestel leeg is.
 - Om de deur te verwijderen, is het noodzakelijk het toestel naar achter te kantelen. Het toestel dient op een stevig oppervlak te rusten om te voorkomen dat het wegglijdt bij het verwijderen van de deur. Om de deur te verwijderen, is het noodzakelijk het toestel naar achter te kantelen. Het toestel dient op een stevig oppervlak te rusten om te voorkomen dat het wegglijdt bij het verwijderen van de deur.
 - Alle verwijderde elementen dienen bewaard te worden voor het hermonteren van de deur.
 - Leg het toestel niet neer; dit zou het koelsysteem kunnen beschadigen.
 - Monteer het toestel bij voorkeur met 2 personen.
1. Schroef de afdekking van het scharnier met behulp van de kruisschroevendraaier.



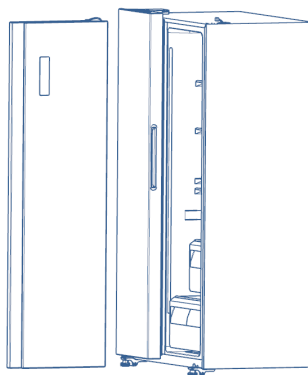
2. Maak de elektriciteitskabel los.



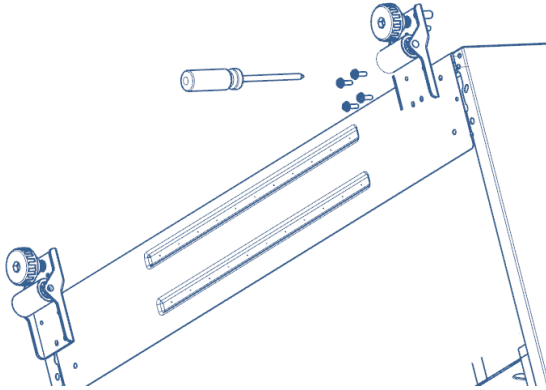
3. Schroef het bovenste scharnier los.



4. Til de deur op en plaats deze op een zacht en opgevuld oppervlak. Verwijder de andere deur door dezelfde procedure te volgen.



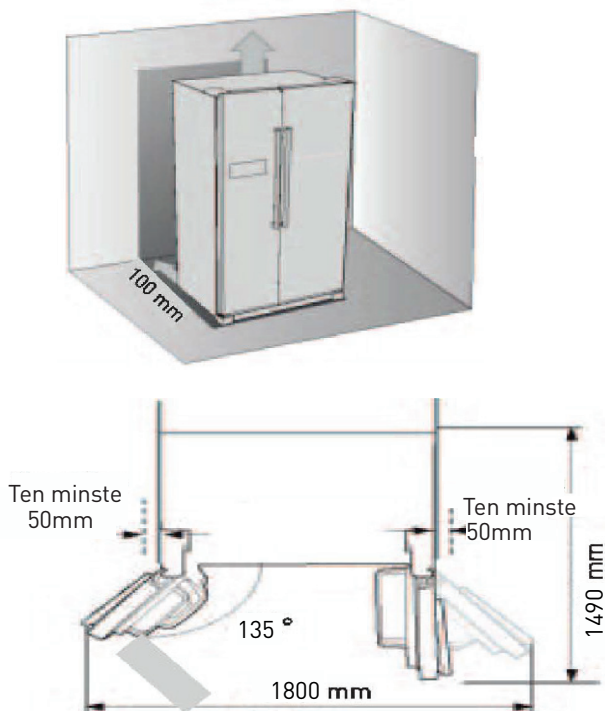
5. Schroef de onderste scharnieren los.



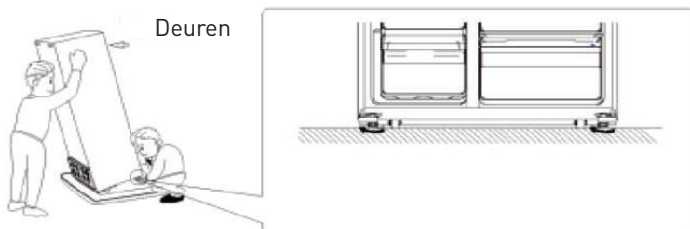
6. Zodra het toestel geplaatst is, installeert u de deuren opnieuw in omgekeerde volgorde.

Vereiste ruimte

- Kies een locatie die rechtstreeks blootgesteld wordt aan zonlicht.
- Let erop voldoende plaats te voorzien om de deuren van de koelkast makkelijk te kunnen openen.
- Kies een plek met een vlakke (of bijna vlakke) ondergrond.
- Voorzie voldoende plaats om de koelkast op een vlak oppervlak te installeren.
- Laat rechts, links, achter en boven het toestel voldoende plaats wanneer u het installeert. Dit zal ertoe bijdragen het elektriciteitsverbruik te verlagen en uw energiefactuur te verlichten.



Waterpas plaatsen en stabiliseren van de koelkast



- Zet de koelkast waterpas erin stabiliseer deze door de poten te verstellen.
- Draai de poten in wijzerzin om ze handmatig omhoog te plaatsen.
- Draai de poten in tegenwijzerzin om ze handmatig te laten zakken.

Omgeving

Plaats het toestel op een plek waar de omgevingstemperatuur overeenkomt met de klimaatsklasse die aangegeven wordt op het typeplaatje van het toestel.

Plaats

• Het toestel dient ver genoeg van warmtebronnen, zoals radiatoren, verwarmingsketels, direct zonlicht... geplaatst te worden. Let erop dat de lucht vrij achter het toestel kan circuleren. Voor een optimale werking van het toestel indien het onder een muurelement wordt geplaatst, bevindt de bovenkant van het toestel zich op ten minste 100 mm van het muurelement. In de mate van het mogelijke is het steeds wenselijk het toestel niet onder wandelementen te plaatsen. Het perfect waterpas plaatsen is mogelijk dankzij één of meerdere verstelbare poten aan de onderkant van het toestel.

OPGELET

Het dient mogelijk te zijn de stekker van het toestel uit het stopcontact te trekken; het stopcontact dient na de installatie makkelijk toegankelijk te blijven.

Elektrische aansluitingen

Alvorens het toestel aan te sluiten, vergewist u zich ervan dat de spanning en de frequentie die aangegeven worden op het typeplaatje overeenkomen met deze van de elektrische voeding van uw woning. Dit toestel dient geaard te worden. De stekker van de voedingskabel heeft hiervoor een contact. Wanneer het stopcontact van uw elektrische voeding niet op de aarding aangesloten is, sluit u het toestel aan op een afzonderlijke aardingslijn in overeenstemming met de geldende reglementen, door een beroep te doen op een ervaren elektricien.

De fabrikant kan geenszins aansprakelijk gesteld worden indien bovenstaande voorzorgsmaatregelen niet in acht genomen worden.

Dit toestel is conform de EEG-richtlijnen.

Gebruik

Vóór het eerste gebruik van het toestel

De binnenkant reinigen

Alvorens het toestel voor de eerste keer te gebruiken, wast u de binnenkant en alle interne accessoires met lauw water en een neutrale zeep, zodat u de typische geur van nieuwe toestellen verwijdert. Droog deze vervolgens volledig af.

OPMERKING

Gebruik geen schurende schoonmaakmiddelen omdat deze de afwerking van het toestel kunnen beschadigen.

Dagelijks gebruik

Invriezen van verse voedingsmiddelen

- Het diepvriescompartiment is geschikt voor het invriezen van verse voedingsmiddelen en het bewaren van diepgevroren en in bevroren voeding gedurende een lange periode.
- Zet de verse voeding die u wenst in te vriezen in het onderste compartiment.
- De maximale hoeveelheid voeding die in 2h uur ingevroren kan worden, wordt aangeduid op het typeplaatje.
- De invriesprocedure duurt 24 uur: voeg tijdens deze periode geen andere in te vriezen voedingsmiddelen toe.

Bewaring van diepgevroren voeding

Tijdens het eerste gebruik of na een lange periode van niet-gebruik Laat u het toestel ten minste 2 uur werken op de laagste stand, alvorens producten in het compartiment te plaatsen.

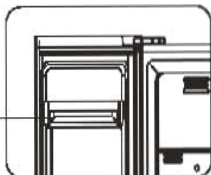
OPMERKING

In geval van accidentele ontdooiing (bijvoorbeeld wanneer de stroom voor een langere periode dan deze die werd aangegeven in de tabel met technische eigenschappen in de rubriek 'Duur van de temperatuurstijging'), dienen voedingsmiddelen snel opgegeten te worden of onmiddellijk bereid en daarna opnieuw ingevroren te worden.

OPGELET

De deurhakken met 2 sterren, waarvan de temperatuur tussen -12° en -18° is, zijn niet geschikt voor het bewaren van ijsjes.

Deurbak
2 sterren

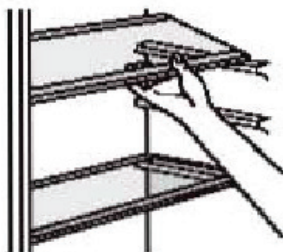
**Ontdooiing**

Alvorens diepgevroren of ingevroren voeding te gebruiken, kan deze ontdooid worden in het koelkastcompartiment of aan kamertemperatuur, naargelang de tijd die u hiervoor uitgetrokken heeft.

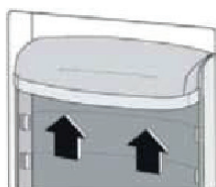
Kleine porties kunnen zelfs bereid worden, van zodra ze uit de diepvriezer gehaald worden, ook al zijn ze nog bevroren. In dit geval zal de bereiding meer tijd in beslag nemen.

Aecssairss**Afneembare rekjes**

De wanden van de koelkast zijn uitgerust met verschillende geleiders, waardoor u de rekjes zoals u wenst, kunt plaatsen.

**Plaatsing van de deurhakken**

Om voeding met verschillende omvang op te kunnen bergen, kunnen de deurhakken op verschillende hoogtes ingesteld worden. Om deze aanpassingen uit te voeren, gaat u als volgt te werk: trek de bak langzaam in de richting van de pijltjes tot deze er volledig uitgehaald is. Plaats deze vervolgens terug zoals u dat wenst.



Handige tips

Advies voor de invriezing

Ziehier enkele tips om het invriezingsproces optimaliseren:

- De maximale hoeveelheid voedingsmiddelen die in 24 uur bevroren kunnen worden, wordt aangegeven op het typeplaatje.
- Het invriezingsproces duurt 24 uur. Tijdens deze periode voegt u best geen andere voedingsmiddelen toe.
- Bevries enkel verse voedingsmiddelen van een onberispelijke kwaliteit die perfect schoon zijn.
- Bereid kleine porties die volledig en snel ingevroren kunnen worden en zodat u vervolgens enkel de vereiste hoeveelheid dient te ontdooien.
- Verpak de voeding in aluminiumfolie of papierfolie en zorg ervoor dat de verpakkingen hermetisch zijn.
- Laat de niet-ingevroren voeding niet in contact komen met reeds ingevroren voeding, want hierdoor zou de temperatuur van deze laatsten kunnen stijgen.
- Magere voedingsmiddelen bewaren beter en langer dan vette voedingsmiddelen. Zout verkleint de bewaaruur van de voeding.
- Wanneer ze onmiddellijk nadat u ze uit de diepvriezer haalde opgegeten worden, kunnen ijsjes ijsbrandwonden veroorzaken.
- Diepgevroren voedingsmiddelen die nog maar net uit het diepvriescompartiment komen, kunnen ijsbrandwonden veroorzaken.
- We raden aan de datum zichtbaar te laten op elke individueel ingevroren portie om de bewaringsduurte kunnen volgen.

Tips voor het bewaren van diepgevroren voeding

Om de prestatie van dit toestel te optimaliseren, dient u :

- te controleren of de diepgevroren voedingsmiddelen correct bewaard worden door ze te detailleren;
 - ervoor te zorgen de diepgevroren voeding zo snel mogelijk van de winkel naar uw diepvriezer te brengen;
 - de deur niet te vaak te openen en deze ook niet langer dan nodig open te laten staan.
- Ontdooide voeding niet opnieuw invriezen want deze zal snel slecht worden.
 - Overschrijd de bewaardatum die aangegeven wordt door de fabrikant van de voedingsmiddelen niet.

Tips voor de koeling van verse voeding

Om een optimale prestatie te verkrijgen:

- Berg geen warme voedingsmiddelen of vloeistoffen die verdampen op in de koelkast.
- Bedek of verpak de voeding, in het bijzonder wanneer ze een uitgesproken geur hebben.

Advies voor de koeling

Handige tips:

- Vergewis u ervan de voeding te verpakken in polyethyleenzakken en plaats deze op de glazen rekken, boven de groentenbak.
- Bewaar de voedingsmiddelen uit voorzorg nooit langer dan één of twee dagen op deze manier.
- Bereide voeding, koude gerechten...: deze laatste moeten afgedekt worden en kunnen op om het even welk rek geplaatst worden.
- Fruit en groenten: deze laatste dienen perfect gewassen te worden en in de hiertoe specifiek geleverde bakken geplaatst worden.
- Boteren kaas: deze laatste moeten in speciale, luchtdichte kommen geplaatst worden of omwikkeld worden in aluminiumfolie of polyethyleenzakken om zo veel mogelijk lucht te verwijderen.
- Flessen melk: moeten uitgerust zijn met een dop en opgeborgen worden in de deurbakken.
- Wanneer ze niet verpakt zijn, moeten bananen, aardappels, uien en look niet in de koelkast bewaard worden.

Aanbevolen temperatuurinstelling

Aanbevolen temperatuurinstelling	
Omgevingstemperatuur	Temperatuurinstelling
Thermostaatinstelling voor ambient T ° C : NORMAAL ≈ +24°C (± 4°C)	Koelkast ingesteld op 3°C Diepvriezer ingesteld op -18°C
Thermostaatinstelling voor ambient T ° C : KOUD ≈ +16°C (± 4°C)	Koelkast ingesteld op 3°C Diepvriezer ingesteld op -18°C
Thermostaatinstelling voor ambient T ° C : HEET ≈ +32°C (± 4°C)	Koelkast ingesteld op 3°C Diepvriezer ingesteld op -19°C

- Bovenstaande informatie geeft gebruikers een aanbeveling van de temperatuurinstelling.

Impact op het bewaren van voedsel

- Volgens de aanbevolen instelling is het beter voeding niet langer dan 3 dagen in de koelkast te bewaren.
- Volgens de aanbevolen instelling is het beter voeding niet langer dan 1 maand in de diepvriezer te bewaren.
- De beste bewaartijd kan korter zijn met andere instellingen.

OPGELET

Als u een temperatuur instelt, stelt u een gemiddelde temperatuur voor de hele koelkast.

OPGELET

Temperaturen In elk compartiment kunnen afwijken van de temperatuurwaarden die worden weergegeven op het paneel, afhankelijk van de hoeveel voedsel u opstaat en waar u het neerlegt. De omgevingstemperatuur kan ook invloed hebben op de werkelijke temperatuur in het apparaat.

Reiniging en onderhoud

Om hygiënische redenen dienen de binnenkant van het toestel en de accessoires erin regelmatig gereinigd te worden.

OPGELET



Risico op elektrische schok! Het toestel mag tijdens de reiniging niet aangesloten worden op het net. Vóór elke reiniging, schakelt u het toestel uit en trekt u de stekker uit het stopcontact of schakelt u het toestel uit en onderbreekt u de schakelaar of trekt u de zekering uit.

OPGELET

Reinig het toestel nooit met behulp van een stoomreiniger. Er kan zich vocht opstapelen in de elektrische onderdelen; dit kan leiden tot een risico op elektrische schok! Warme damp kan de plastic onderdelen beschadigen. Het toestel dient perfect droog te zijn alvorens het opnieuw in werking te stellen.

OPGELET

De essentiële oliën en de organische oplosmiddelen zoals citroensap of de jus van een sinaasappelschil, boterzuur en de schoonmaakmiddelen met azijnzuur kunnen de plastic onderdelen aantasten.

- Laat dergelijke stoffen niet in contact komen met de onderdelen van het toestel.
- Gebruik geen schurende reinigingsmiddelen.
- Haal de voedingsmiddelen uit de diepvriezer. Plaats ze op een frisse plaats en dek ze goed af.
- Schakel het toestel uit en trek de stekker uit het stopcontact of schakel het toestel uit en onderbreek de schakelaar of verwijder de zekering.
- Reinig het toestel en de accessoires ervan met behulp van een in lauw water gedrenkte vod. Na de reiniging spoelt u met koud water en droogt u af met een droge vod.
- Zodra alles goed droog is, kunt u het toestel in werking zetten.

Probleemoplossing

OPGELET

Trek de stekker uit het stopcontact vóór elke pechverhelping. Enkel een erkend elektricien of een bevoegd persoon mag de pechverhelping uitvoeren die niet in deze handleiding beschreven wordt.

OPMERKING

Er kunnen geluiden zijn bij normaal gebruik (compressor, koelmiddelcirculatie).

OPMERKING

De ledlampen kunnen niet door de gebruiker vervangen worden. Gelieve bij een storing een beroep te doen op uw klantendienst.

Problemen	Mogelijke oorzaken	Oplossingen
Het toestel werkt niet.	De stekker zit niet of zit niet correct in het stopcontact.	Steek de stekker correct in het stopcontact.
	De zekering is gesprongen of defect.	Controleer de zekering, vervang deze indien nodig.
	Het stopcontact is defect.	Storingen aan het elektriciteitsnet dienen verholpen te worden door een elektricien.
De voedingsmiddelen zijn te warm.	De temperatuur is niet correct ingesteld.	Gelieve het eerste hoofdstuk te lezen inzake het instellen van de temperatuur.
	De deur is gedurende een lange periode open gebleven.	Laat de deur niet langer dan nodig open.
	Er werd de afgelopen 24 uur een grote hoeveelheid warme voeding in het toestel geplaatst.	Zet de temperatuur tijdelijk op een koudere instelling.
	Het toestel bevindt zich in de buurt van een warmtebron.	Gelieve het hoofdstuk met betrekking tot de installatie van het toestel te raadplegen.
Het toestel koelt te veel.	De temperatuur staat te koud ingesteld.	Draai de temperatuurknop tijdelijk op een minder koude stand.
Vreemde geluiden.	Het toestel staat niet recht.	Verstel de poten van het toestel opnieuw.
	Het toestel raakt de muur of andere objecten.	Verplaats het toestel een beetje.
	Een onderdeel, bijvoorbeeld een Leiding aan de achterkant van het toestel, staat in contact met een andere deel van het toestel of met de muur.	Indien noodzakelijk buigt u het onderdeel voorzichtig om ruimte vrij te maken.
Er stroomt water op de grond.	De waterafvoeropening zit verstopt.	Zie het hoofdstuk 'Reiniging en onderhoud'.
De zijpanelen zijn warm.	Dat is normaal. Er ontstaat een warmteuitwisseling aan de binnenkant van de zijpanelen.	Draag indien nodig handschoenen om de zijpanelen aan te raken.

Indien deze storing blijft bestaan, neemt u contact op met het Onderhoudscentrum.

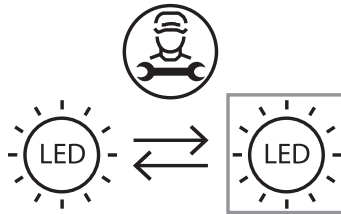
De lamp vervangen

Dit product bevat een lichtbron van energieefficiëntieklasse G.

De lichtbron in dit product kan alleen worden vervangen door gekwalificeerde professionals.

Neem contact op met de klantenservice als de lichtbron uitvalt.

De lichtbron moet aan het einde van de gebruiksduur van het product worden verwijderd, waarbij de sortering en recycling afzonderlijk worden uitgevoerd.



¡Muchas gracias!

Muchas gracias por haber elegido nuestro producto VALBERG. Seleccionados, testados y recomendados por ELECTRO DEPOT, los productos de la marca VALBERG le aseguran una utilización sencilla, un rendimiento fiable y una calidad incuestionable.

Con este dispositivo puede estar seguro de que siempre quedará satisfecho al utilizarlo. Le damos la bienvenida a ELECTRO DEPOT.

Visite nuestra página web: www.electrodepot.es



ELECTRO DEPOT

A Descripción del aparato

Temperaturas ambientales de uso
Ajuste del termostato
Descripción del aparato
Panel de control

B Utilización del aparato

Instalación
Utilización
Trucos y consejos útiles

C Información práctica

Limpieza y mantenimiento
Solución de problemas
Cómo desechar su antiguo aparato

Temperaturas ambientales de uso

Instale este electrodoméstico en un lugar donde la temperatura ambiente corresponda a la clase climática indicada en la placa de características del mismo:

para aparatos frigoríficos con clase climática:

- templado extendido: este electrodoméstico de refrigeración está diseñado para ser utilizado a temperaturas ambiente que oscilen entre 10 °C y 32 °C; (SN)
- templado: este electrodoméstico de refrigeración está diseñado para ser utilizado a temperaturas ambiente que oscilen entre 16 °C y 32 °C; (N)
- subtropical: este electrodoméstico de refrigeración está diseñado para ser utilizado a temperaturas ambiente que oscilen entre 16 °C y 38 °C; (ST)
- tropical: este electrodoméstico de refrigeración está diseñado para ser utilizado a temperaturas ambiente que oscilen entre 16 °C y 43 °C; (T)

Un aparato de multiclase puede controlar la temperatura más baja y la más alta de todas las clases cubiertas. El uso del aparato fuera del rango de temperatura ambiente puede afectar al rendimiento y a la vida útil del aparato.

Ajuste del termostato

Para ahorrar energía y conseguir un uso óptimo, se recomienda ajustar el/los termostato(s) del aparato según la temperatura ambiente de la habitación en la que se esté usando, respetando la(s) clase(s) climática(s).

Por favor, remítase a la ficha de datos del producto para consultar la clase de clima asociada a las temperaturas ambiente mínimas y máximas adecuadas para el dispositivo y el ajuste de temperatura recomendado para el almacenamiento óptimo de los alimentos.

Los grados de temperaturas ambientes T°C se dan a título indicativo.

La colocación en la habitación, la frecuencia de apertura de puerta(s) o incluso el nivel de carga de productos alimenticios del aparato pueden influir en las posiciones indicadas.

La o las posición(es) del/de los termostato(s) puede(n) modificarse para compensar estos factores.

Ejemplos de habitaciones de uso:

- Habitación no calefactada en invierno como por ejemplo un garaje en una región fría.
- Habitación habitable con calefacción como por ejemplo una cocina.
- Habitación sin aire acondicionado en verano en una región cálida.

Descripción del aparato

- | | | | |
|---|--------------------------------------------------------------------------------------------------|---|---------------------------------|
| 1 | Iluminación LED | 6 | Estantes del frigorífico |
| 2 | Estante balcón  | 7 | Estantes balcón del frigorífico |
| 3 | Estantes del congelador | 8 | Cajón/cajones del frigorífico |
| 4 | Estantes balcón del congelador | 9 | Pata de ajuste |
| 5 | Cajón/cajones del congelador | | |

OBSERVACIÓN

La imagen siguiente se proporciona únicamente a título indicativo. Su modelo puede ser distinto al de la imagen.

Panel de control

Botones

- Pulsar este botón para usar la temperatura del compartimento de congelación (lado izquierdo) desde 14 °C hasta -22 °C.
- Pulsar este botón para usar la temperatura del compartimento de refrigeración (lado derecho) desde 2 °C hasta 5 °C para apagarlo («OFF»). Si selecciona «OFF» (apagado), el compartimento de refrigeración se apagará.
- Pulsar este botón para seleccionar el modo de funcionamiento: «**SMART**», «**ECO**», «**SUPER COOLING**», «**SUPER FREEZING**» o «**AJUSTES DEL USER**» (no se muestra ningún símbolo).
- Pulsar este botón y mantenerlo pulsado durante 3 segundos para bloquear los otros 3 botones. Pulsar este botón durante 1 segundo para desbloquear los otros 3 botones.

Visualización

- 1 En modo «**SMART**» (Inteligente), el frigorífico ajusta automáticamente la temperatura de los dos compartimentos, en función de la temperatura interna y de la temperatura ambiente.
- 2 En modo «**ECO**» (Económico), el frigorífico selecciona el ajuste que permite un consumo de energía mínima.
- 3 Con el modo «**SUPER COOLING**» (Super refrigeración), el compartimento de refrigeración funciona a temperatura más baja durante aproximadamente 2 horas. Al final de este tiempo, la temperatura que se había configurado antes de activar el modo se restablece automáticamente.
- 4 Con el modo «**SUPER FREEZING**» (Super congelación), el compartimento de congelación funciona a la temperatura más baja durante aproximadamente 50 horas. Al final de este tiempo, la temperatura que se había configurado antes de activar el modo se restablece automáticamente.
- 5 «**LOCK**» (Bloqueo) este símbolo se enciende si los botones están bloqueados.
- 6 Muestra la temperatura ajustada para el compartimento de congelación.
- 7 Muestra la temperatura ajustada para el compartimento de refrigeración.

La manija de apertura de puerta

Cuando alguna puerta queda abierta o no se cierra completamente durante unos 60 segundos, el aparato emite una alarma. Si se reabre la puerta del frigorífico y la manija se detendrá.

Si la puerta no es á bien cerrada, la alarma sonará cada 35 segundos hasta que las puertas se cierren bien.

Si las puertas permanecen abiertas durante 10 minutos seguidos sin cerrarse, la luz LED interna se apagará automáticamente.

Instalación

OBSERVACIÓN

Para todas las conexiones eléctricas, lea atentamente las instrucciones dadas en los párrafos correspondientes.

- Desembale el aparato compruebe que visualmente no está estropeado. No enchufe el aparato si presen a algún daño. Indique inmediatamente cualquier posible daño en el punto de venta de donde ya comprado el aparato. En este caso, pida el material de embalaje.

Es recomendable esperar al menos cuarenta horas a la toma de enchufe para permitir que el aceite vuelva al compresor.

- Es necesario garantizar una correcta circulación de aire alrededor del aparato para evitar un calentamiento. Para asegurar una suficiente ventilación, siga las instrucciones de instalación.

- En el momento de la instalación, los separadores del rodillo deben ser instalados contra la pared, para que los usuarios no puedan sacar las piezas a partes o quedarse pegados (compresor, con el soldador) y evitar cualquier quemadura.

- El aparato no debe instalarse cerca de radiadores, ni de cocina.

- Una vez instalado el aparato apegado a la pared debe quedar a la toma de corriente.

Mantenimiento

- Cualquier operación eléctrica realizada con o parte del mantenimiento del aparato debe ser realizada por un electricista cualificado u otra persona competente.

- El mantenimiento de este aparato debe realizarse en un centro de servicio autorizado; solo se deben usar las piezas de repuesto originales.

Ahorro de energía

- No coloque alimentos calientes en el aparato.

- No amontone la comida ya que esto impide la circulación del aire.

- Después de que los alimentos no toquen la parte superior del/ de los compartimientos. Evite el corte de la electricidad, no abra la puerta(s).

- No abra la(s) puerta(s) con demasiada frecuencia.

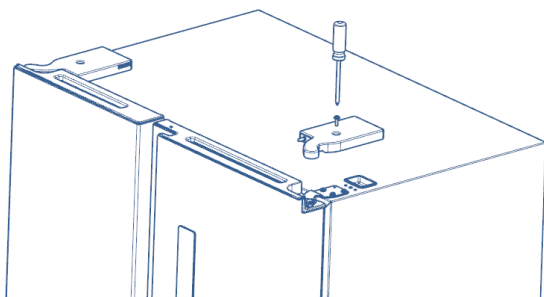
- No deje la(s) puerta(s) abierta(s) durante demasiado tiempo.
- No ajuste el termostato a temperaturas demasiado frías.
- Algunos accesorios, como las bandejas, pueden quitarse para obtener un mayor volumen de almacenamiento y consumir menos energía.

Retirada de las puertas

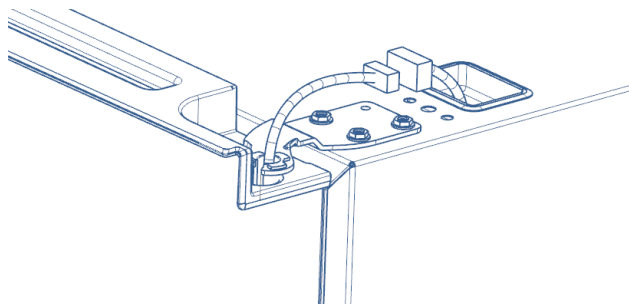
Herramientas necesarias: destornillador cruciforme, destornillador plano.

- Asegúrese de que el aparato este desenchufado y vacío.
- Para quitar la puerta, es necesario inclinar el aparato hacia atrás. Debe apoyarse sobre una superficie sólida, para evitar que no se resbale cuando quite la puerta.
- Todas las piezas retiradas deben conservarse para volver a instalar la puerta.
- No tumbe el aparato ya que podría estropear el sistema de refrigeración.
- Es preferible que se encarguen dos personas de manipular el aparato durante el montaje.

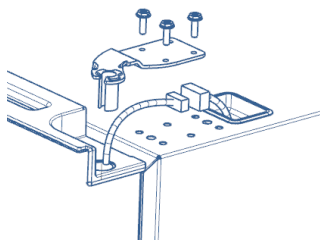
1. Desatornille el embellecedor de la bisagra con un destornillador cruciforme.



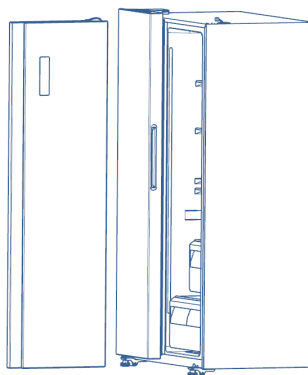
2. Desconecte el haz de cables eléctricos.



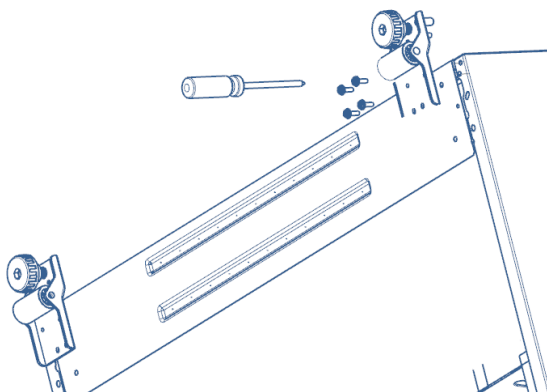
3. Desatornille la bisagra superior.



4. Quite la puerta y colóquela sobre una superficie suave y acolchada. Retire después la otra puerta del mismo modo.



5. Desatornille las bisagras inferiores.



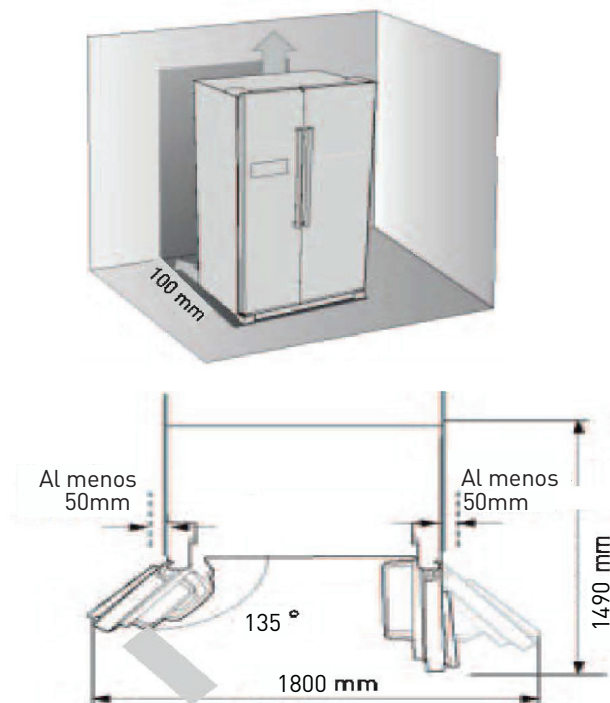
6. Una vez el aparato esté en su sitio, vuelva a instalar las puertas siguiendo el procedimiento inverso.

Espacio requerido

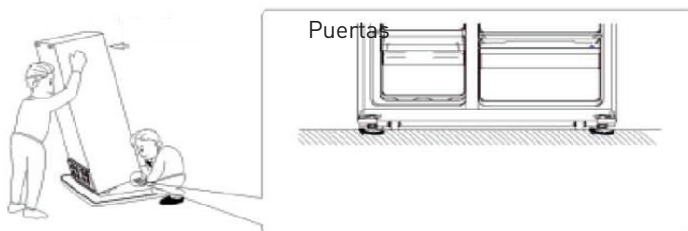
- Elija un lugar que no esté directamente expuesto a la luz solar.

Deje espacio suficiente para poder abrir las puertas del refrigerífico.

- Seleccione un lugar cuyo suelo sea plano (o casi plano).
- Deje suficiente espacio para instalar el refrigerífico en una superficie plana.
- Deje espacio a la derecha, a la izquierda, en la parte trasera y por encima del aparato cuando lo instale. Esto ayudará a disminuir el consumo eléctrico y a reducir el coste de sus facturas de electricidad.



Nivelación y estabilización del frigorífico



- Nivele y establezca el frigorífico ajustando las patas.
- Gire las patas en el sentido de las agujas del reloj para subirlas manualmente.
- Gire las patas en el sentido contrario de las agujas del reloj para bajarlas manualmente.

Entorno

Instale el aparato en un lugar donde la temperatura ambiente corresponda a la clase climática indicada en la placa de características del aparato.

Ubicación

• El aparato debe mantener una buena distancia con respecto a las fuentes de calor, como los radiadores, las calderas, la luz directa del sol, etc. Asegúrese de que el aire pueda circular libremente por la parte trasera del aparato. Para un funcionamiento óptimo, si el aparato está colocado debajo de un elemento instalado en la pared, entre la parte superior del aparato y el elemento debe haber al menos una distancia de 100 mm. En la medida de lo posible, es preferible sin embargo no colocar el aparato bajo elementos colgados en la pared. Puede nivelar correctamente el aparato gracias a una o varias patas regulables situadas en la parte inferior del aparato.

ATENCIÓN

Debe tener espacio para desenchufar el aparato de la toma de corriente, por lo tanto, la toma debe quedar perfectamente accesible después de la instalación del aparato.

Conexiones eléctricas

Antes de enchufar el aparato, compruebe que la tensión eléctrica y la frecuencia indicada en la placa de características corresponde a la de la alimentación eléctrica de su vivienda. Este aparato debe estar conectado a una toma de tierra. La clavija del cable de alimentación tiene un contacto para ello. Si la toma de su alimentación eléctrica no está conectada a tierra, conecte el aparato a una línea de tierra distinta según la normativa en vigor, acudiendo a un electricista cualificado.

El fabricante declina toda responsabilidad en caso de incumplimiento de las precauciones de seguridad arriba citadas.

Este aparato cumple con las directivas CEE.

Utilización

Antes de usar por primera vez el aparato

Limpieza del interior

Antes de usar por primera vez el aparato, friegue el interior y todos los accesorios internos con agua tibia y jabón neutro, para eliminar el olor característico a nuevo. Séquelos completamente después.

OBSERVACIÓN

No use detergentes o polvos abrasivos, ya que estos últimos estropearían el acabado del aparato.

Uso diario

Congelación de alimentos frescos

- El compartimiento del congelador sirve para congelar alimentos frescos y conservar la comida congelada durante un largo período.
- Coloque los alimentos frescos que desee congelar en el compartimento inferior.
- La cantidad máxima de alimentos que es posible congelar en 24 horas viene indicada en la placa de características.
- El proceso de congelación dura 24 horas: no añada otros alimentos para congelar durante este tiempo.

Conservación de alimentos congelados

La primera vez que lo vaya a usar o pasado un tiempo sin usarlo, antes de colocar los productos en el compartimento, deje el aparato funcionando durante al menos 2 horas poniendo la temperatura más baja.

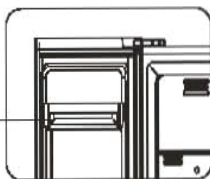
OBSERVACIÓN

En caso de descongelación accidental (por ejemplo, si la corriente se ha cortado durante un período superior al indicado en la tabla de características técnicas en el apartado «Duración de la subida de temperatura»), los alimentos descongelados deben consumirse rápidamente, o cocinarse y después volverlos a congelar (una vez ya cocinados).

ATENCIÓN

El estante balcon de 2 estrellas, cuya temperatura está comprendida entre -12° y -18 no sirve para guardar los helados o el hielo.

Estante balcon 2
estrellas

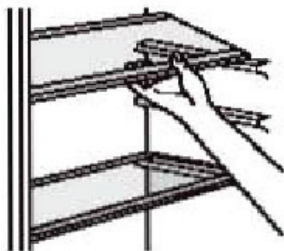
**Descongelación**

Antes de usar la comida congelada, puede estar descongelada en el compartimento del frigorífico o a temperatura ambiente, según el tiempo del que disponga para esta operación.

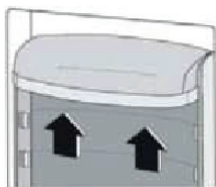
Se pueden cocinar pequeñas porciones de alimentos congelados recién sacados del congelador. En este caso, tardarán más tiempo en cocinarse.

Accesorios**Estantes extraíbles**

Las paredes del frigorífico vienen con diferentes guías para que pueda colocar Los estantes según sus preferencias.

**Colocación de los estantes balcon de la puerta**

Para que pueda guardar los envases de los alimentos de tamaños variados, los estantes balcon de la puerta pueden colocarse en distintas alturas. Para hacer estos ajustes, siga estos pasos: tire progresivamente del estante balcon en el sentido de las flechas, hasta sacarlo completamente. Luego, vuelva a colocarlo según sus preferencias.



Trucos y consejos útiles

Consejos para la congelación

Para optimizar el proceso de congelación, estos son algunos consejos importantes:

- La cantidad máxima de alimentos que se pueden congelar en 24 horas viene indicada en la placa de características.
- El proceso de congelación dura 24 horas. No es recomendable añadir otros alimentos durante este tiempo.
- Congele solo alimentos frescos, en perfecta calidad y bien limpios.
- Prepare pequeñas porciones para que se puedan congelar íntegra y rápidamente para después poder descongelar únicamente la cantidad requerida.
- Envuelva los alimentos en papel de aluminio o papel film y asegúrese de que los envases sean herméticos.
- No deje que los alimentos frescos no congelados entren en contacto con alimentos ya congelados, ya que provocaría un aumento de la temperatura de estos últimos.
- Los alimentos magros se conservan mejor y durante más tiempo que los alimentos grasos. La sal reduce el tiempo de conservación de los alimentos.
- Si se consumen inmediatamente después de haberse sacado del compartimento del congelador, el hielo podría provocar quemaduras por el frío.
- Los alimentos congelados, apenas sacados del congelador, pueden provocar quemaduras a causa del frío.
- Se recomienda dejar la fecha visible en cada porción individual congelada para poder hacer un seguimiento del tiempo que lleva congelado.

Consejos para la conservación de alimentos congelados

Para optimizar el rendimiento de este aparato, usted debe:

- asegurarse de que los alimentos congelados hayan sido correctamente conservados por el distribuidor;
 - asegurarse de transportar los alimentos congelados desde la tienda de alimentación hasta su congelador lo más rápido posible;
 - no abrir con frecuencia la puerta, ni dejarla abierta más tiempo de lo necesario.
- No vuelva a congelar alimentos descongelados, ya que se estropearían rápidamente.
 - No sobrepase la fecha límite de conservación indicada por el fabricante de los alimentos.

Consejos para la refrigeración de alimentos frescos

Para conseguir un rendimiento óptimo:

- No guarde alimentos calientes o líquidos que se evaporan en el frigorífico.
- Cubra o envuelva los alimentos, particularmente si tienen un sabor fuerte.

Consejos para la refrigeración

Consejos útiles:

- Asegúrese de envasar los alimentos en bolsas de polietileno y colóquelas en los estantes de cristal, encima del cajón de las verduras.
- Por precaución, conserve los alimentos de esta menara solo un día o dos como mucho.
- Los alimentos cocinados, platos fríos, etc.: deben estar tapados y se pueden colocar en cualquier estante.
- Frutas y verduras: deben lavarse perfectamente y colocarse en la(s) bandeja(s) específica(s) suministrada(s).
- Mantequilla y queso: deben colocarse en recipientes especiales, herméticos, o envueltos en papel de aluminio o en bolsitas de polietileno para intentar evitar todo el aire posible.
- Botes de leche: deben llevar tapones y guardarse en los estantes balcón de la puerta.
- Si los plátanos, patatas, cebollas y ajo no están envasados, no deben conservarse en el frigorífico.

Ajuste de temperatura recomendado

Ajuste de temperatura recomendado	
Temperatura ambiente	Ajuste de la temperatura
Ajuste del termostato para T°C ambiente : NORMAL $\approx +24^{\circ}\text{C}$ ($\pm 4^{\circ}\text{C}$)	Frigorífico ajustado en 3°C Congelador ajustado en -18°C
Ajuste del termostato para T°C ambiente : FRIO $\approx +16^{\circ}\text{C}$ ($\pm 4^{\circ}\text{C}$)	Frigorífico ajustado en 3°C Congelador ajustado en -18°C
Ajuste del termostato para T°C ambiente : CALIENTE $\approx +32^{\circ}\text{C}$ ($\pm 4^{\circ}\text{C}$)	Frigorífico ajustado en 3°C Congelador ajustado en -19°C

- La información anterior aporta a los usuarios recomendaciones sobre el ajuste de temperatura.

Impacto en el almacenamiento de alimentos

- En la configuración recomendada, el tiempo de almacenamiento óptimo del frigorífico es de menos de 3 días.
- En la configuración recomendada, el tiempo de almacenamiento óptimo del congelador es de menos de 1 mes.
- El tiempo de almacenamiento puede reducirse con otras configuraciones.

ATENCIÓN

Cuando ajuste la temperatura, esta se aplicará a todo el compartimento del frigorífico. Las temperaturas dentro de cada compartimento pueden ser diferentes de los valores de temperatura que se indican en el panel.

ATENCIÓN

Ello depende de la cantidad de alimentos almacenados y el lugar en el que la coloque. La temperatura ambiente también puede afectar a la temperatura interior del electrodoméstico.

Por razones de higiene, el interior del aparato, así como los accesorios interiores deben limpiarse regularmente.

ATENCIÓN



¡Riesgo de descarga eléctrica! El aparato no debe estar enchufado a la red durante su limpieza. Antes de limpiarlo, apague el aparato y quite el enchufe de la toma o apague el aparato y corte el disyuntor o retire el fusible.

ATENCIÓN

No limpie nunca el frigorífico con un aparato de limpieza con vapor. Puede acumularse humedad en los componente eléctricos y esto podría provocar un riesgo de descarga eléctrica. Todo el vapor caliente puede estropear las piezas de plástico. El aparato debe estar perfectamente seco antes de ponerlo en funcionamiento.

ATENCIÓN

Los aceites esenciales y los disolventes orgánicos, como el zumo de limón o el zumo procedente de la cáscara de naranja, el ácido butírico y los productos de limpieza que contengan ácido acético pueden deteriorar las piezas de plástico.

- No deje que estas sustancias entren en contacto con las piezas del aparato.
- No utilice productos abrasivos.
- Retire los alimentos del congelador. Colóquelos en un lugar fresco, bien tapados.
- Apague el aparato y quite el enchufe de la toma o apague el aparato y corte el disyuntor o retire el fusible.
- Limpie el aparato así como sus accesorios interiores con un trapo humedecido con agua tibia. Después de limpiarlo, límpielo con agua fría y séquelo con un trapo seco.
- Una vez que todo esté seco, puede volver a poner en funcionamiento el aparato.

Solución de problemas

ATENCIÓN

Cada vez que vaya a intentar solucionar un problema, corte la alimentación eléctrica. Solo un electricista cualificado o un persona competente debe efectuar la reparación que no esté descrita en el presente manual.

Pueden producirse ruidos durante el uso normal (compresor, circulación del refrigerante).

Las bombillas LED no puede sustituirlas el usuario. En caso de avería, consulte al servicio técnico.

Problemas	Causas potenciales	Soluciones
El aparato no funciona.	El aparato no está enchufado o el enchufe no se ha introducido correctamente.	Introduzca correctamente el enchufe.
	El fusible ha saltado o está defectuoso.	Compruebe el fusible y cámbielo si fuera necesario.
	La toma de corriente está defectuosa.	Los problemas con la red eléctrica deben ser reparados por un electricista.
Los alimentos están demasiado calientes.	La temperatura no se ha regulado correctamente.	Consulte el capítulo inicial relativo al ajuste de la temperatura.
	La puerta se ha quedado abierta durante mucho tiempo.	No deje la puerta abierta más tiempo del necesario.
	Se ha colocado una importante cantidad de comida caliente en el interior del frigorífico durante las últimas 24 horas.	Regule temporalmente la temperatura hasta un ajuste más frío.
	El aparato se encuentra cerca de una fuente de calor.	Consulte el capítulo relativo al lugar de instalación del aparato.
El aparato refrigera demasiado.	El ajuste de la temperatura es demasiado frío.	Gire temporalmente el botón de la temperatura hacia un ajuste menos frío.
Ruidos habituales.	El electrodoméstico no está derecho.	Ajuste las patas del aparato otra vez.
	El aparato toca la pared u otros objetos.	Mueva ligeramente el aparato.
	Un componente, por ejemplo, un tubo en la parte trasera del aparato, entra en contacto o la pared.	Si es necesario, doble delicadamente el componente para que libere espacio.
Hay agua que se sale por el suelo.	El orificio de evacuación del agua está atascado.	Consulte el capítulo «Limpieza y mantenimiento».
Los paneles laterales están calientes.	Es normal. En el interior de los paneles laterales se producen intercambios térmicos.	Use guantes para tocar los paneles laterales si fuera necesario.

Si el fallo continúa, póngase en contacto con el servicio técnico.

Cambiar la luz

Este producto contiene una fuente luminosa de la clase de eficiencia energética G.

La fuente de luz de este producto solo puede ser reemplazada por profesionales calificados.

Si la fuente de luz falla, comuníquese con el servicio al cliente.

La fuente de luz debe retirarse al final de la vida útil del producto, y la clasificación y el reciclaje se deben realizar por separado.

