



EN



Four à micro-ondes  
SEB-COM25L

[www.groupeseb.com](http://www.groupeseb.com)



## TABLE OF CONTENTS

IMPORTANT SAFETY INSTRUCTIONS.....	20
PRECAUTIONS TO AVOID POSSIBLE EXPOSURE TO EXCESSIVE MICROWAVE ENERGY .....	23
SPECIFICATIONS .....	23
INSTALLATION .....	23
RADIO INTERFERENCE .....	24
GROUNDING INSTRUCTIONS .....	24
MICROWAVE COOKING PRINCIPLES .....	25
BEFORE YOU CALL FOR SERVICE .....	25
UTENSILS GUIDE .....	25
PART NAMES .....	26
CONTROL PANEL .....	27
HOW TO SET THE OVEN CONTROLS .....	27
CORRECT DISPOSAL OF THIS PRODUCT .....	33

## IMPORTANT SAFETY INSTRUCTIONS READ CAREFULLY AND KEEP FOR FUTURE REFERENCE

### WARNINGS

When using electrical appliance basic safety precautions should be followed, including the following:

**WARNING:** To reduce the risk of burns, electric shock, fire, injury to persons or exposure to excessive microwave energy:

1. Read all instructions before using the appliance and keep for future reference.
2. Use this appliance only for its intended use as described in this manual. Do not use corrosive chemicals or vapors in this appliance. This type of oven is specifically designed to heat, cook or dry food. It is not designed for industrial or laboratory use.
3. Do not operate the oven when empty.
4. Do not operate this appliance if it has a damaged cord or plug, if it is not working properly or if it has been damaged or dropped. If the supply cord is damaged, it must be replaced by the manufacturer or its service agent or a similarly qualified person in order to avoid a hazard
5. **WARNING:** Only allow children to use the oven without supervision when adequate instructions have been given so that the child is able to use the oven in a safe way and understands the hazards of improper use.
6. **Warning:** When the appliance is operated in the combination mode, children should only use the oven under adult supervision due to the temperatures generated.
7. To reduce the risk of fire in the oven cavity:
  - a) When heating food in plastic or paper container, keep an eye on the oven due to the possibility of ignition;
  - b) Remove wire twist-ties from paper or plastic bags before placing bag in oven.
  - c) If smoke is observed, switch off or unplug the appliance and keep the door closed in order to stifle any flames.
  - d) Do not use the cavity for storage purposes. Do not leave paper products, cooking utensils or food in the cavity when not in use.
  - e) The microwave oven is intended for heating food and beverages. Drying of clothing and heating of warming pads, slippers, sponges, damp cloth and similar may lead to risk of injury, ignition or fire.
8. **WARNING:** Liquid or other food must not be heated in sealed containers since they are liable to explode.
9. Microwave heating of beverage can result in delayed eruptive boiling, therefore care has to be taken when handling the container.
10. Do not fry food in the oven. Hot oil can damage oven parts and utensils and even result in skin burns.

11. Eggs in their shell and whole hard-boiled eggs should not be heated in microwave ovens since they may explode even after microwave heating has ended.
12. Pierce foods with heavy skins such as potatoes, whole squashes, apples and chestnuts before cooking.
13. The contents of feeding bottles and baby jars should be stirred or shaken and the temperature should be checked before serving in order to avoid burns.
14. Cooking utensils may become hot because of heat transferred from the heated food. Potholders may be needed to handle the utensil.
15. Utensils should be checked to ensure that they are suitable for use in microwave oven.
16. **WARNING:** It is hazardous for anyone other than a trained person to carry out any service or repair operation which involves the removal of any cover which gives protection against exposure to microwave energy.
17. This product is a Group 2 Class B ISM equipment. The definition of Group 2 which contains all ISM (Industrial, Scientific and Medical) equipment in which radio-frequency energy is intentionally generated and/or used in the form of electromagnetic radiation for the treatment of material, and spark erosion equipment. For Class B equipment is equipment suitable for use in domestic establishments and in establishments directly connected to a low voltage power supply network which supplies buildings used for domestic purpose.
18. This appliance is not intended for use by persons (including children) with reduced physical, sensory or mental capabilities, or lack of experience and knowledge, unless they have been given supervision or instruction concerning use of the appliance by a person responsible for their safety.
19. Children should be supervised to ensure that they do not play with the appliance.
20. The microwave oven is only used in freestanding.
21. **WARNING:** Do not install oven over a range cooktop or other heat-producing appliance. If installed could be damaged and the warranty would be avoid.
22. The microwave oven shall not be placed in a cabinet.
23. The door or the outer surface may get hot when the appliance is operating.
24. **Warning:** Accessible parts may become hot during use. Young children should be kept away.
25. During use the appliances becomes hot. Care should be taken to avoid touching heating elements inside the oven, for cooking ranged and ovens.
26. The temperature of accessible surfaces may be high when the appliance is operating.
27. Appliance is not to be used by children or persons with reduced physical, sensory or mental capabilities, or lack of experience and knowledge, unless they have been given supervision or instruction.
28. **WARNING:** If the door or door seals are damaged, the oven must not be operated

until it has been repaired by a competent person.

29. The instructions shall state that appliances are not intended to be operated by means of an external timer or separate remote-control system.
30. The microwave oven is for household use only and not for commercial use.
31. Never remove the distance holder in the back or on the sides, as it ensures a minimum distance from the wall for air circulation.
32. Please secure the turntable before you move the appliance to avoid damages.
33. Caution: It is dangerous to repair or maintain the appliance by no other than a specialist because under these circumstances the cover have to be removed which assures protection against microwave radiation. This applies to changing the power cord or the lighting as well. Send the appliance in these cases to our service centre.
34. The microwave oven is intended for defrosting, cooking and steaming of food only.
35. Use gloves if you remove any heated food.
36. Caution! Steam will escape, when opening lids or wrapping foil.
37. This appliance can be used by children aged from 8 years and above and persons with reduced physical, sensory or mental capabilities or lack of experience and knowledge if they have been given supervision or instruction concerning use of the appliance in a safe way and understand the hazards involved. Children shall not play with the appliance. Cleaning and user maintenance shall not be made by children unless they are aged from 8 years and above and supervised.
38. If smoke is emitted, switch off or unplug the appliance and keep the door closed in order to stifle any flames.

## PRECAUTIONS TO AVOID POSSIBLE EXPOSURE TO EXCESSIVE MICROWAVE ENERGY

1. Do not attempt to operate this oven with the door open since open door operation can result in harmful exposure to microwave energy. It is important not to defeat or tamper with the safety interlocks.
2. Do not place any object between the oven front face and the door or allow soil or cleaner residue to accumulate on sealing surfaces.
3. Do not operate the oven if it is damaged. It is particularly important that the oven door close properly and that there is no damage to the
  - 1) Door (bent),
  - 2) Hinges and latches (broken or loosened),
  - 3) Door seals and sealing surfaces.
4. The oven should not be adjusted or repaired by anyone except properly qualified service personnel.

## SPECIFICATIONS

Power Supply	230-240V~ 50Hz
Power Consumption (Microwave)	1400W
Power Consumption (Grill)	1350W
Power Consumption (Convection)	1350W
Rated Microwave Power Output	900W
Operation Frequency	2450MHz
Outside Dimensions	281mm(H)×483mm(W)×434mm(D)
Oven Cavity Dimensions	220mm(H)×340mm(W)×344mm(D)
Oven Capacity	25Litres
Net Weight	Approx. 16.0kg

## INSTALLATION

1. Make sure that all the packing materials are removed from the inside of the door.
2. **WARNING:** Check the oven for any damage, such as misaligned or bent door, damaged door seals and sealing surface, broken or loose door hinges and latches and dents inside the cavity or on the door. If there is any damage, do not operate the oven and contact qualified service personnel.

3. This microwave oven must be placed on a flat, stable surface to hold its weight and the heaviest food likely to be cooked in the oven.
4. Do not place the oven where heat, moisture or high humidity are generated, or near combustible materials.
5. For correct operation, the oven must have sufficient airflow. Allow minimum 20cm of free space necessary above the top surface of the oven and 5cm at both sides. The microwave oven rear plate must be placed close to the wall. Do not cover or block any openings on the appliance. Do not remove feet.
6. Do not operate the oven without glass tray, roller support, and shaft in their proper positions.
7. Make sure that the power supply cord is undamaged and does not run under the oven or over any hot or sharp surface.
8. The socket must be readily accessible so that it can be easily unplugged in an emergency.
9. Do not use the oven outdoors.

## SPECIFICATIONS

Operation of the microwave oven can cause interference to your radio, TV, or similar equipment.

When there is interference, it may be reduced or eliminated by taking the following measures:

1. Clean door and sealing surface of the oven.
2. Reorient the receiving antenna of radio or television.
3. Relocate the microwave oven with respect to the receiver.
4. Move the microwave oven away from the receiver.
5. Plug the microwave oven into a different outlet so that microwave oven and receiver are on different branch circuits.

## GROUNDING INSTRUCTIONS

This appliance must be grounded. This oven is equipped with a cord having a grounding wire with a grounding plug. It must be plugged into a wall receptacle that is properly installed and grounded. In the event of an electrical short circuit, grounding reduces risk of electric shock by providing an escape wire for the electric current. It is recommended that a separate circuit serving only the oven be provided. Using a high voltage is dangerous and may result in a fire or other accident causing oven damage.

**WARNING** Improper use of the grounding plug can result in a risk of electric shock.

### Note:

1. If you have any questions about the grounding or electrical instructions, consult a qualified electrician or service person.



2. Neither the manufacturer nor the dealer can accept any liability for damage to the oven or personal injury resulting from failure to observe the electrical connection procedures.

The wires in this cable main are colored in accordance with the following code:

Green and Yellow = EARTH

Blue = NEUTRAL

Brown = LIVE

### MICROWAVE COOKING PRINCIPLES

1. Arrange food carefully. Place thickest areas towards outside of dish.
2. Watch cooking time. Cook for the shortest amount of time indicated and add more as needed. Food severely overcooked can smoke or ignite.
3. Cover foods while cooking. Covers prevent splattering and help foods to cook evenly.
4. Turn foods over once during microwaving to speed cooking of such foods as chicken and hamburgers. Large items like roasts must be turned over at least once.
5. Rearrange foods such as meatballs halfway through cooking both from top to bottom and from the center of the dish to the outside.

### BEFORE YOU CALL FOR SERVICE

If the oven fails to operate:

1. Check to ensure that the oven is plugged in securely. If it is not, remove the plug from the outlet, wait 10 seconds, and plug it in again securely.
2. Check for a blown circuit fuse or a tripped main circuit breaker. If these seem to be operating properly, test the outlet with another appliance.
3. Check to ensure that the control panel is programmed correctly and the timer is set.
4. Check to ensure that the door is securely closed engaging the door safety lock system. Otherwise, the microwave energy will not flow into the oven

**IF NONE OF THE ABOVE RECTIFIES THE SITUATION, THEN CONTACT A QUALIFIED TECHNICIAN. DO NOT TRY TO ADJUST OR REPAIR THE OVEN YOURSELF.**

### UTENSILS GUIDE

1. Microwave cannot penetrate metal. Only use utensils that are suitable for use in microwave ovens. Metallic containers for food and beverages are not allowed during microwave cooking. This requirement is not applicable if the manufacturer specifies size and shape of metallic containers suitable for microwave cooking.
2. Microwave can not penetrate metal, so metal utensils or dishes with metallic trim should not be used.
3. Do not use recycled paper products when microwave cooking, as they may contain small metal fragments which may cause sparks and/or fires.

4. Round /oval dishes rather than square/oblong ones are recommend, as food in corners tends to overcook.
5. Narrow strips of aluminum foil may be used to prevent overcooking of exposed areas. But be careful don't use too much and keep a distance of 1 inch (2.54cm) between foil and cavity.

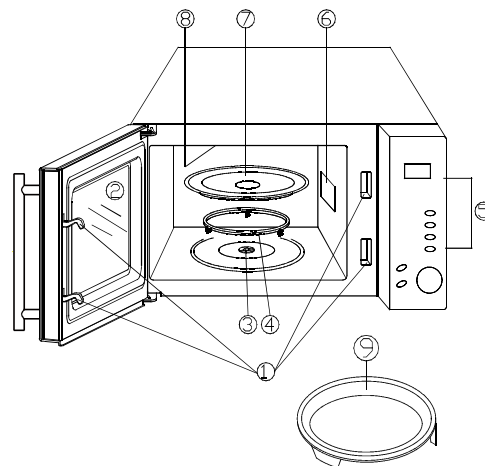
The list below is a general guide to help you select the correct utensils.

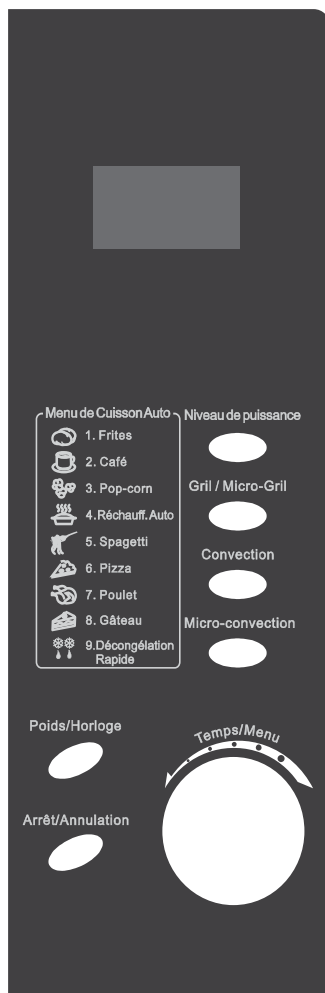
Cookware	Microwave	Grill	Convection	Combination*
Heat-Resistant Glass	Yes	Yes	Yes	Yes
Non Heat-Resistant Glass	No	No	No	No
Heat-Resistant Ceramics	Yes	Yes	Yes	Yes
Microwave-Safe Plastic Dish	Yes	No	No	No
Kitchen Paper	Yes	No	No	No
Metal Tray	No	Yes	Yes	No
Metal Rack	No	Yes	Yes	No
Aluminum Foil & Foil Container	No	Yes	Yes	No

\* Combination: applicable for both "microwave+grill", and "microwave+convection" cooking.

### PART NAMES

1. Door Safety Lock System
2. Oven Window
3. Shaft
4. Roller Ring
5. Control Panel
6. Wave Guide
7. Glass Tray
8. Grill Heater
9. Baking Plate





### Display Screen

Cooking time, power, indicators and clock time are displayed.

### Power Level

Press to select microwave cooking power level.

### Weight/Clock

Press to set the clock or to set food weight.

### Grill/Micro - Grill

Press to set a grill cooking program or to select one of two combination cooking settings.

### Convection

Press to set a convection cooking program.

### Micro-convection

Press to select one of four combination cooking settings.

### Stop/Cancel

Touch to stop cooking program or clear all previous settings before cooking starts.

### Time/Menu (dial)

Rotate to set cooking time or select auto-menu.

### Start/Quick Start (Time/Menu dial)

Press to start cooking program or set quick start cooking program.

## HOW TO SET THE OVEN CONTROLS

- After the cooking time ends, the system will beep once and End is displayed. Before starting another cooking session, press any pad or open the door to clear the display and reset the system.
- In the process of cooking set, broke about 20 seconds the oven will return to standby mode.
- During cooking, if press STOP/CANCEL pad once or open the door, the program will be paused, then press START/QUICK START pad to resume, but if press STOP/CANCEL pad twice, the program will be canceled.

## SETTING THE CLOCK

This is a 24-hour clock. To check the current time of the clock while the oven is operating, press the WEIGHT/CLOCK button.

Suppose you want to set the oven clock time to 8:30.

1. Press WEIGHT/CLOCK button once.

2. Turn TIME/MENU to set 8 o'clock.
3. Press WEIGHT/CLOCK button once.
4. Turn TIME/MENU to set 30 minutes.
5. Press WEIGHT/CLOCK to confirm the setting.

## QUICK START

---

Use this feature to program the oven to start at 100 % power conveniently. The max time can be set is 10 minutes

1. Open the door and place the food into the oven, close it.
2. Press START/QUICK START button in quick succession to set the cooking time. The oven will auto-start immediately.

## MICROWAVE COOKING

---

Microwave cooking allows you to customize cooking power and time. First, select power levels by pressing POWER LEVEL button (see the table below), and then turn the TIME/MENU dial to enter cook time. Maximum cooking time is 95 minutes. The oven will start cooking after user press START/QUICK START pad.

Suppose you want to cook for 5 minute at 60 % power level.

1. Open the door and place the food into the oven, close it.
2. Press POWER LEVEL button till the screen show the intended power.

Press	Power Level (Display)		Press	Power Level (Display)
Once	100 % (P100)		7 times	40 % (P-40)
Twice	90 % (P-90)		8 times	30 % (P-30)
Thrice	80 % (P-80)		9 times	20 % (P-20)
4 times	70 % (P-70)		10 times	10 % (P-10)
5 times	60 % (P-60)		11 times	0 % (P-00)
6 times	50 % (P-50)			

3. Use the TIME/MENU dial to enter cooking time until the correct cooking time (5:00) is displayed.
4. Press START/QUICK START button to start.

**NOTE:** You can check the current cooking power level while cooking is in progress by pressing the POWER LEVEL button.

## GRILL

---

Maximum cooking time is 95 minutes. Suppose you want to program grill cooking for 12 minutes.

1. In waiting mode, open the door and place the food into the oven, close it.
2. Press GRILL/MICRO+GRILL button once.
3. Turn the TIME/MENU to 12:00.
4. Press START/QUICK START to start.

## MICROWAVE + GRILL

---

Maximum cooking time is 95 minutes. Suppose you want to set combination cooking for 25 minutes.

1. In waiting mode, open the door and place the food into the oven, close it.
2. Press GRILL/MICRO+GRILL button twice or thrice

Press GRILL/MICRO+GRILL button	Combination	Cooking time	
		Microwave	Grill
Twice	Grill, Micro, C-1	30 %	70 %
Thrice	Grill, Micro, C-2	55 %	45 %

3. Turn TIME/MENU to 25:00.
4. Press START/QUICK START to start.

**NOTE:** During cooking, you can press GRILL/MICRO+GRILL button to check the combination mode.

## CONVECTION

---

During convection cooking, hot air is circulated throughout the oven cavity to brown and make crisp foods quickly and evenly. This oven can be programmed for ten different cooking temperatures Maximum cooking time for convection is 9 hours and 30 minutes.

To Cook with Convection

To cook with convection, press CONVECTION button repeatedly to enter the desired convection temperature. (200~110 °C)

Suppose you want to cook at 180 °C for 40 minutes.

1. Open the oven door and place the food, close it.
2. Press CONVECTION button repeatedly to select cooking temperature as shown on screen.
3. Turn TIME/MENU to set the cooking time.
4. Press START/QUICK START to start.

**NOTE:** During cooking, you can press CONVECTION pad to see the convection temperature.

To Preheat and Cook with Convection

Your oven can be programmed to combine preheating and convection cooking operations.

Suppose you want to preheat to 170 °C and then cook 35 minutes.

1. Press CONVECTION button repeatedly to select cooking temperature as shown on screen.
2. Press START/QUICK START to start. Beeps will sound when the designated temperature is reached.
3. Open the door and place container of food at the center of the turntable.
4. Turn TIME/MENU to set the cooking time.
5. Press START/QUICK START button to start.

**NOTE:** The maximum preheat time is 30 minutes, and it cannot be set. When the temperature reaches the preheat temperature, the countdown stop with sound every 5 seconds for 30 minutes. If you don't open the oven door within the 30 minutes, the system will stop automatically with END in display.

### MICROWAVE +CONVECTION

---

This oven has four pre-programmed settings that make it easy to cook with both convection heat and microwave automatically.

Press MICRO+CONVECTION button repeatedly to program convection temperature:

	Touch	Temperature (°C)
Comb1	Once	200
Comb2	Twice	170
Comb3	3 times	140
Comb4	4 times	110

Suppose you want to cook for 24 minutes on Comb3.

1. Open the oven door and place the food, close it.
2. Press MICRO+CONVECTION button 3 times.
3. Turn TIME/MENU to set the cooking time.
4. Press START/QUICK START button to start.

**NOTE:** You can check the convection temperature while cooking is in progress by pressing the MICRO+CONVECTION button. Maximum cooking time you can set is 9 hours and 30 minutes.

### SPEED DEFROST

---

Suppose you want to defrost frozen food for 5 minutes.

1. Open the door and place the food into the oven, close it.
2. Turn TIME/MENU dial anti-clockwise to select code "09" for speed defrost.

3. Press WEIGHT/CLOCK once.
4. Turn TIME/MENU dial again to enter 5 minutes.(The longest defrost time is 95 minutes.)
5. Press START/QUICK START to start.

**NOTE:** During defrosting process, the oven will sound and pause to remind you to turn over the food, and then close the door and press START/QUICK START to resume.

## MULTI-STAGE COOKING

---

Your oven can be programmed for up to 3 automatic cooking sequences.

Suppose you want to set the following cooking program.

Microwave cooking



Convection cooking

1. In waiting mode, open the door and place the food into the oven, close it.
2. Input the first Microwave cooking program without press START/QUICK START pad.
3. Input Convection cooking program.
4. Press START/QUICK START to start.

**NOTE :** Speed Defrost can only be set as the first stage, while Quick Start, Preheat with Convection and Auto Menu Cook cannot be set in a multi-stage cooking program.

## CHILD PROOF LOCK

---

The childproof lock prevents unsupervised operation by little children.

To set the child proof lock: In standby mode, if there is not any operation within one minute, the oven will auto enter child lock mode and the lock indicator light will turn on. In the lock state, all buttons are disabled.

To cancel the child proof lock: In child lock mode, open or close the oven door can cancel the program and the lock indicator light will turn off.

## AUTOMATIC PROTECTION MECHANISM

---

**OVERHEATING PROTECTION** - Digital tube has been shows E01 and had been "DE-DE" alarm when the system into the super high temperature protection status. The system into normal standby mode when faults remove and press STOP/CANCEL button.

**MICROTHERM PROTECTION** - Digital tube has been shows "E02" when the system enters into the super low temperature protection status. The system enters into normal standby mode when faults remove and press STOP/CANCEL button.

**SENSOR MALFUNCTION PROTECTION** - In case of short circuit, the system enters into malfunction protection. The display shows E03 with buzzer sounding, press the STOP/-CANCEL button, the oven will be back to normal.

**COOLING FEATURE** - The electronical controlling system of the microwave oven has the

feature of cooling. As for any cooking mode which cooking time above 2 minutes, open the oven door or the cooking program is paused, the oven fan will work about 3 minutes automatically to cool the oven for prolonging the life of the oven.

## AUTO MENU COOK

For food or the following cooking mode, it is not necessary to program the time and the cooking power. It is sufficient to indicate the type of food that you want to cook as well as the weight of this food. During cooking you can check the current time of the clock by pressing WEIGHT/CLOCK pad.

1. Open the door and place the food into the oven, close it.
2. Rotate the digital knob TIME/MENU in anti-clockwise once and then rotate it clockwise to select food code shown on the screen.
3. Press WEIGHT/CLOCK to enter weight or the number of servings.
4. Press START/QUICK START to start.

**NOTE:** You can check the the current time of the clock while cooking is in progress by pressing the WEIGHT/CLOCK pad.

Food Code	Food	Note
01	Potatoes (230g/ each)	<ol style="list-style-type: none"> <li>1. The user is required to set weight and then the oven will set the cooking time automatically.</li> <li>2. For Chicken, the oven will pause during cooking to remind you to turn food over then press START/ QUICK START to resume.</li> <li>3. For popcorn and cake, there is only one weight option.</li> <li>4. The result of auto cooking depends on factors such as fluctuation of voltage, the shape and size of food, your personal preference as to the doneness of certain foods and even how well you happen to place food in the oven. If you find the result at any rate not quite satisfactory, please adjust the cooking time a little bit accordingly.</li> </ol>
02	Beverage (200ml/cup)	
03	Popcorn (99g)	
04	Reheat (g)	
05	Spaghetti (g)	
06	Pizza (g)	
07	Chicken (g)	
08	Cake (475g)	

## CLEANING AND CARE

1. Turn off the oven and remove the power plug from the wall socket before cleaning.
2. Keep the inside of the oven clean. When food splatters or spilled liquids adhere to oven walls, wipe with a damp cloth. Mild detergent may be used if the oven gets very dirty.



Avoid the use of spray and other harsh cleaners as they may stain, streak or dull the door surface.

3. The outside surfaces should be cleaned with a damp cloth. To prevent damage to the operating parts inside the oven, water should not be allowed to seep into the ventilation openings.
4. Wipe the door and window on both sides, the door seals and adjacent parts frequently with a damp cloth to remove any spills or spatters. Do not use abrasive cleaner.
5. A steam cleaner is not be used.
6. Do not allow the control panel to become wet. Clean with a soft, damp cloth. When cleaning the control panel, leave oven door open to prevent oven from accidentally turning on.
7. If steam accumulates inside or around the outside of the oven door, wipe with a soft cloth. This may occur when the microwave oven is operated under high humidity condition. And it is normal.
8. It is occasionally necessary to remove the glass tray for cleaning. Wash the tray in warm sudsy water or in a dishwasher.
9. The roller ring and oven floor should be cleaned regularly to avoid excessive noise. Simply wipe the bottom surface of the oven with mild detergent. The roller ring may be washed in mild sudsy water or dishwasher. When removing the roller ring from cavity floor for cleaning, be sure to replace in the proper position.
10. Remove odors from your oven by combining a cup of water with the juice and skin of one lemon in a deep microwaveable bowl, microwave for 5 minutes. Wipe thoroughly and dry with a soft cloth.
11. When it becomes necessary to replace the oven light, please consult a dealer to have it replaced.
12. The oven should be cleaned regularly and any food deposits removed. Failure to maintain the oven in a clean condition could lead to deterioration of the surface that could adversely affect the life of the appliance and possibly result in a hazardous.
13. Please do not dispose this appliance into the domestic rubbish bin; it should be disposed to the particular disposal center provided by the municipalities.
14. When the microwave oven with grill function is first used, it may produce slight smoke and smell. This is a normal phenomenon because the oven is made of a steel plate coated with lubricating oil, and the new oven will produce fumes and odor generated by burning the lubricating oil. This phenomenon will disappear after a period of using.

#### CORRECT DISPOSAL OF THIS PRODUCT



According to Waste of Electrical and Electronic Equipment (WEEE) directive, WEEE should be separately collected and treated. If at any time in future you need to dispose of this product please do NOT dispose of this product with household waste. Please send this product to WEEE collecting points where available.





Tous les papiers  
se trient et se recyclent.

**BUT INTERNATIONAL**  
**1 Avenue Spinoza**  
**77184 Emerainville, France**