
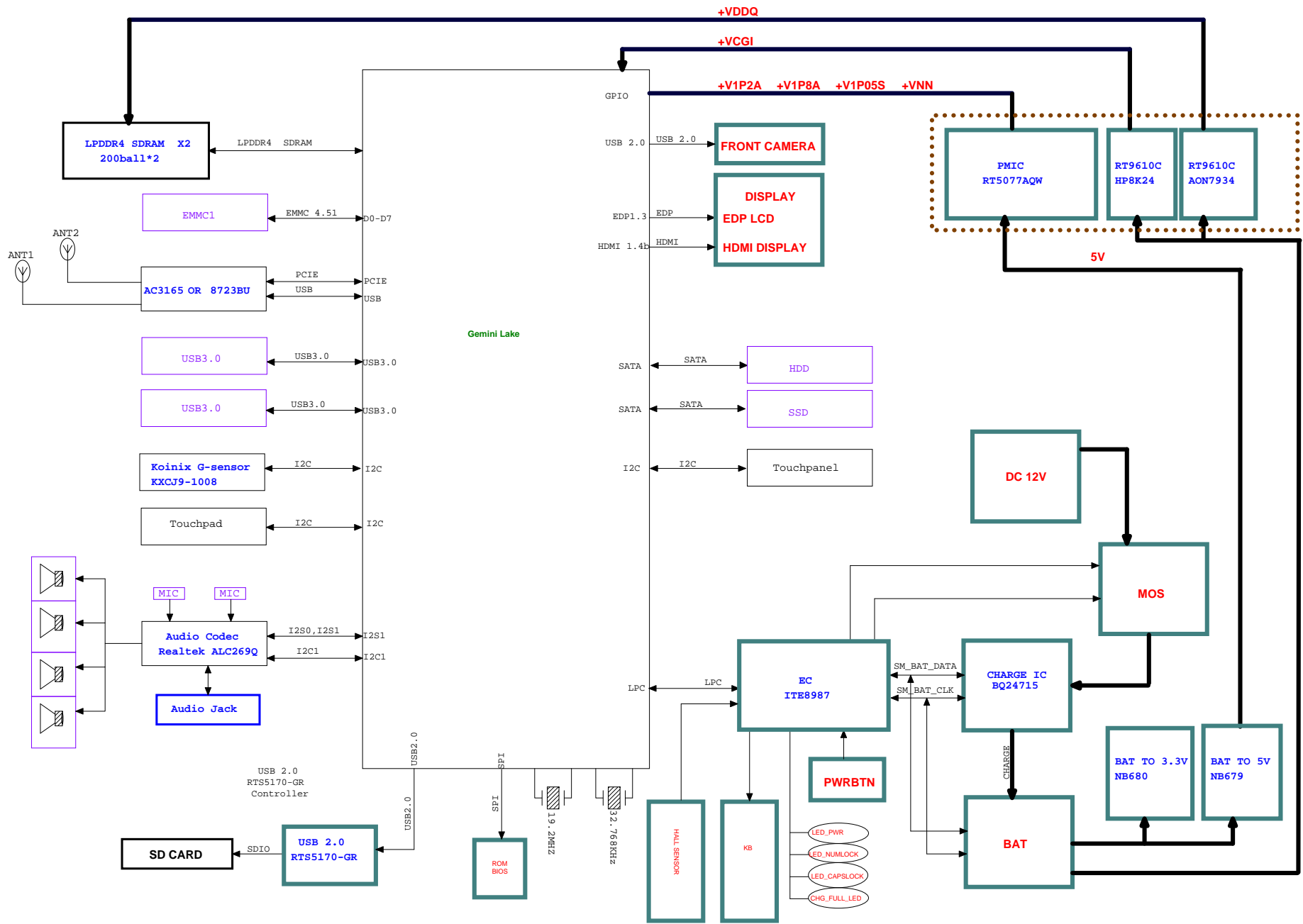


Gemini Lake

Y116GRX300

 Gemini Lake		
Title Gemini Lake		
Size Custom	Document Number	Rev R100
COVER PAGE		
Date: Monday, July 19, 2021	Sheet 1	of 57

CG14D01 Circuit diagram



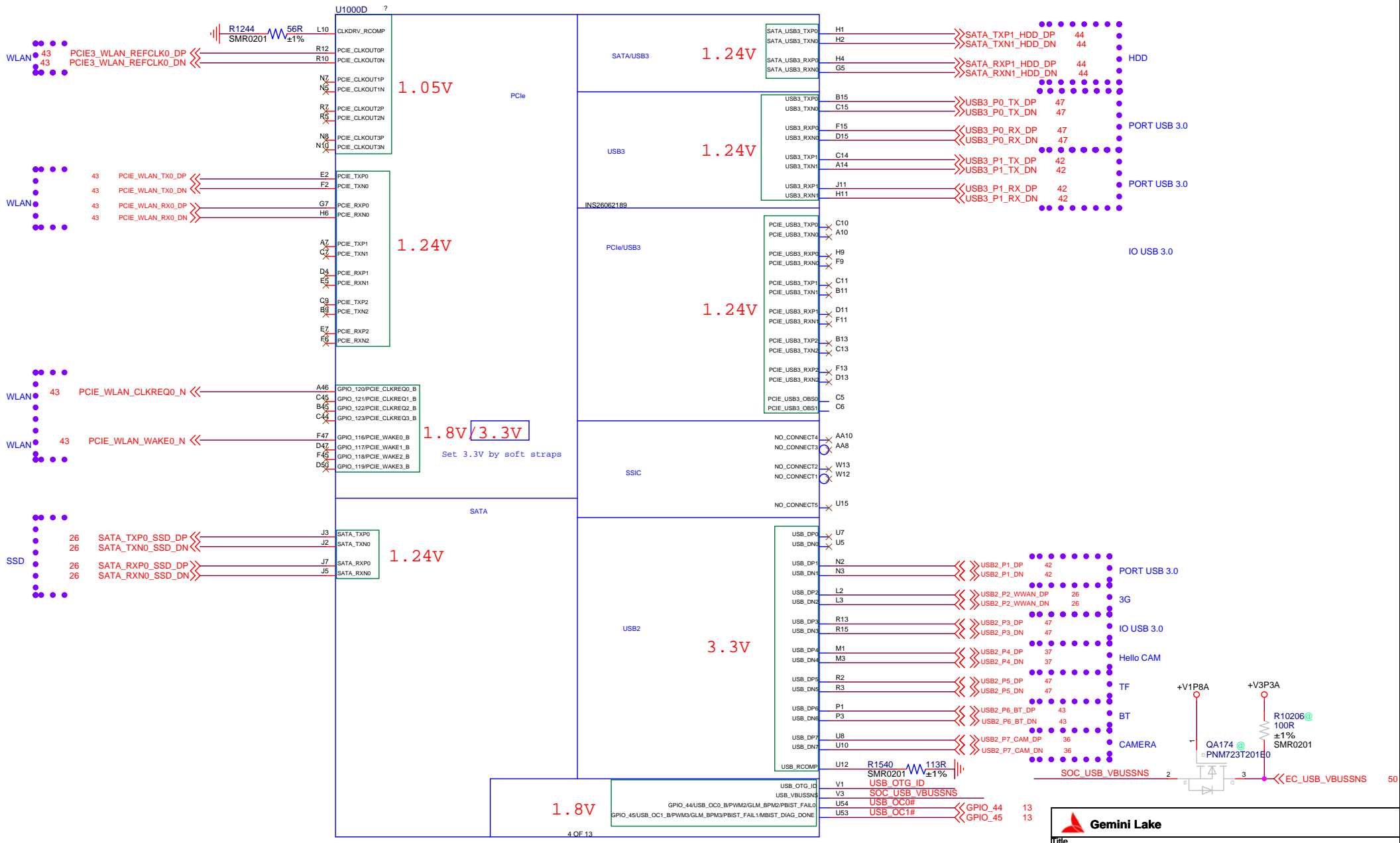
	DDR4_LP3_LP4	DDR4_LP3_LP4	
AY3	DDR1CH0DQ0_DQ40_DQ88_DQ88	DDR1CH0DQSP0_DQSP0_DQSPA0_DQSPA0	BJ24
BD3	DDR1CH0DQ1_DQ41_DQ89_DQ89	DDR1CH0DQSN0_DQSN0_DQSN40_DQSN40	BK25
BD1	DDR1CH0DQ2_DQ42_DQ810_DQ810		
BC3	DDR1CH0DQ3_DQ43_DQ811_DQ811	DDR1CH0DQSP1_DQSP1_DQSPA1_DQSPA1	BD25
AY1	DDR1CH0DQ4_DQ44_DQ812_DQ812	DDR1CH0DQSN1_DQSN1_DQSN41_DQSN41	BF25
BA3	DDR1CH0DQ5_DQ45_DQ813_DQ813		
BA2	DDR1CH0DQ6_DQ46_DQ814_DQ814	DDR1CH0DQSP2_DQSP2_DQSPA2_DQSPA2	BL18
BE2	DDR1CH0DQ7_DQ47_DQ815_DQ815	DDR1CH0DQSN2_DQSN2_DQSN42_DQSN42	BL18
AR8	DDR1CH0DQ8_DQ32_DQ816_DQ816		
AN15	DDR1CH0DQ9_DQ33_DQ817_DQ817	DDR1CH0DQSP3_DQSP3_DQSPA3_DQSPA3	AV19
AN17	DDR1CH0DQ10_DQ34_DQ818_DQ818	DDR1CH0DQSN3_DQSN3_DQSN43_DQSN43	AV21
AU12	DDR1CH0DQ11_DQ35_DQ819_DQ819		
AN12	DDR1CH0DQ12_DQ36_DQ820_DQ820	DDR1CH0DQSP1_DQSP4_DQSPB0_DQSPB0	AR13
AN13	DDR1CH0DQ13_DQ37_DQ821_DQ821	DDR1CH0DQSN1_DQSN4_DQSNB0_DQSNB0	AR15
AU13	DDR1CH0DQ14_DQ38_DQ822_DQ822		
AU15	DDR1CH0DQ15_DQ39_DQ823_DQ823	DDR1CH0DQSP0_DQSP5_DQSPB1_DQSPB1	BB3
AP3	DDR1CH0DQ16_DQ56_DQ824_DQ824	DDR1CH0DQSN0_DQSN5_DQSNB1_DQSNB1	BC2
AU2	DDR1CH0DQ17_DQ57_DQ825_DQ825		
AV3	DDR1CH0DQ18_DQ58_DQ826_DQ826	DDR1CH0DQSP3_DQSP6_DQSPB2_DQSPB2	AW7
AV3	DDR1CH0DQ19_DQ59_DQ827_DQ827	DDR1CH0DQSN3_DQSN6_DQSNB2_DQSNB2	AW8
AN2	DDR1CH0DQ20_DQ60_DQ828_DQ828		
AR1	DDR1CH0DQ21_DQ61_DQ829_DQ829	DDR1CH0DQSP2_DQSP7_DQSPB3_DQSPB3	AT1
AR3	DDR1CH0DQ22_DQ62_DQ830_DQ830	DDR1CH0DQSN2_DQSN7_DQSNB3_DQSNB3	AT3
AV1	DDR1CH0DQ23_DQ63_DQ831_DQ831		
AR5	DDR1CH0DQ24_DQ48_DQ816_DQ816	DDR1CH0CA7_MA0_CAB972_NCNC	BH9
BA8	DDR1CH0DQ25_DQ49_DQ817_DQ817	DDR1CH0CA3_MA1_CAB890_NCNC	BC13
AU7	DDR1CH0DQ26_DQ50_DQ818_DQ818	DDR1CH0CA8_MA2_CAB554_CAB554	BD11
AU5	DDR1CH0DQ27_DQ51_DQ819_DQ819	DDR1CH0CA4_MA3_NCNCNC_NCNC	BD13
BA5	DDR1CH0DQ28_DQ52_DQ820_DQ820	DDR1CH0CA6_MA10_CAB763_NCNC	BF11
BA7	DDR1CH0DQ29_DQ53_DQ821_DQ821	DDR1CH0CA0_MA13_CAB009_CAB009	BE5
AU8	DDR1CH0DQ30_DQ54_DQ822_DQ822	DDR1CH0CA9_MA16_CAB336_CAB336	BH5
BA10	DDR1CH0DQ31_DQ55_DQ823_DQ823	DDR1CH0CA10_BA0_CAB427_CAB444	BH6
		DDR1CH0CA5_BA1_CAB681_NCNC	BF13
		DDR1CH0CA1_BG1_CAB245_CAB222	BG4
		DDR1CH0CA2_ACTN_CAB118_CAB111	BE7
BZ6	DDR1CH1DQ0_DQ0_DQA0_DQA0		
BL26	DDR1CH1DQ1_DQ1_DQA1_DQA1		
BZ2	DDR1CH1DQ2_DQ2_DQA2_DQA2		
BK27	DDR1CH1DQ3_DQ3_DQA3_DQA3		
BZ3	DDR1CH1DQ4_DQ4_DQA4_DQA4	DDR1CH1CA1_MA11_CAA763_NCNC	BK11
BK33	DDR1CH1DQ5_DQ5_DQA5_DQA5	DDR1CH1CA7_MA12_CAA654_NCNC	BL12
BZ2	DDR1CH1DQ6_DQ6_DQA6_DQA6	DDR1CH1CA3_MA14_CAA891_NCNC	BK9
BL22	DDR1CH1DQ7_DQ7_DQA7_DQA7	DDR1CH1CA0_MA15_CAA890_NCNC	BJ11
BD27	DDR1CH1DQ8_DQ8_DQA8_DQA8	DDR1CH1CA2_BG0_CAA572_CAA555	BJ10
BF27	DDR1CH1DQ9_DQ9_DQA9_DQA9	DDR1CH1CA4_MA4_NCNCNC_NCNC	BJ4
BH27	DDR1CH1DQ10_DQ10_DQA10_DQA10	DDR1CH1CA10_MA5_CAA027_CAA027	BL6
BC27	DDR1CH1DQ11_DQ11_DQA11_DQA11	DDR1CH1CA8_MA6_CAA209_CAA21	BJ5
BH21	DDR1CH1DQ12_DQ12_DQA12_DQA12	DDR1CH1CA5_MA7_CAA436_CAA43	BJ9
BF23	DDR1CH1DQ13_DQ13_DQA13_DQA13	DDR1CH1CA9_MA8_CAA318_CAA30	BL6
BD23	DDR1CH1DQ14_DQ14_DQA14_DQA14	DDR1CH1CA6_MA9_CAA145_CAA14	BJ8
BF21	DDR1CH1DQ15_DQ15_DQA15_DQA15		
BK19	DDR1CH1DQ16_DQ16_DQA16_DQA16	DDR1CH0CKP_CKP0_CKP0B_CKP0B	BF17
BL20	DDR1CH1DQ17_DQ17_DQA17_DQA17	DDR1CH0CKN_CKN0_CKN0B_CKN0B	BD17
BL20	DDR1CH1DQ18_DQ18_DQA18_DQA18		
BJ21	DDR1CH1DQ19_DQ19_DQA19_DQA19	DDR1CH1CKP_CKP1_CKP1A_CKP1A	BF15
BJ17	DDR1CH1DQ20_DQ20_DQA20_DQA20	DDR1CH1CKN_CKN1_CKN1A_CKN1A	BH15
BJ16	DDR1CH1DQ21_DQ21_DQA21_DQA21		
BK15	DDR1CH1DQ22_DQ22_DQA22_DQA22	DDR1CH0CKE0_NC_CKE0B_CKE0B	BJ13
BL16	DDR1CH1DQ23_DQ23_DQA23_DQA23	DDR1CH0CKE1_NC_CKE1B_CKE1B	BL12
BA21	DDR1CH1DQ24_DQ24_DQA24_DQA24	DDR1CH0CSB0_NC_CSB0B_CSB0B	BF1
AY23	DDR1CH1DQ25_DQ25_DQA25_DQA25	DDR1CH0CSB1_CS1N_CSB1B_CS1B	BF2
BA23	DDR1CH1DQ26_DQ26_DQA26_DQA26	DDR1CH0ODT_ODT1_ODTB_CS0B	BC7
BA17	DDR1CH1DQ27_DQ27_DQA27_DQA27		
AY21	DDR1CH1DQ28_DQ28_DQA28_DQA28	DDR1CH1CSB0_CSB0_CSB0A_CS0A	BH2
AY17	DDR1CH1DQ29_DQ29_DQA29_DQA29	DDR1CH1ODT_ODT0_ODTA_CS1A	BC8
AY19	DDR1CH1DQ30_DQ30_DQA30_DQA30	DDR1CH1CSB1_CS1N_CSB1A_CS1A	BC22
BA19	DDR1CH1DQ31_DQ31_DQA31_DQA31	DDR1CH1CKE0_CKE0_CKE0A_CKE0A	BK13
		DDR1CH1CKE1_CKE1_CKE1A_CKE1A	BJ14
		DDRRPDEXT_RPDEXT_RPDEXT	AY29 DDR0_RCOMP R6287 SMR0201 110R ±1%
		DDR1RESETB_NC	BC15
		DDR1RPDEXT_NC	AY27 DDR1_RCOMP R6288 SMR0201 110R ±1%
		DDR1VREFCA_VREFCA_NC	AV27
		DDR1VREFDQ_VREFDQ_NC	AV25
		DDRRESETB_NC_RESETB	BC43 MO_DRAMRST_N >>> MO_DRAMRST_N 19

Gemini Lake

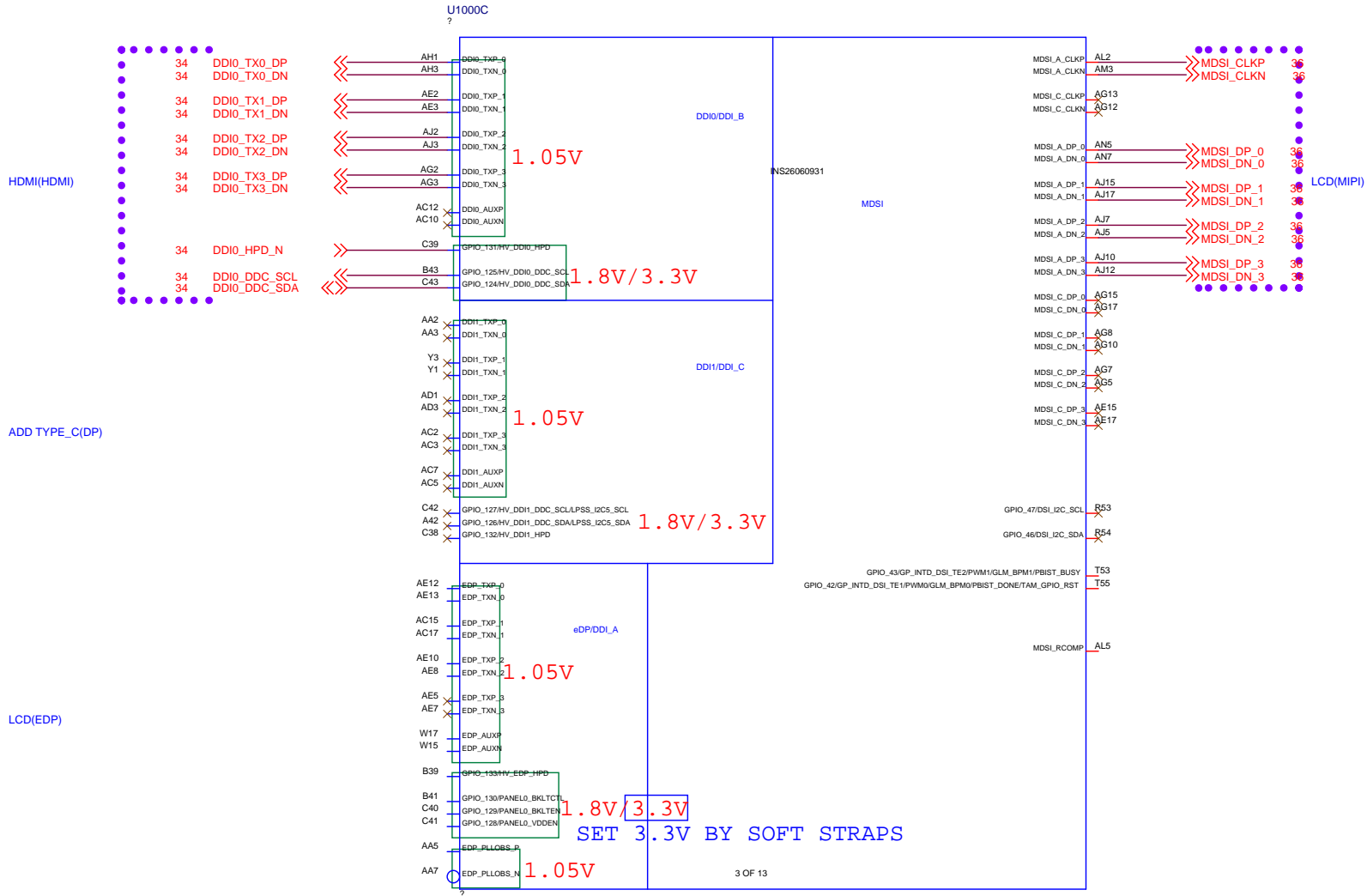
Title Gemini Lake

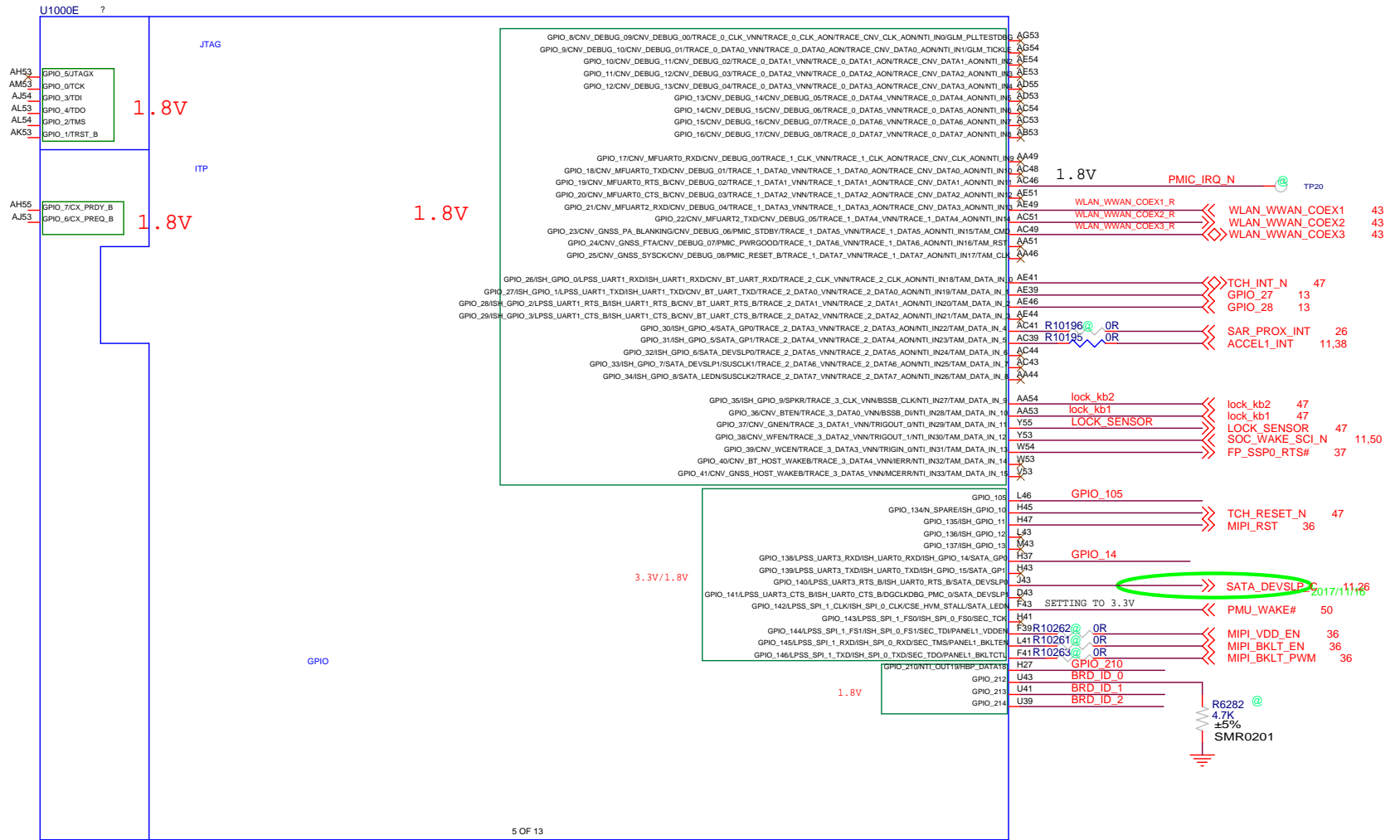
Size B Document Number **GEMINI LAKE SOC-LPDDR4 CA120** Rev

Date: Monday, June 21, 2021 Sheet 4 of 57



Gemini Lake	
Title Gemini Lake	
Size B	Document Number
GEMINI LAKE SOC-3 of 12 (PC R100)	
Date: Monday, July 19, 2021	Sheet 5 of 57





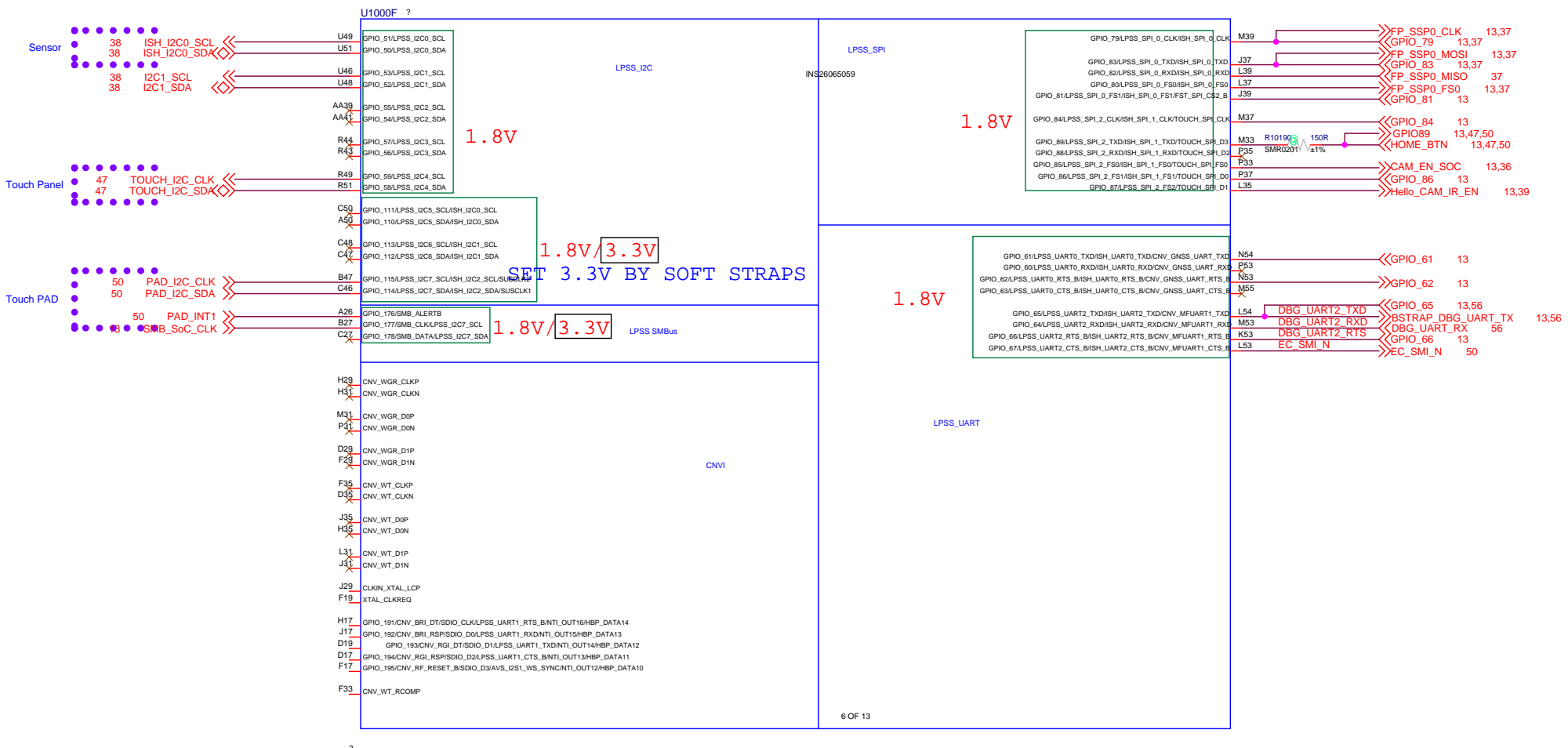
	BRD_ID_2	BRD_ID_1	BRD_ID_0
SKU1 (DEFAULT)	0 R6280 (EMPTY)	0 R6281 (EMPTY)	1 R6282 (EMPTY)
SKU2	0 R6280 (EMPTY)	1 R6281 (STUFF)	1 R6282 (EMPTY)

Gemini Lake

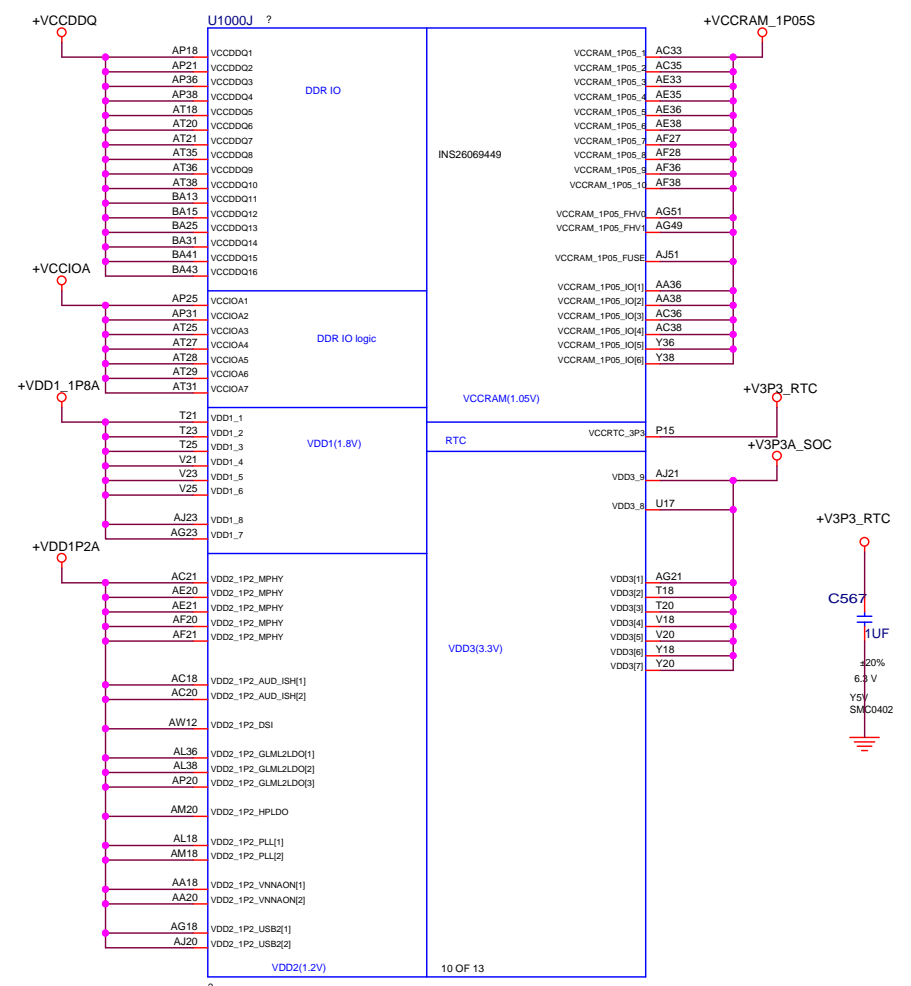
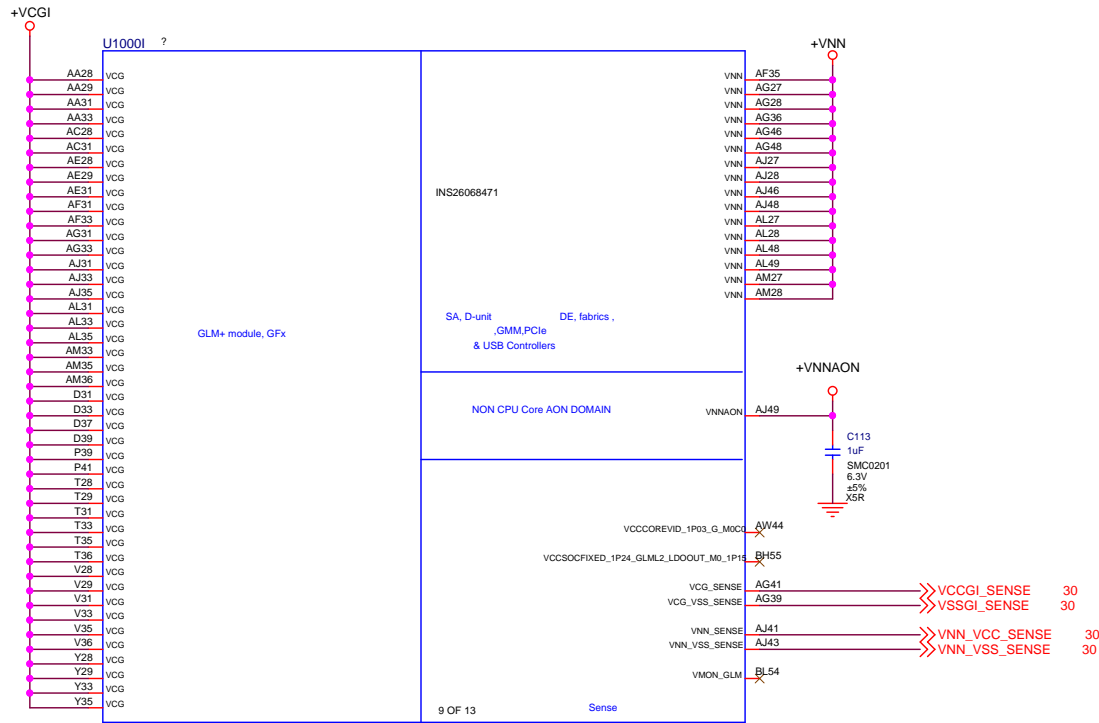
Title: Gemini Lake

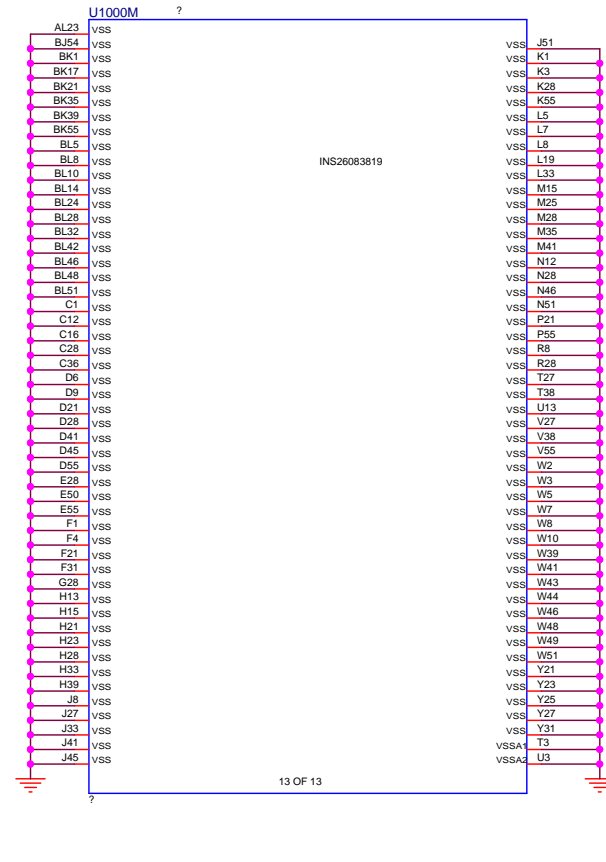
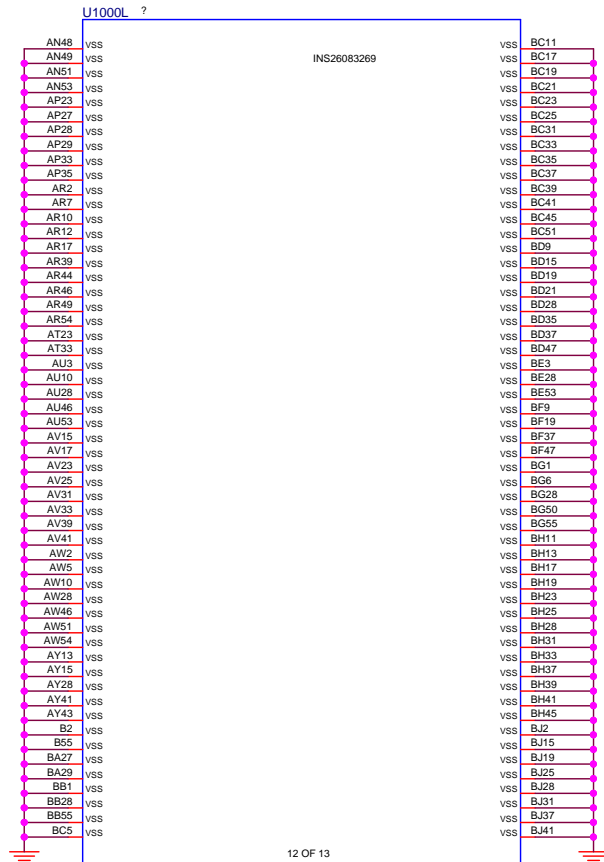
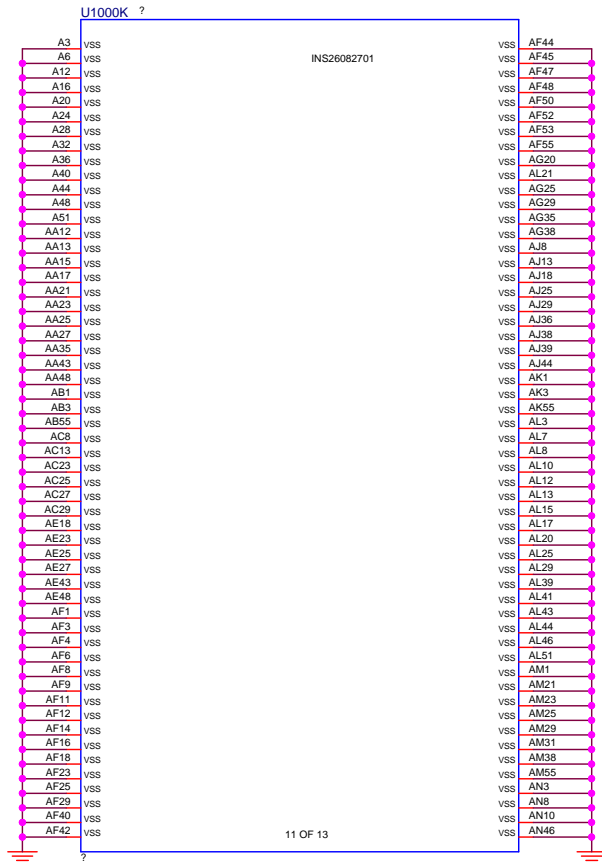
Size B: Document Number **GEMINI LAKE SOC-5 of 12 (EM)** Rev R100

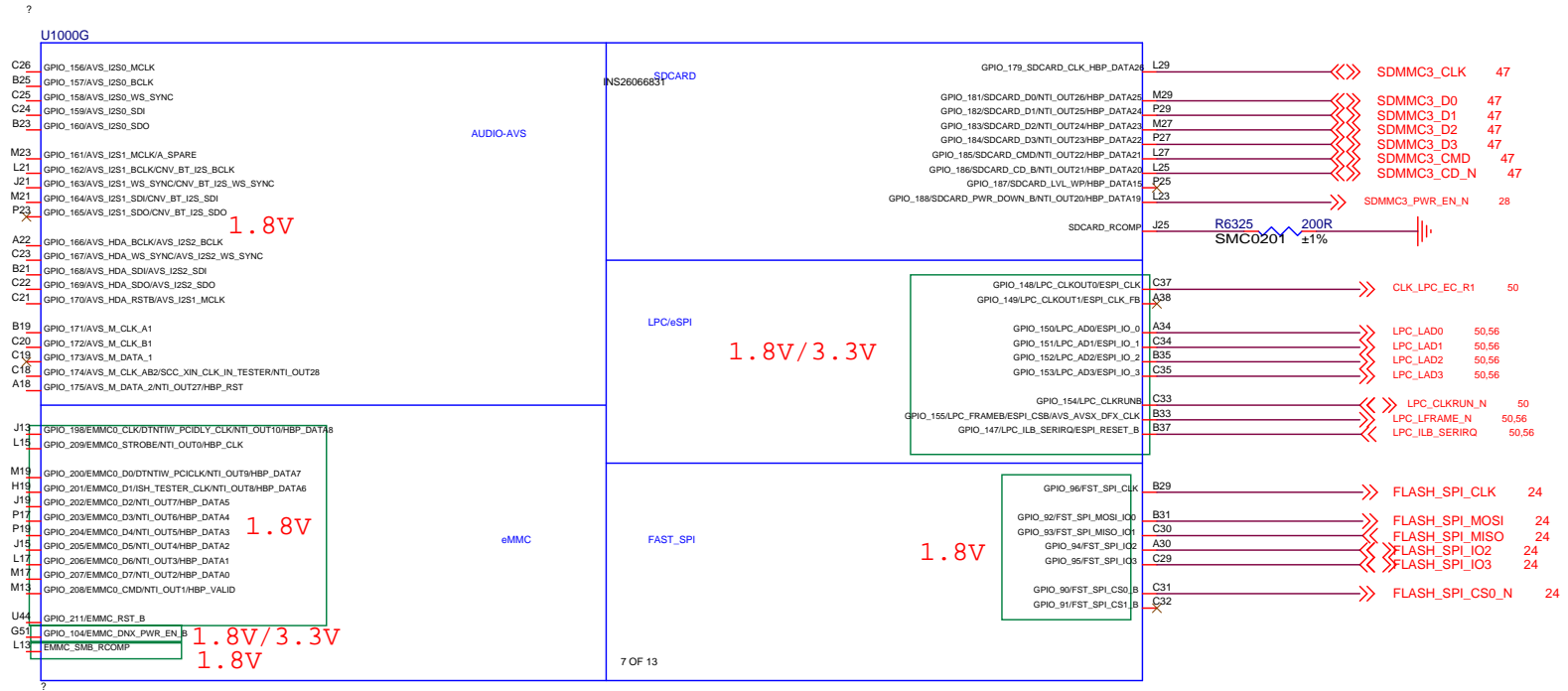
Date: Monday, July 19, 2021 Sheet 7 of 57



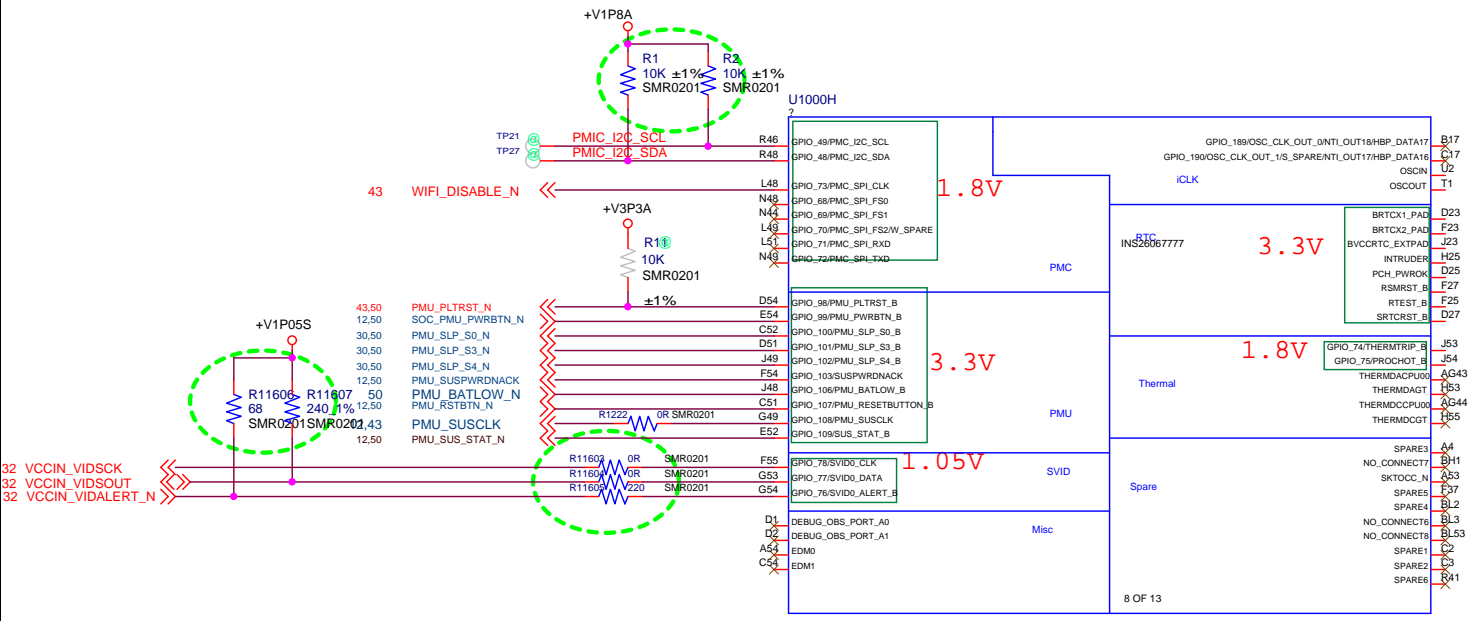
Title Gemini Lake			
Size B	Document Number	Rev R100	
GEMINI LAKE SOC-6 of 12 (PM)			
Date: Monday, July 19, 2021	Sheet 8 of 57		

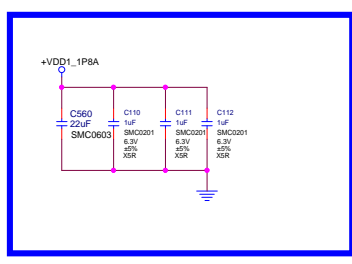
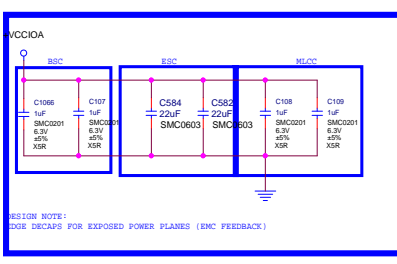
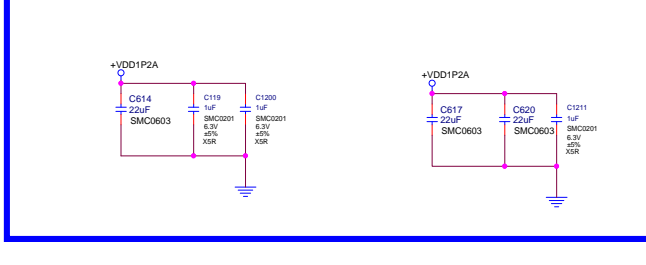
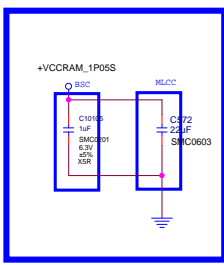
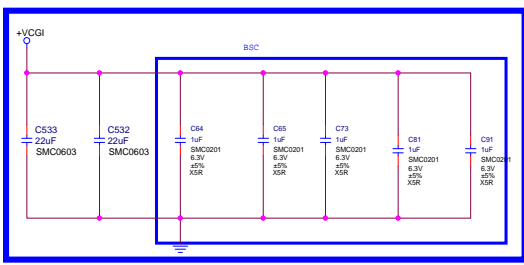
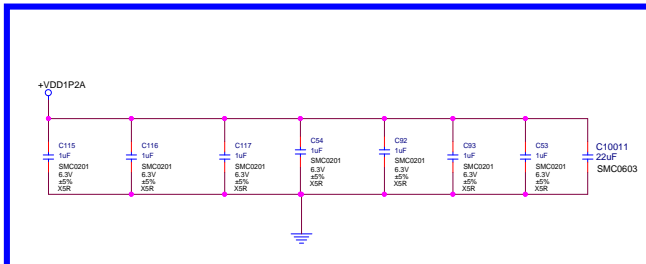
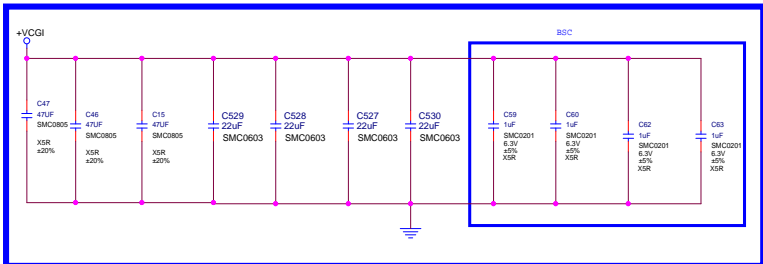
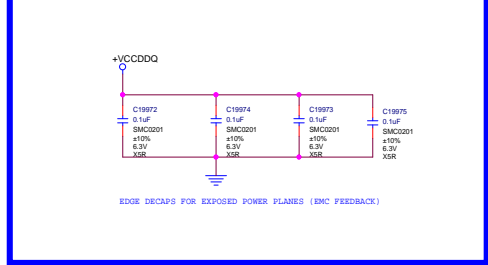
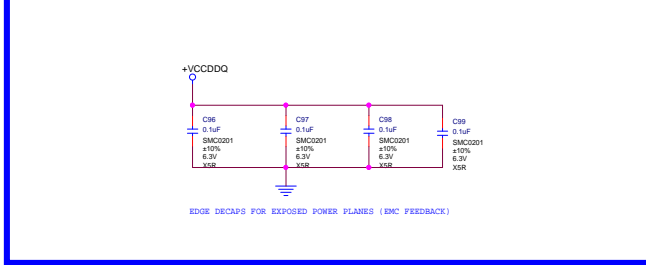
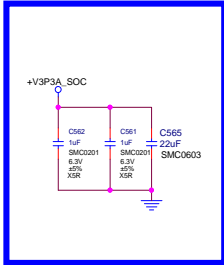
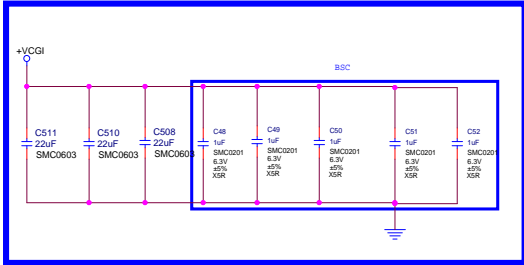
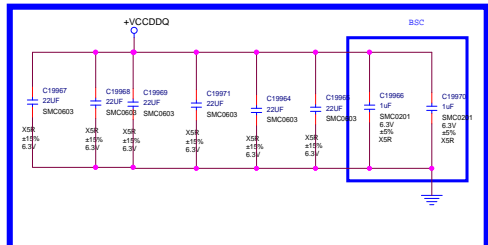
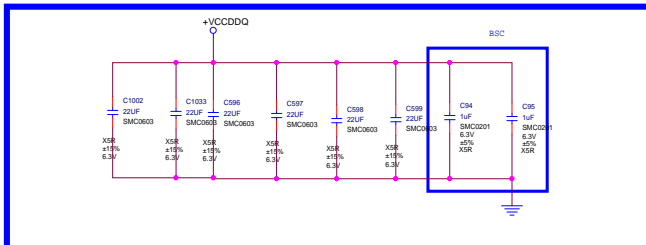
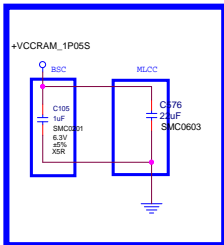
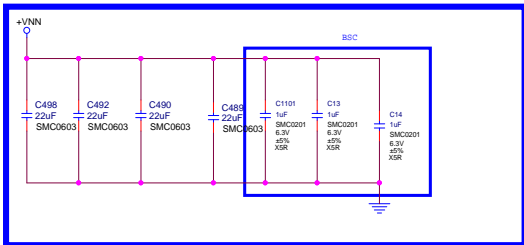




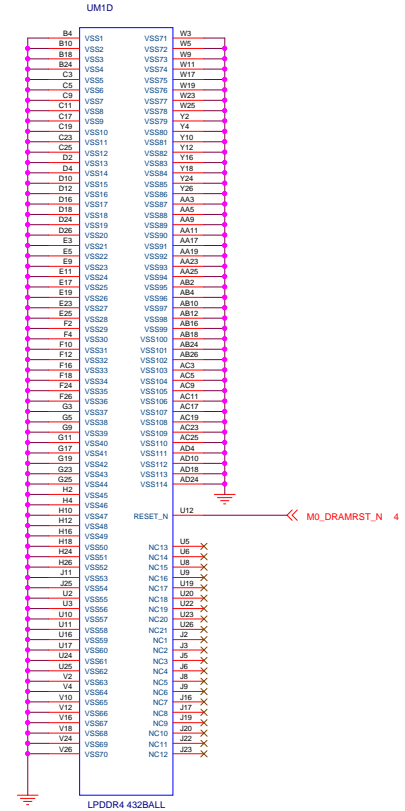
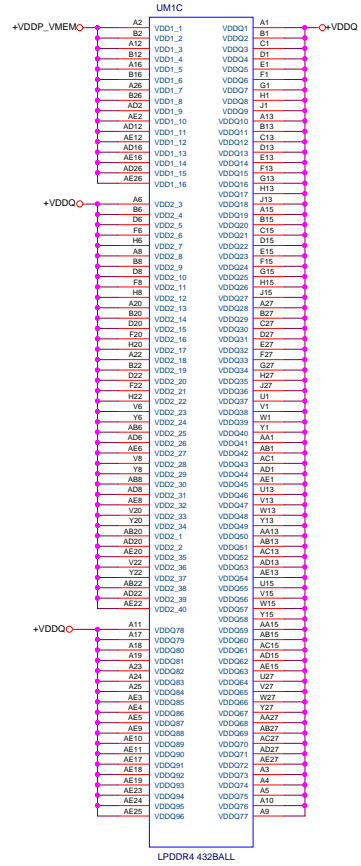
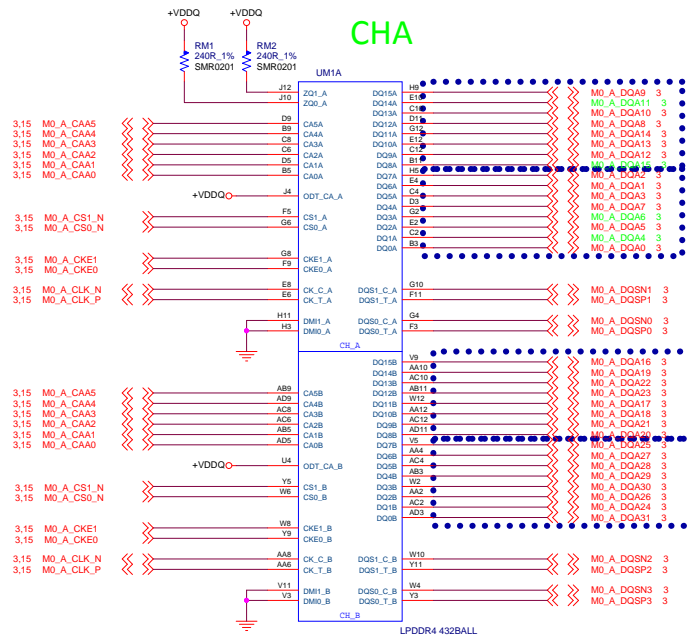


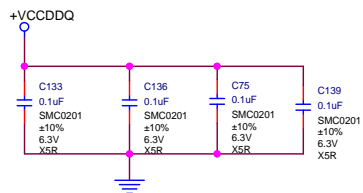
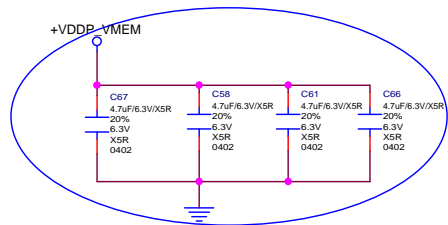
Title			
Gemini Lake			
Size	Document Number		Rev
B	GEMINI LAKE SOC-4 of 13(EM		R100
Date:	Monday, July 19, 2021	Sheet	11 of 57



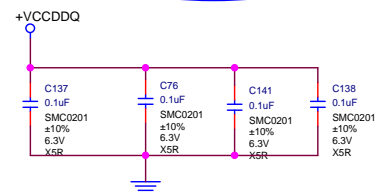
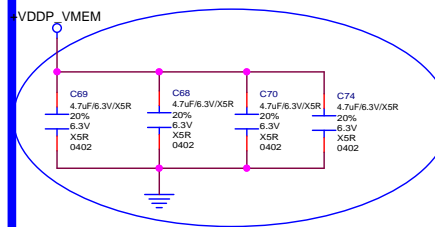


CHA

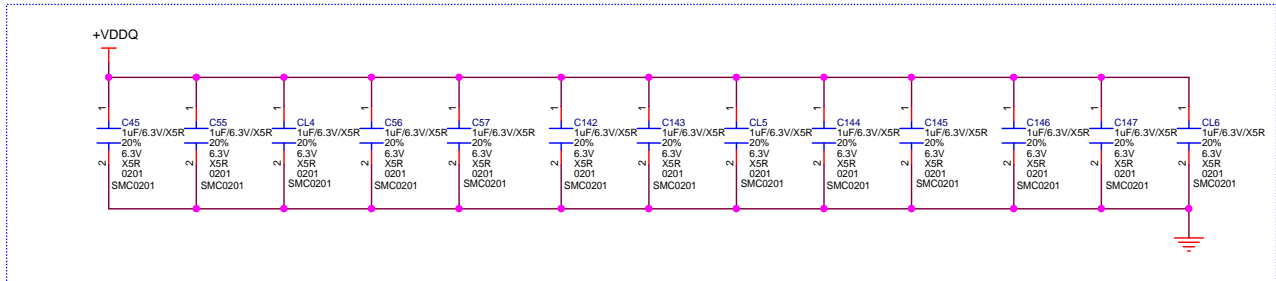
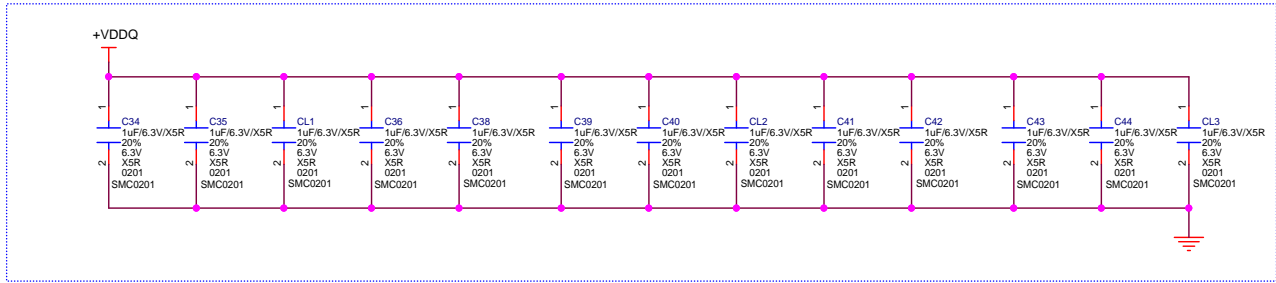





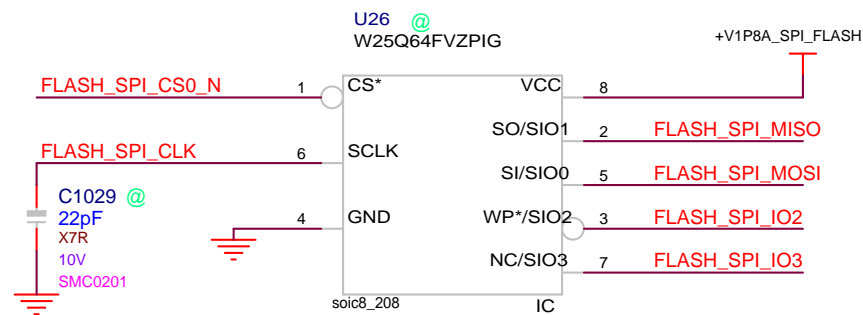
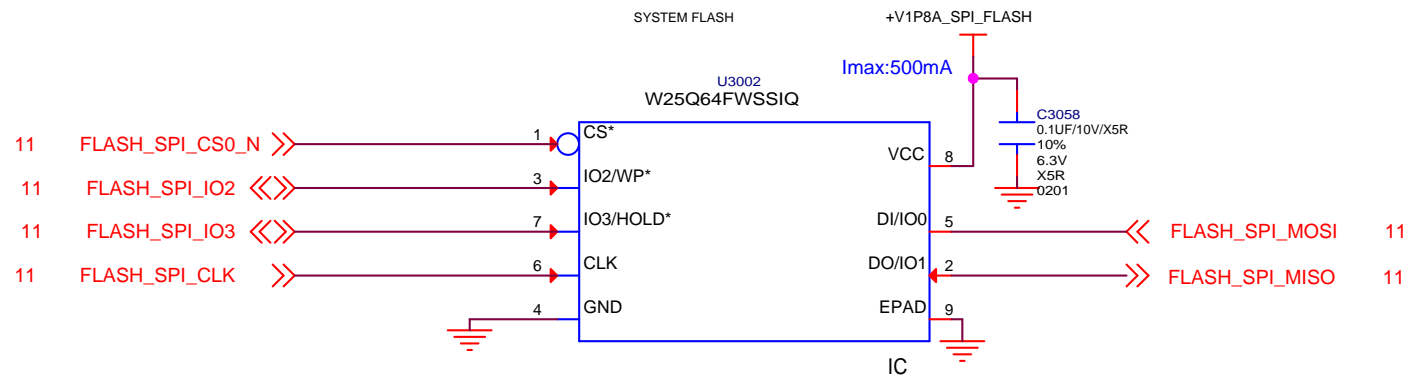
EDGE DECAPS FOR EXPOSED POWER PLANES (EMC FEEDBACK)

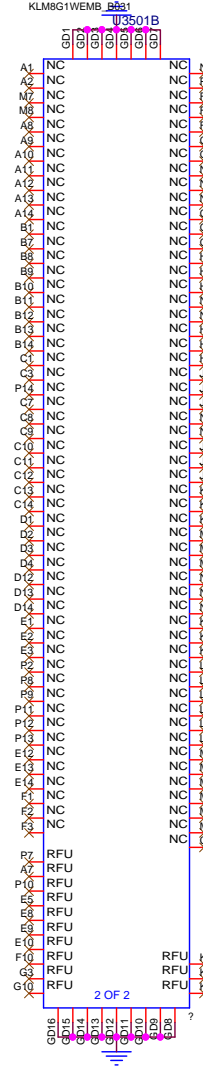
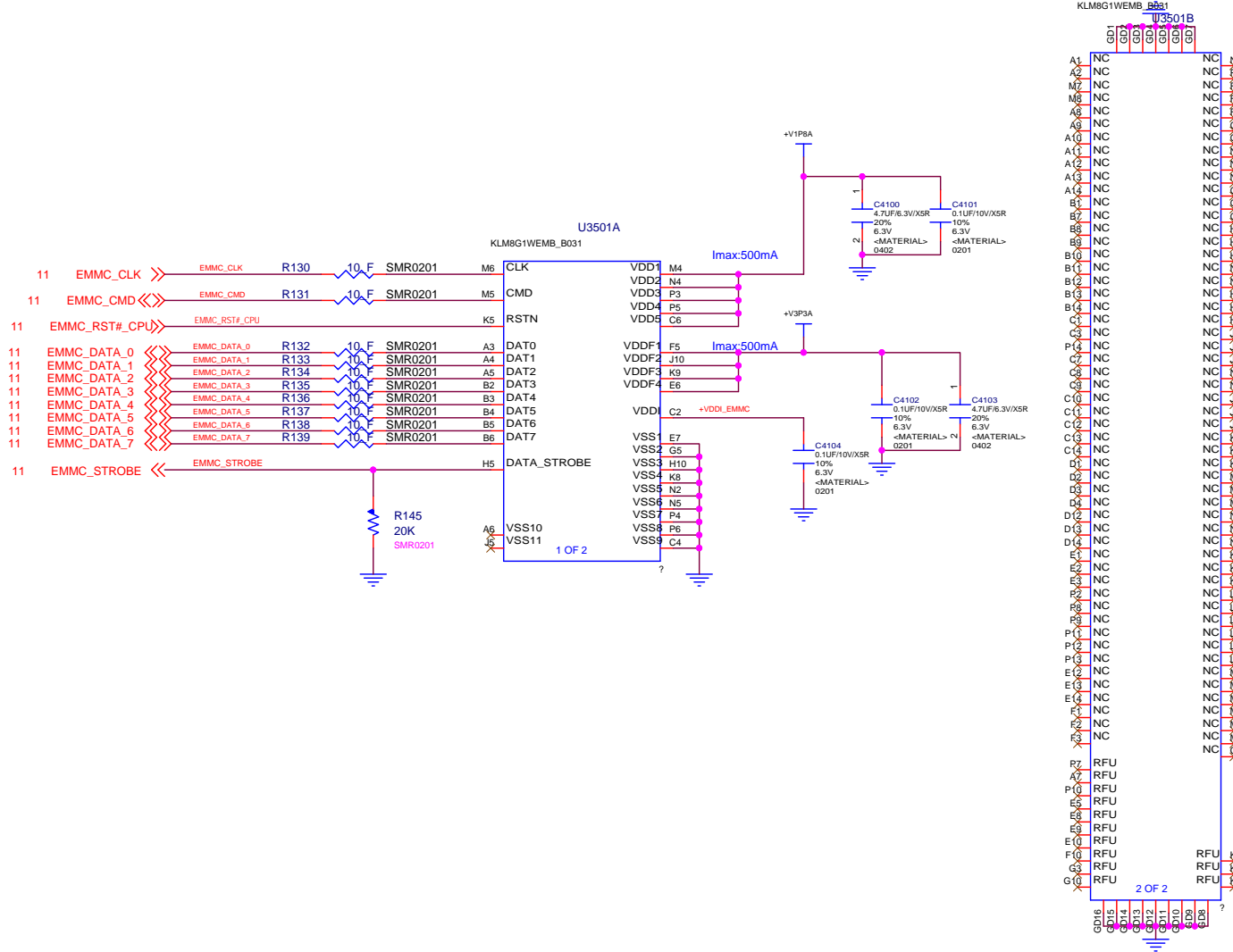



EDGE DECAPS FOR EXPOSED POWER PLANES (EMC FEEDBACK)

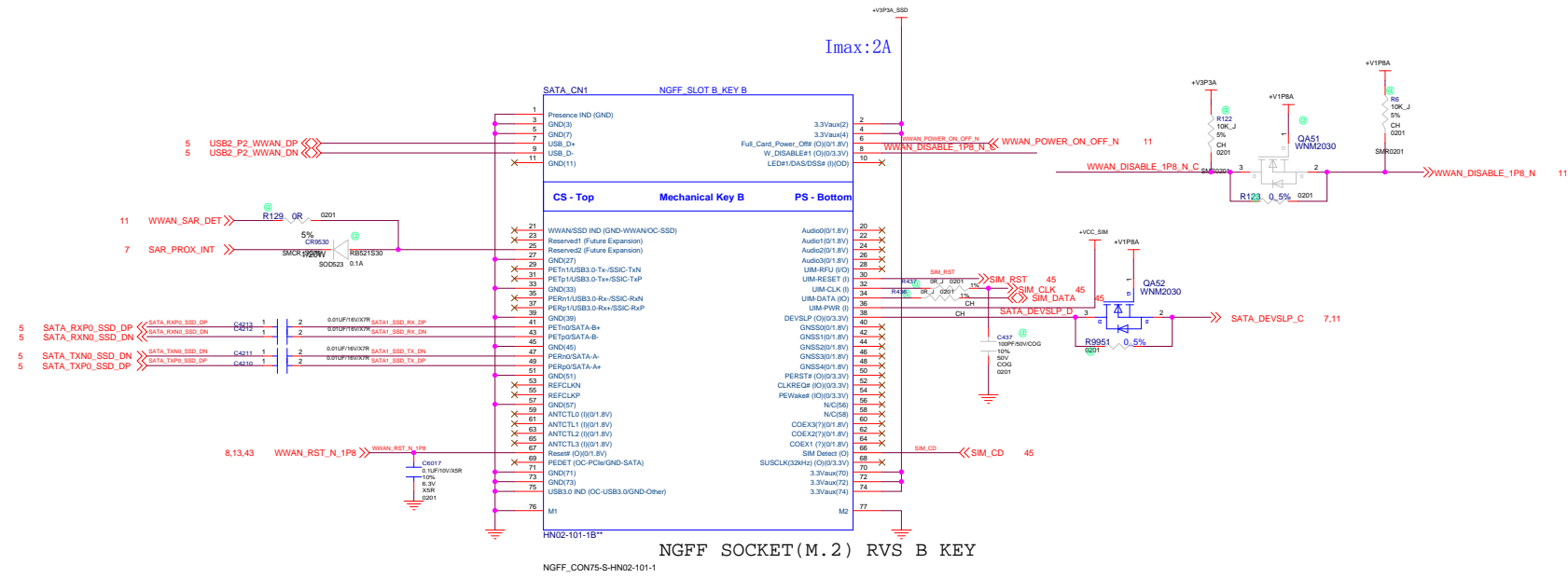
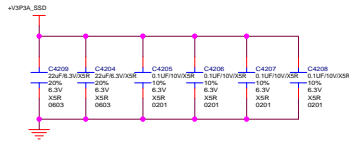
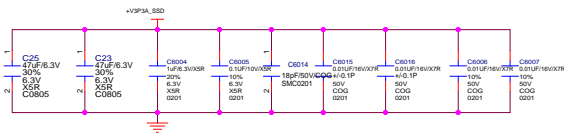



 Gemini Lake		
Title		
Gemini Lake		
Size	Document Number	Rev
B	LPDDR3 DECOUPLING	R100
Date:	Monday, June 21, 2021	Sheet 23 of 57

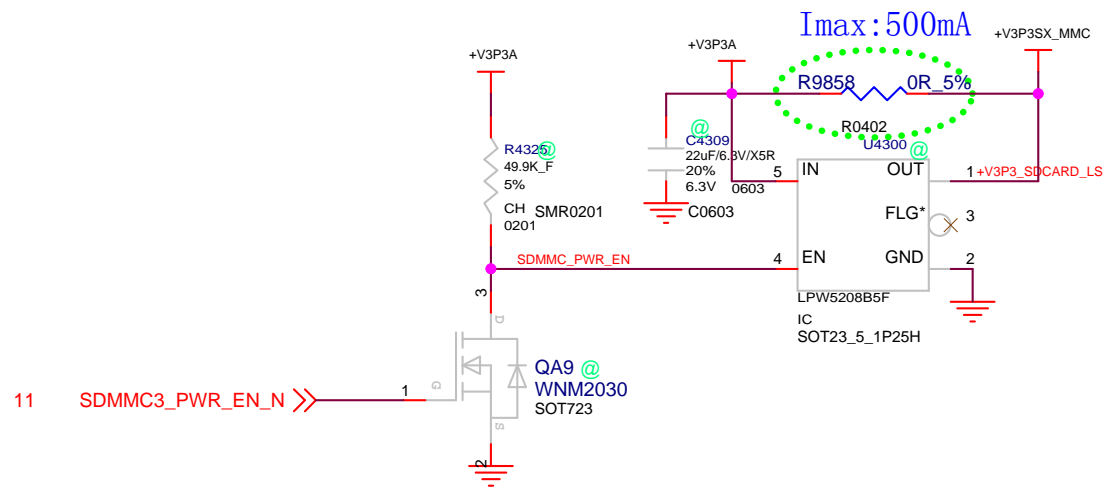





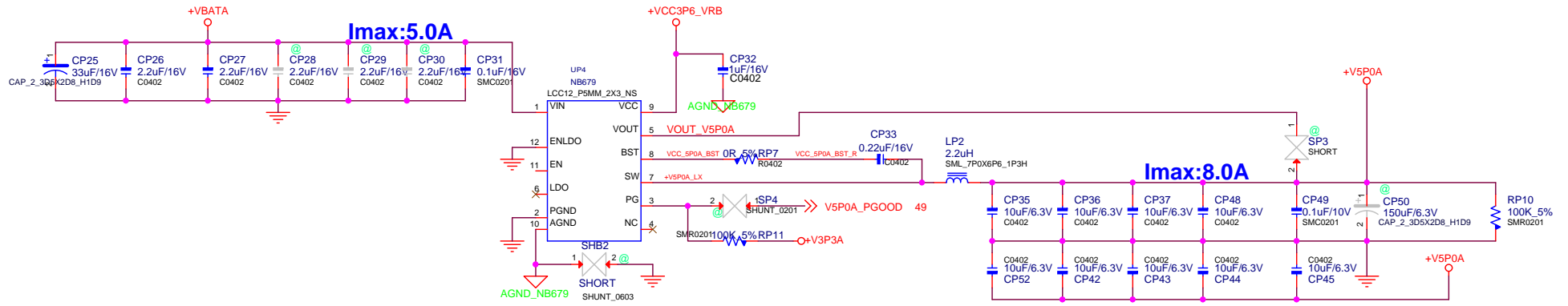
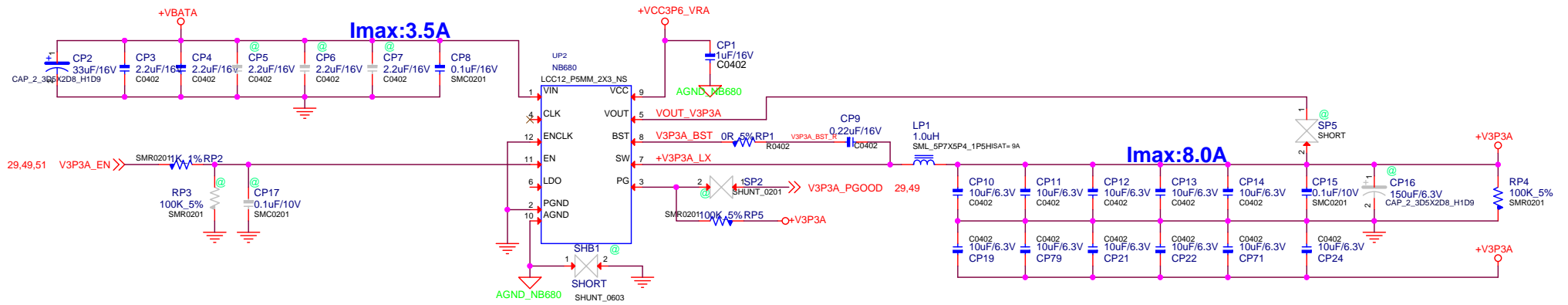
 Gemini Lake		
Title Gemini Lake		
Size B	Document Number EMMC	Rev R100
Date: Monday, July 19, 2021	Sheet 25	of 57




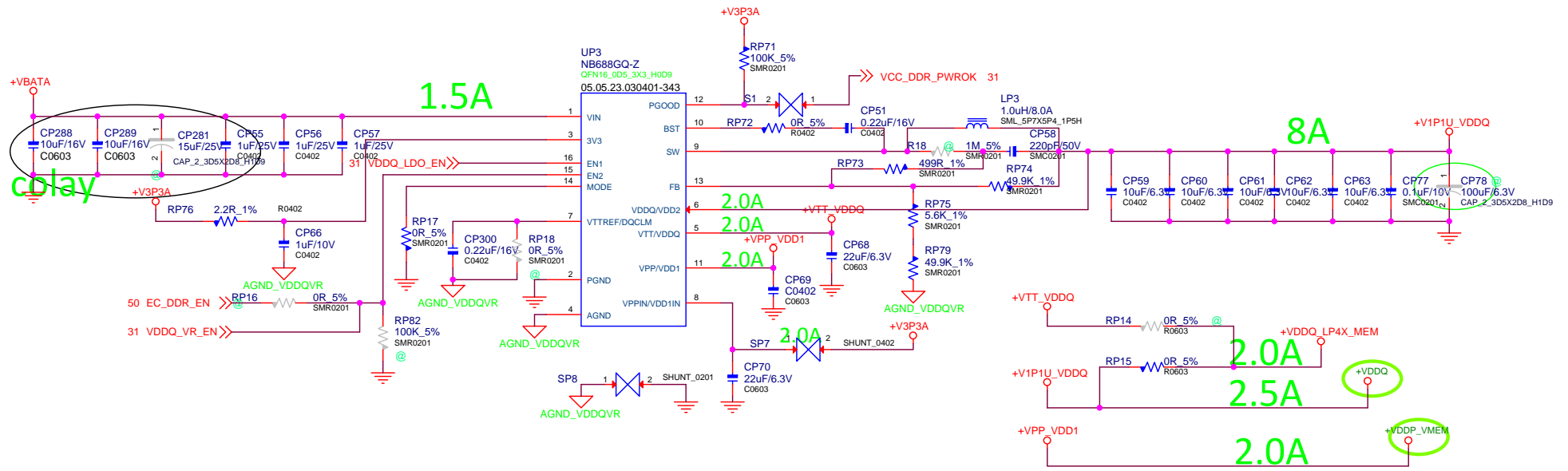
 Gemini Lake		
Title Gemini Lake		
Size B	Document Number MICRO-SD CARD	Rev R100
Date: Monday, June 21, 2021	Sheet 27 of 57	




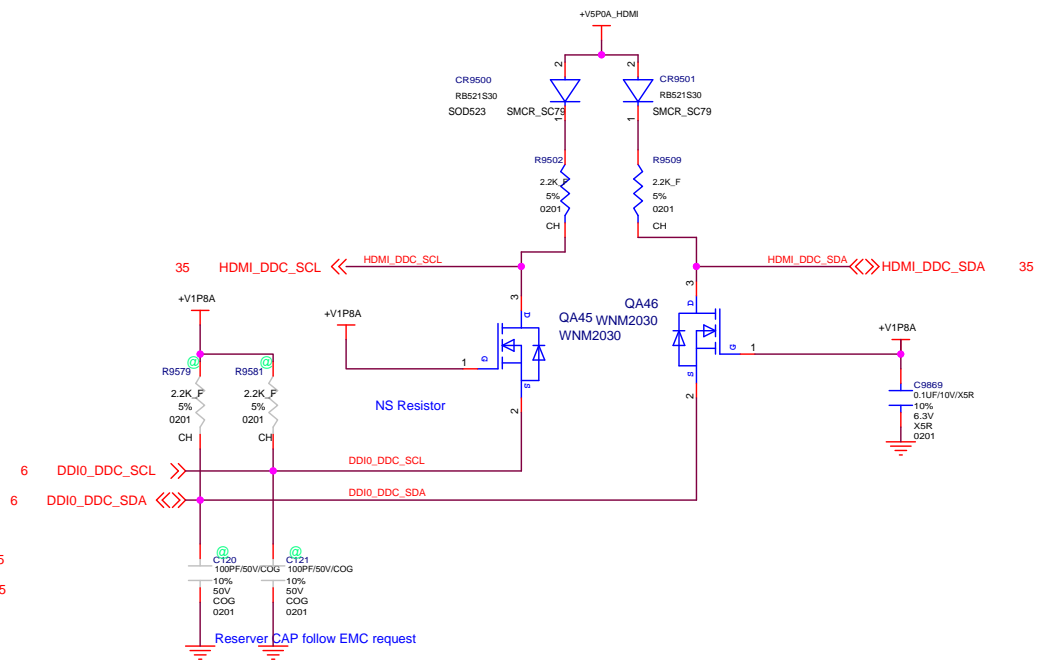
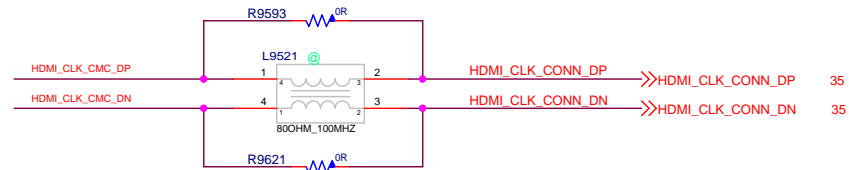
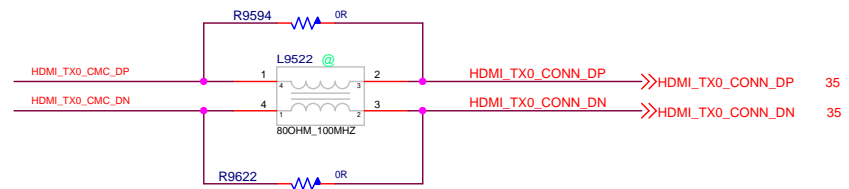
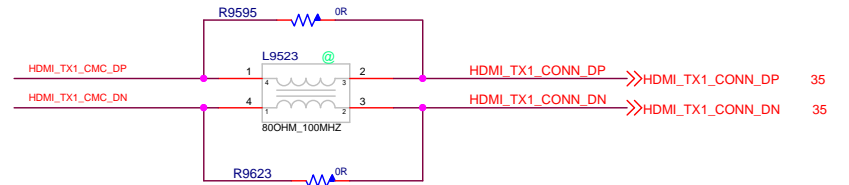
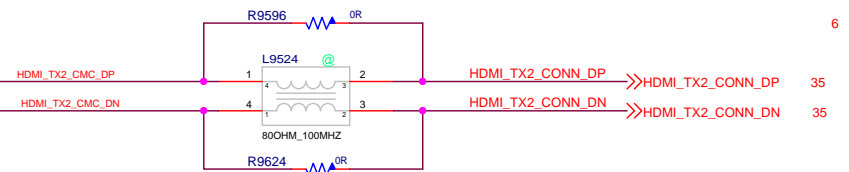
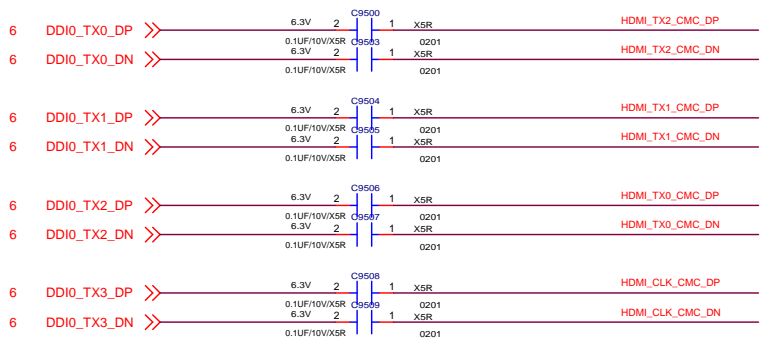
 Gemini Lake		
Title Gemini Lake		
Size A	Document Number SDCARD POWER	Rev R100
Date:	Monday, June 21, 2021	Sheet 28 of 57



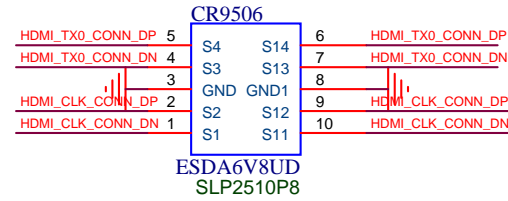
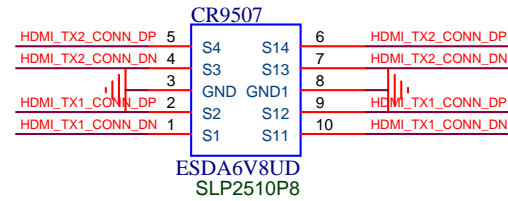
 Gemini Lake		
Title Gemini Lake		
Size B	Document Number POWER DELIVERY 5V AND 3.3V	Rev R100
Date: Monday, July 19, 2021	Sheet 29	of 57



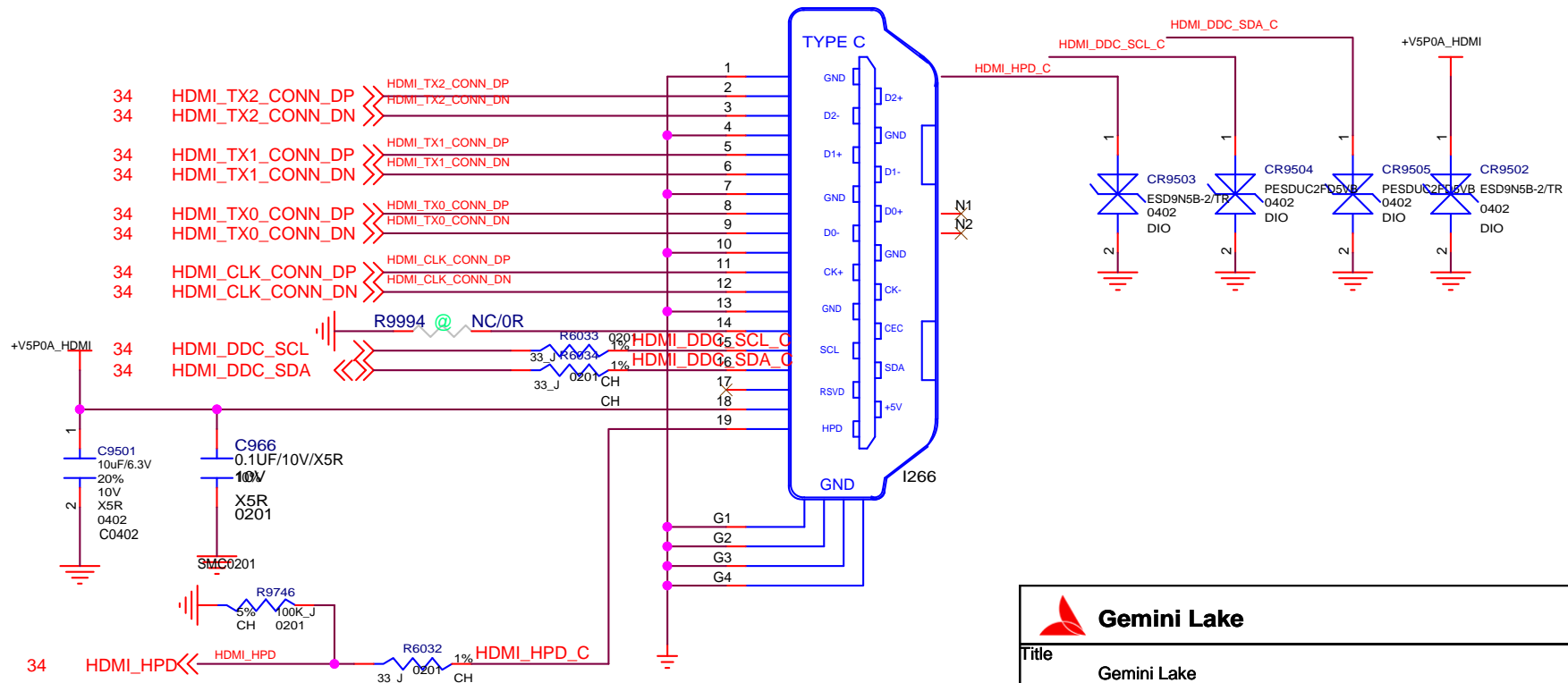
 Gemini Lake		
Title Gemini Lake		
Size B	Document Number NC	Rev R100
Date: Monday, July 19, 2021	Sheet 32	of 57




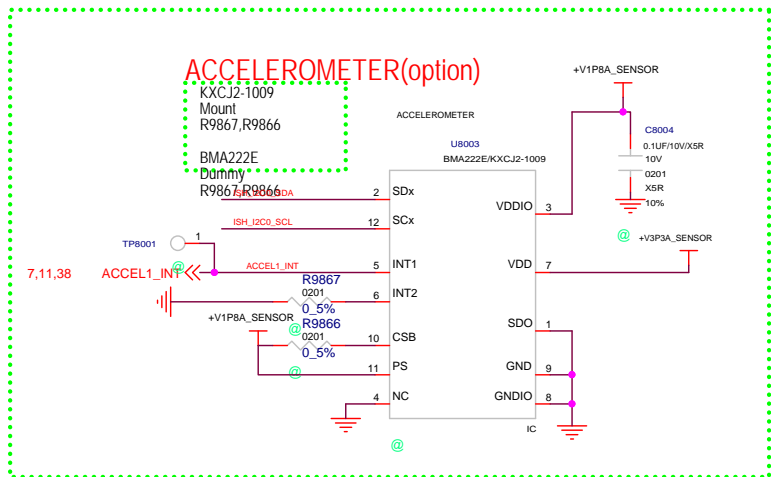
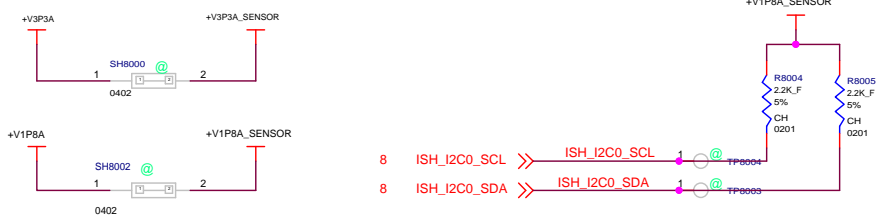
Title Gemini Lake		
Size B	Document Number	Rev R100
HDMI LEVEL SHIFTERS		
Date: Monday, July 19, 2021	Sheet 34	of 57



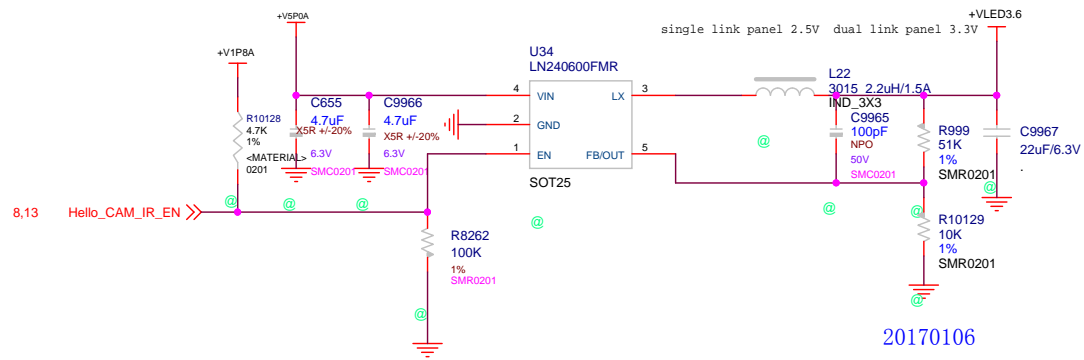
HDMI1
CON19_P4MM_MICROHDMI
minihdmi_19p_HM16



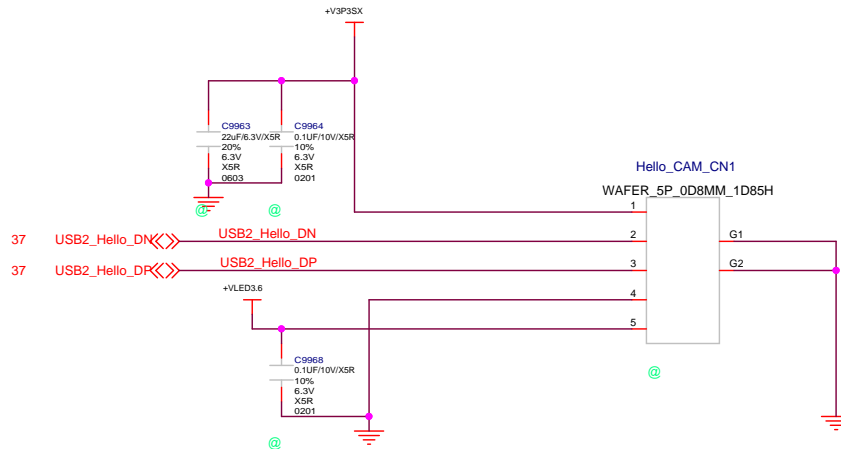
 Gemini Lake		
Title Gemini Lake		
Size A	Document Number HDMI CONNECTOR	Rev R100
Date: Monday, July 19, 2021	Sheet 35	of 57




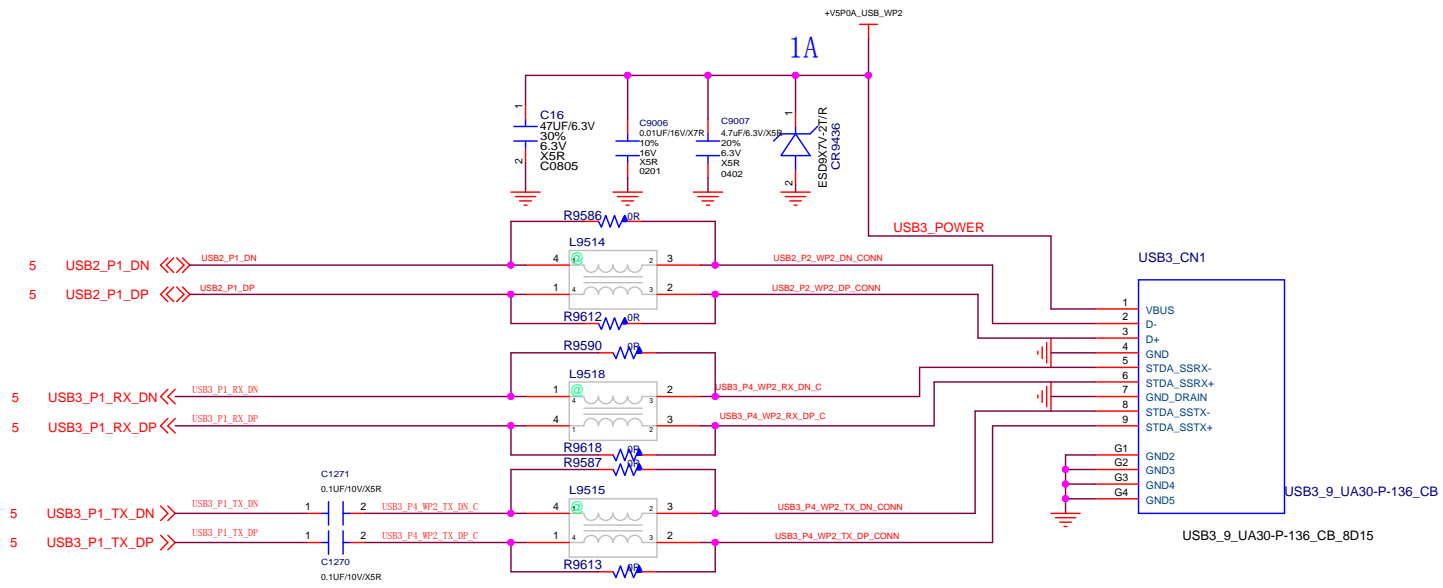
Gemini Lake		
Title Gemini Lake		
Size B	Document Number SENSORS	Rev R100
Date: Monday, July 19, 2021	Sheet 38	of 57




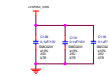
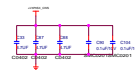
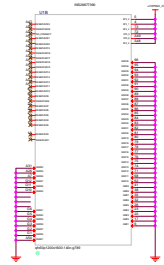
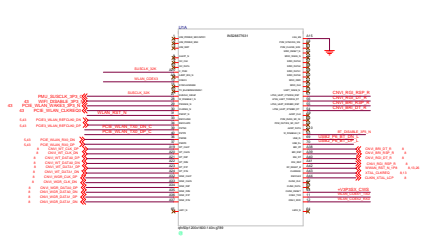
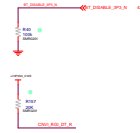
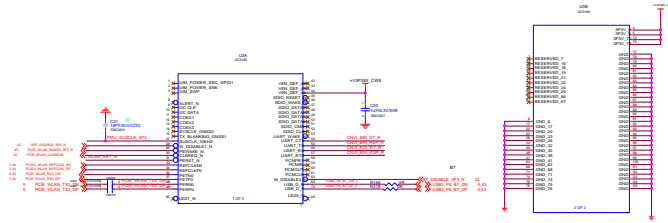
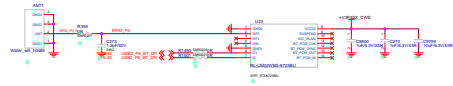
Add Hello CAM

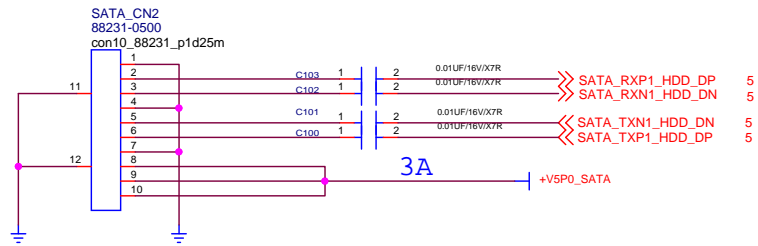



 Gemini Lake		
Title Gemini Lake		
Size B	Document Number FRONT AND REAR CAMERA CONN	Rev R100
Date: Monday, June 21, 2021	Sheet 39	of 57

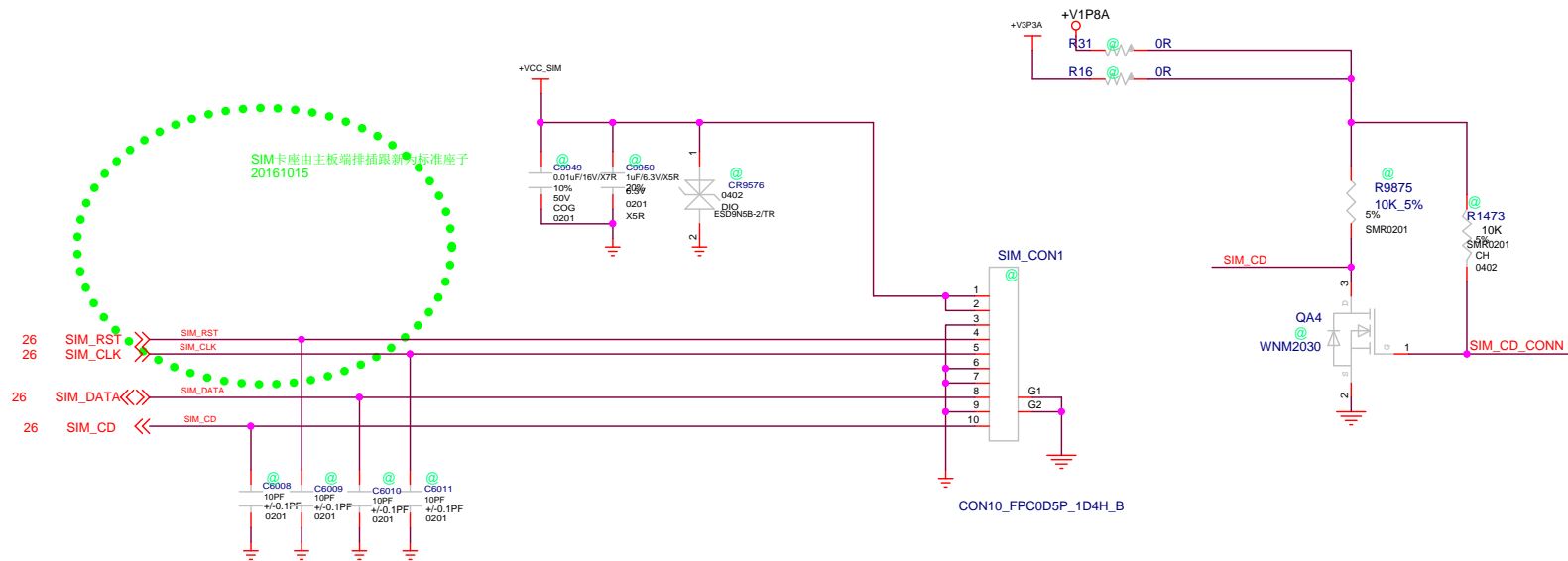



		
Title Gemini Lake		
Size B	Document Number USB3.0 CONN	Rev R100
Date: Monday, July 19, 2021	Sheet 42 of 57	

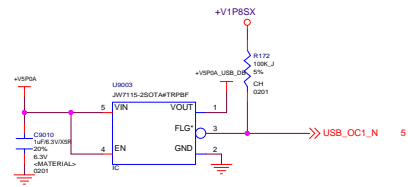




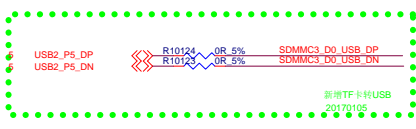
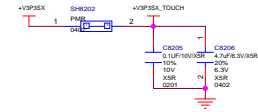
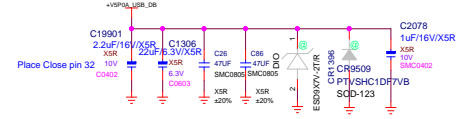
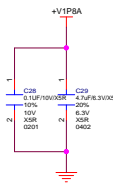
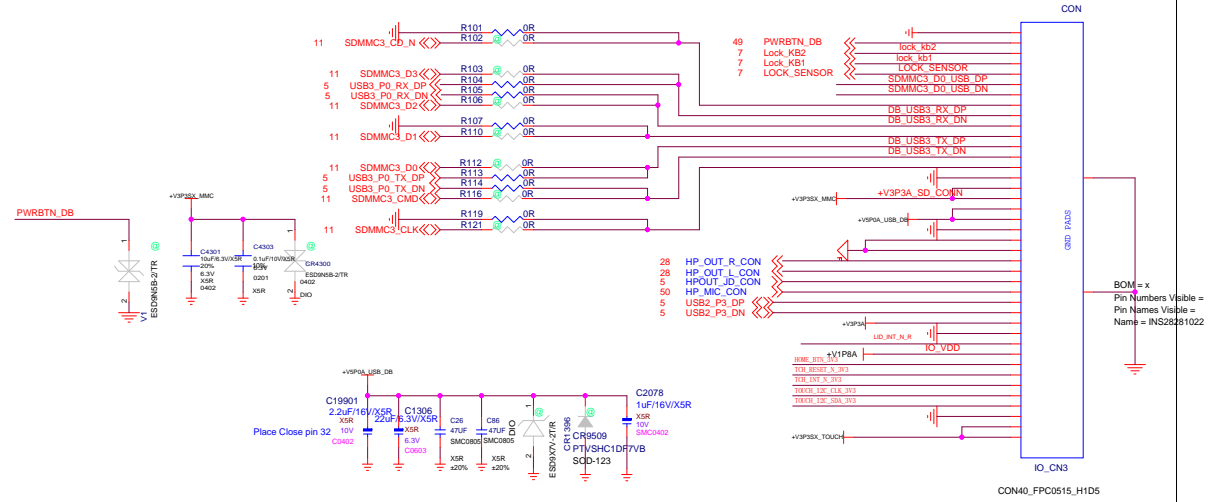
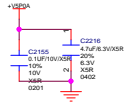
 Gemini Lake		
Title Gemini Lake		
Size B	Document Number WWAN MODULE	Rev R100
Date: Monday, July 19, 2021	Sheet 44	of 57



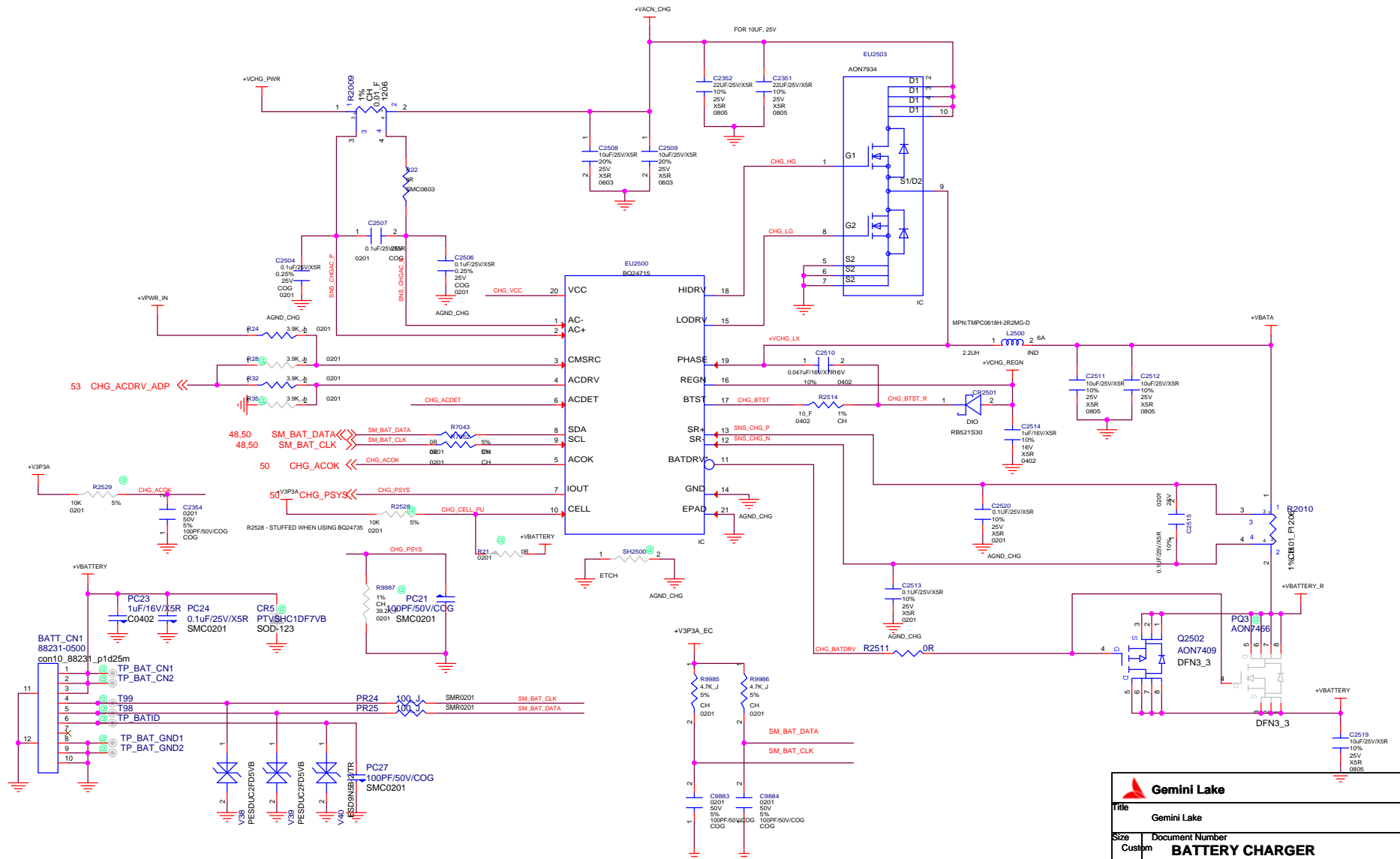
 Gemini Lake		
Title Gemini Lake		
Size B	Document Number SIM CONN	Rev R100
Date: Monday, June 21, 2021	Sheet 45	of 57




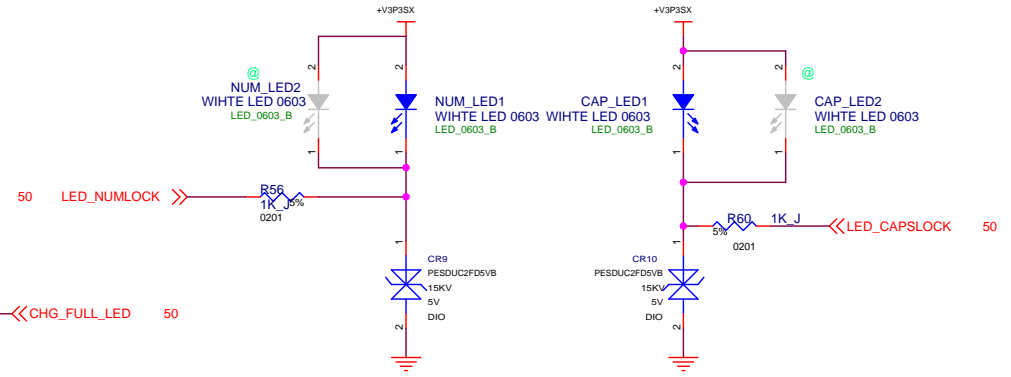
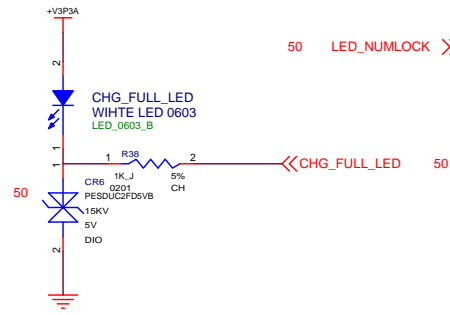
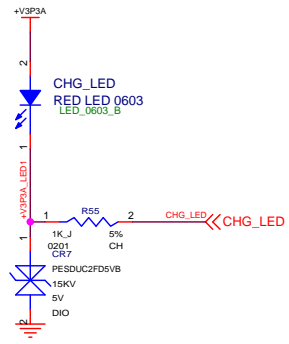
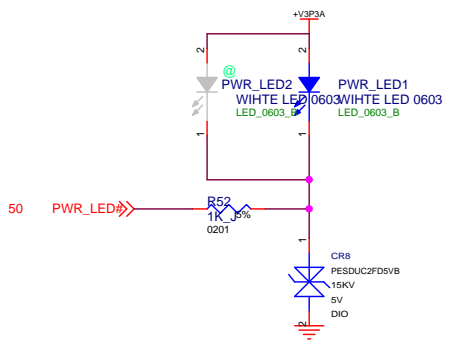
Change from LPW5208 To WS4601E




BOM = x
Pin Numbers Visible =
Pin Names Visible =
Name = INS281022



 Gemini Lake		
Title Gemini Lake		
Size Custom	Document Number BATTERY CHARGER	Rev R100
Date: Monday, July 19, 2021	Sheet 48	of 57



 Gemini Lake		
Title Gemini Lake		
Size B	Document Number BUTTONS LEADS AND MISC	Rev R100
Date: Monday, July 19, 2021	Sheet 49	of 57

