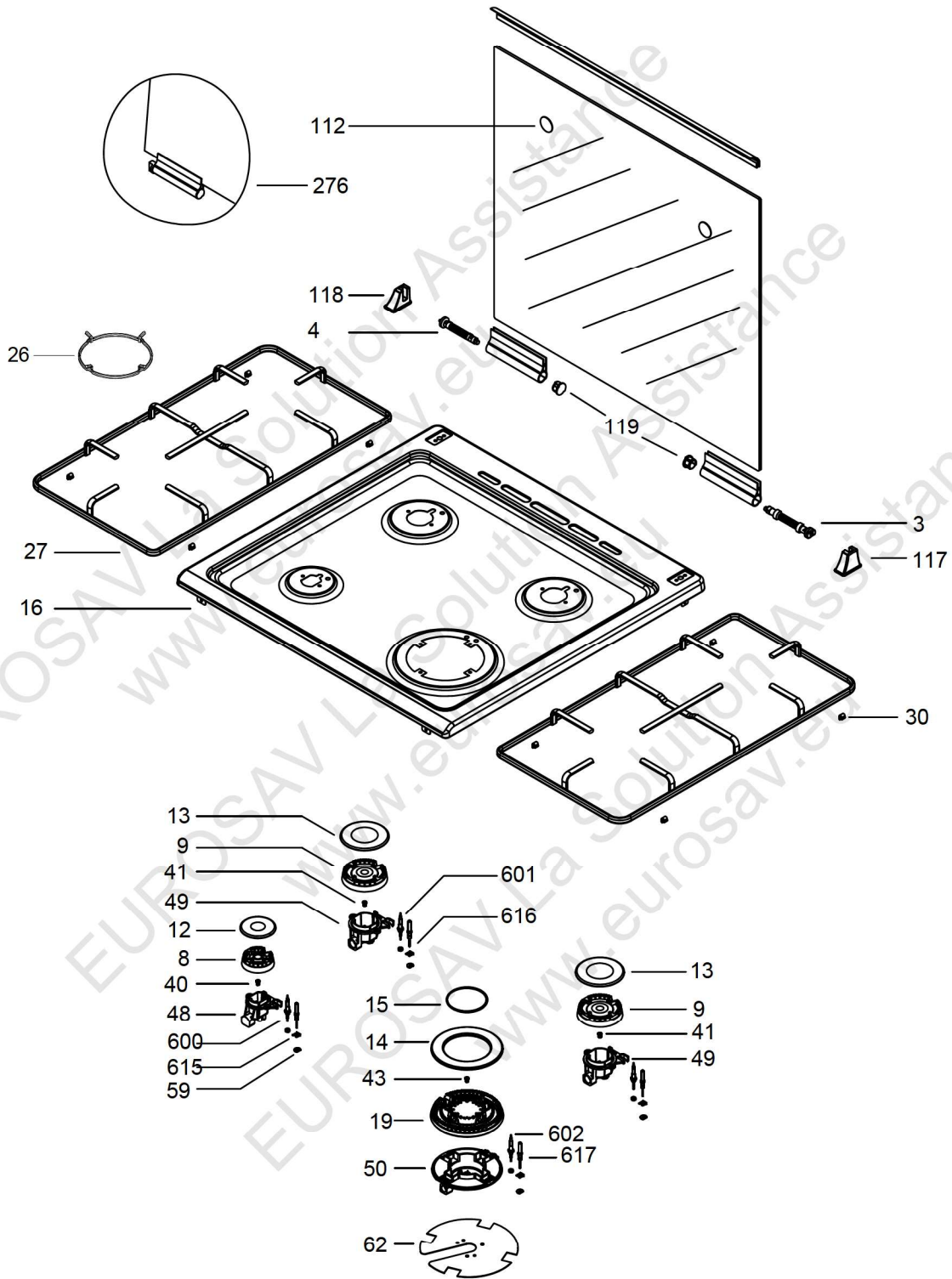
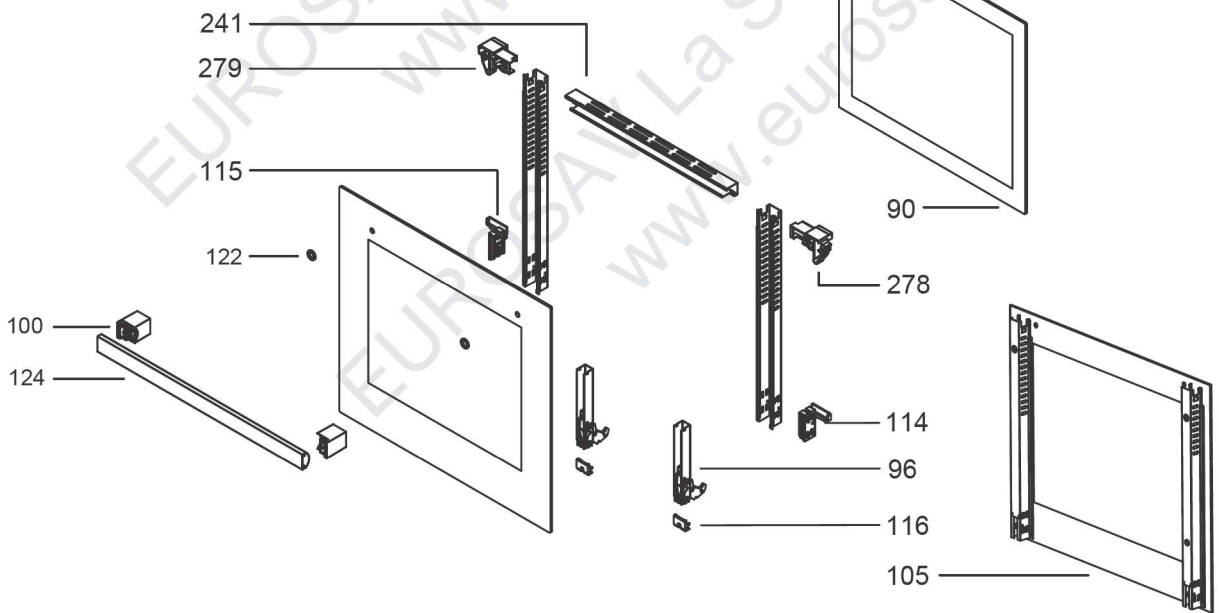
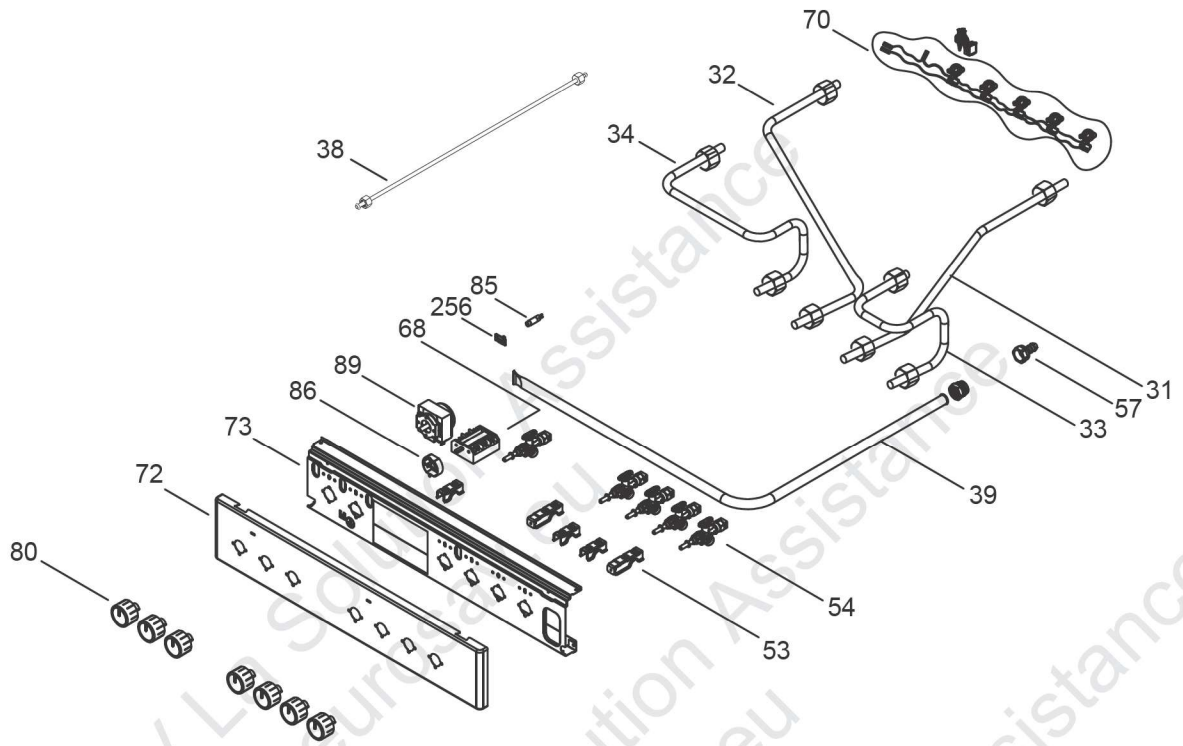


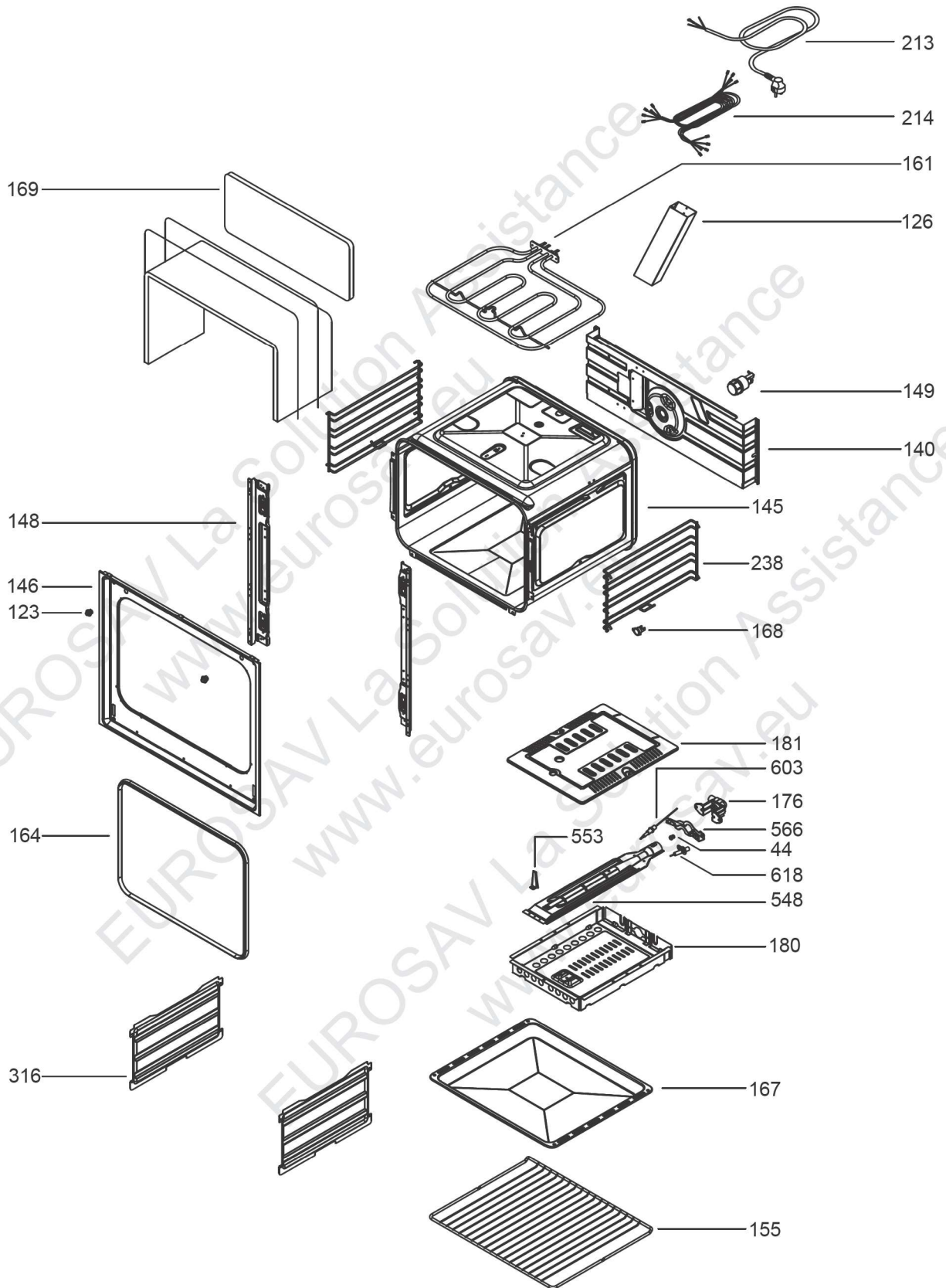
CD1GW



CD1GW



CD1GW



CD1GW

