

1

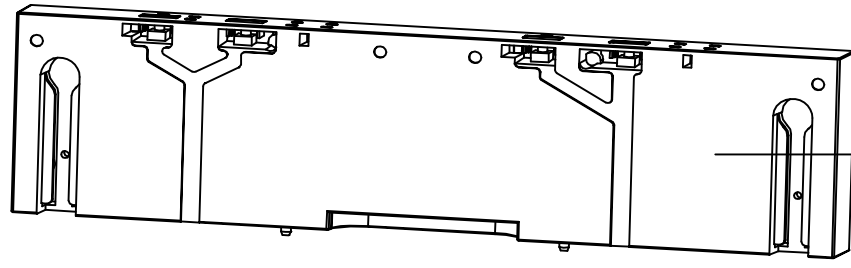
2

3

4

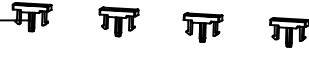
A

A



101

102



103

B

B

104



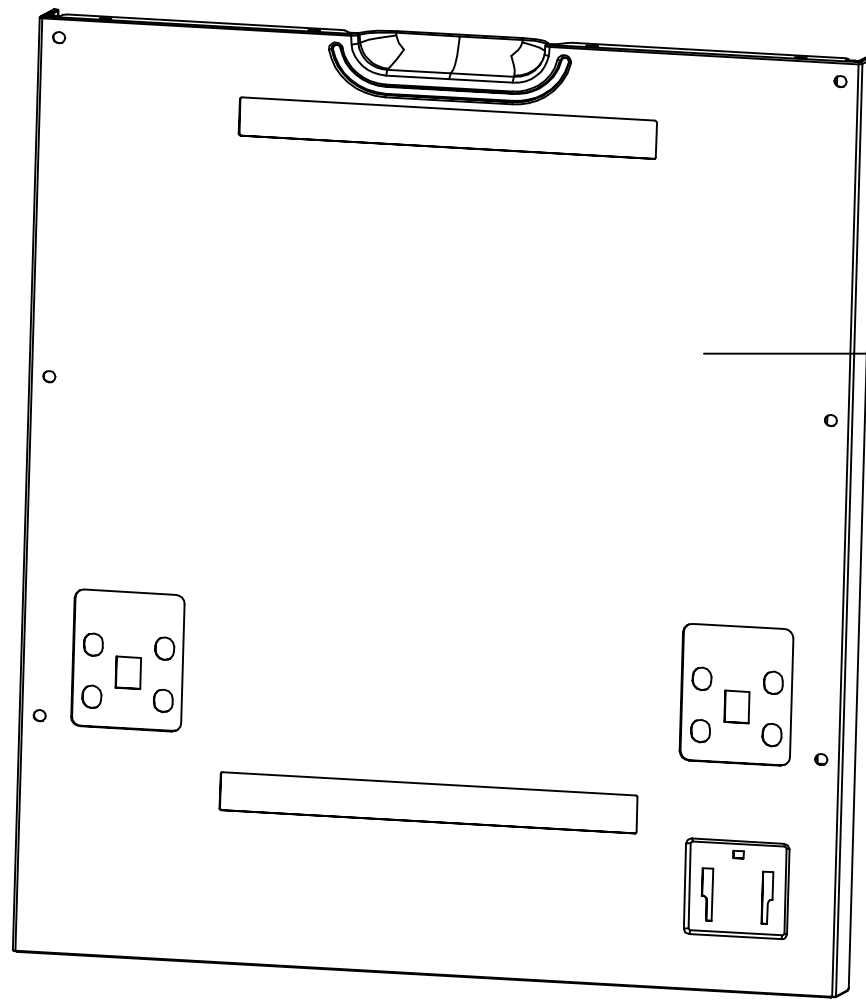
105



106

C

C



107

D

D

E

E

F

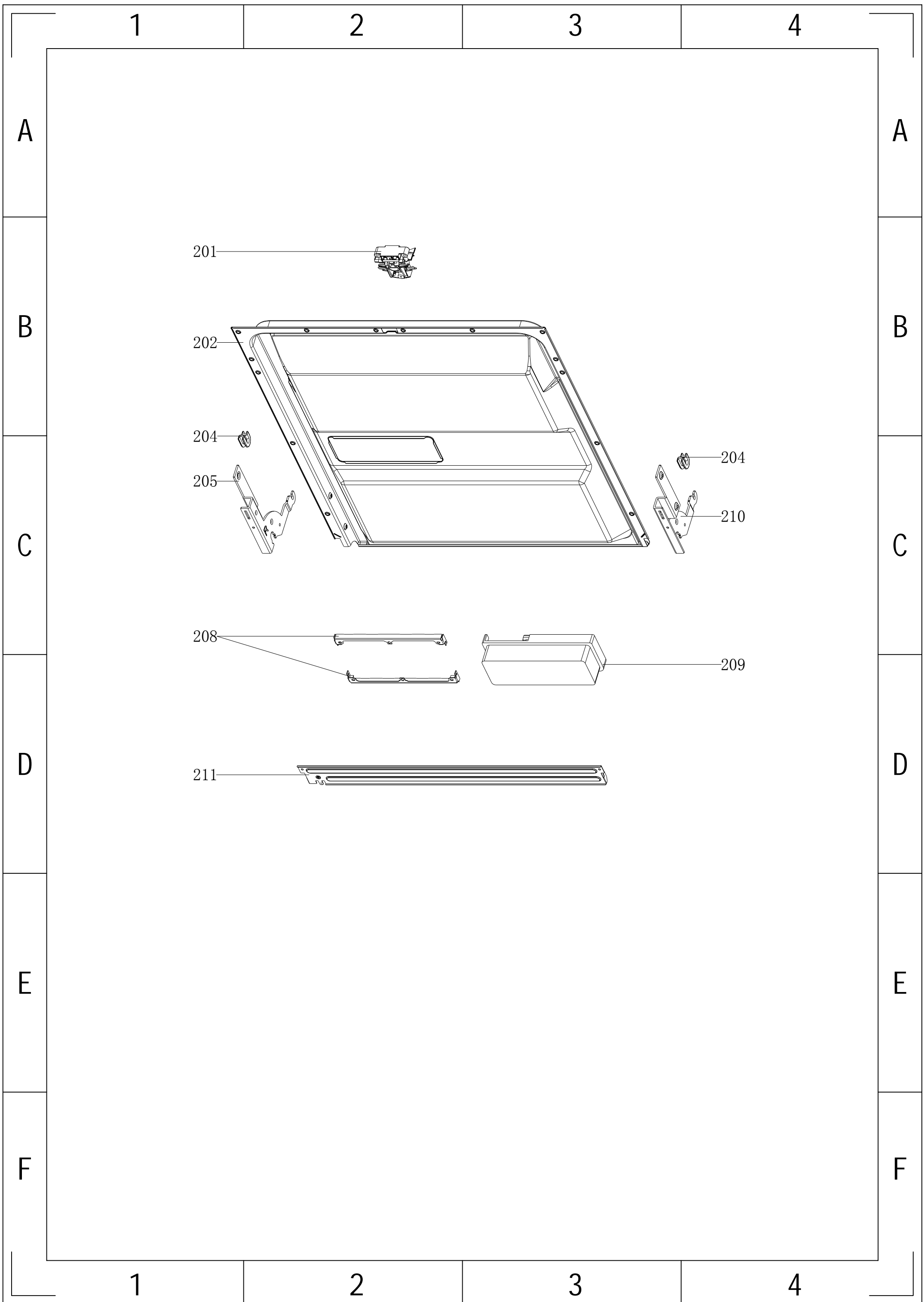
F

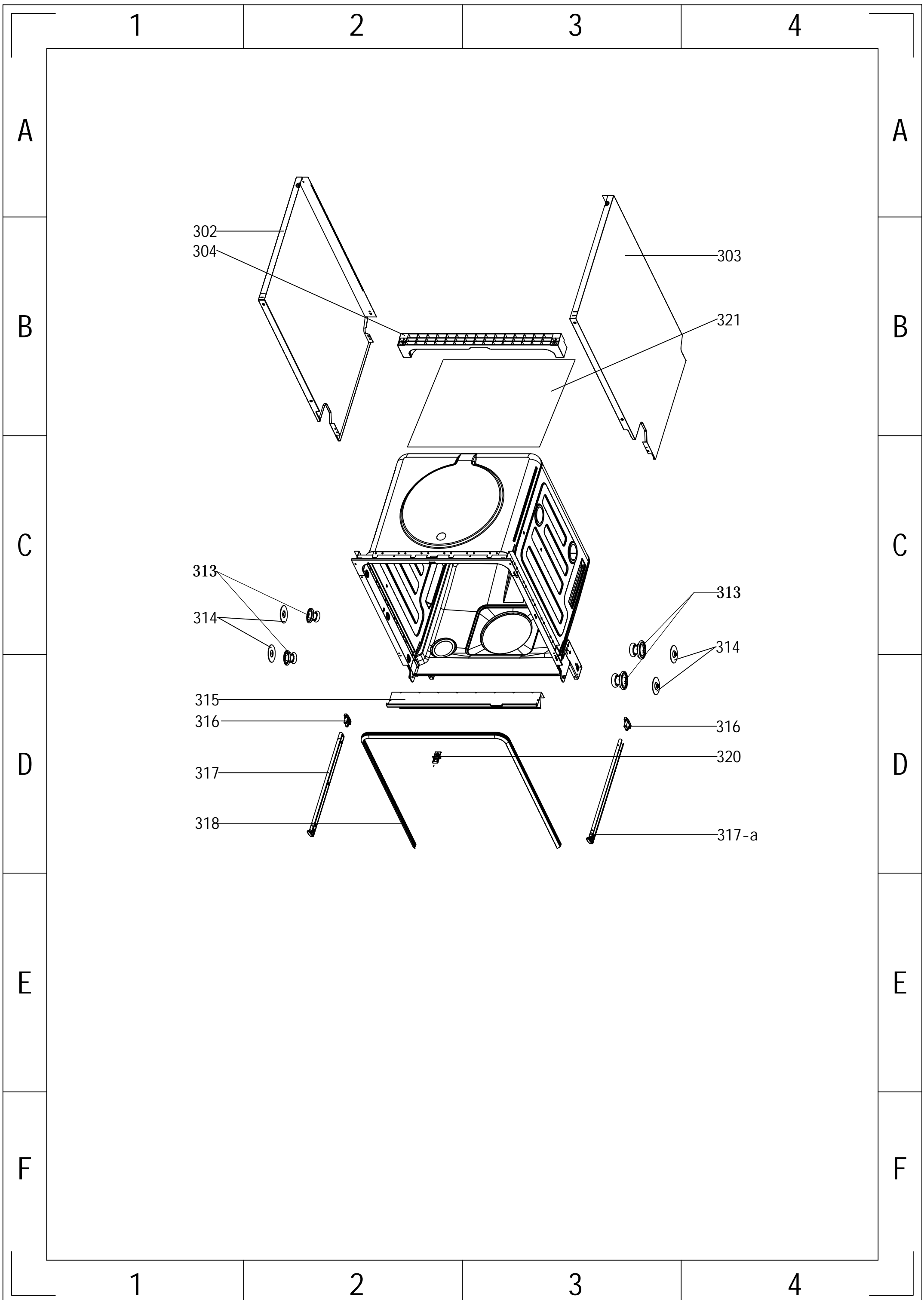
1

2

3

4





1

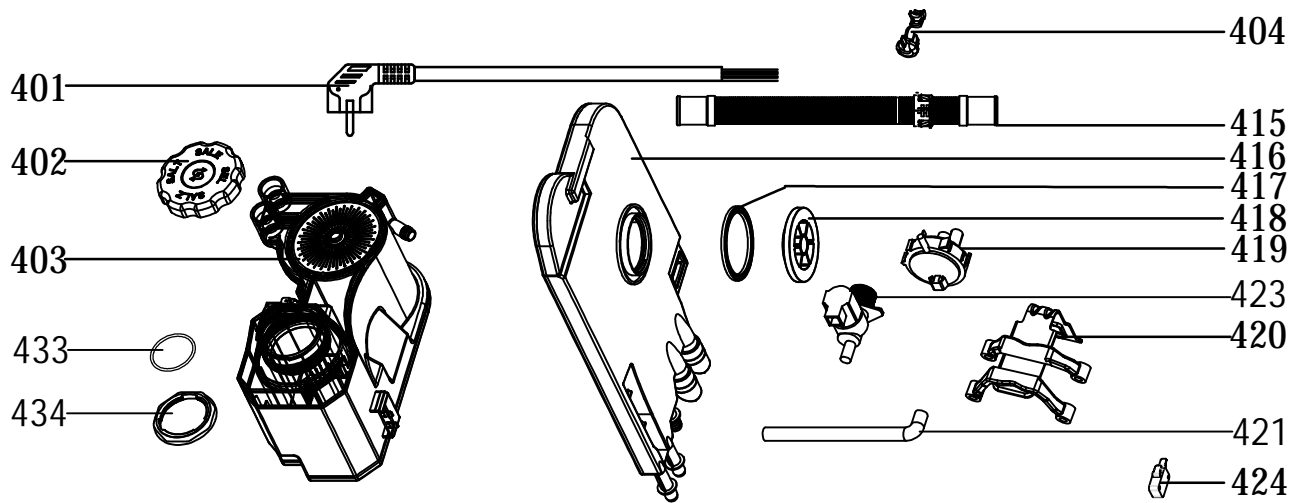
2

3

4

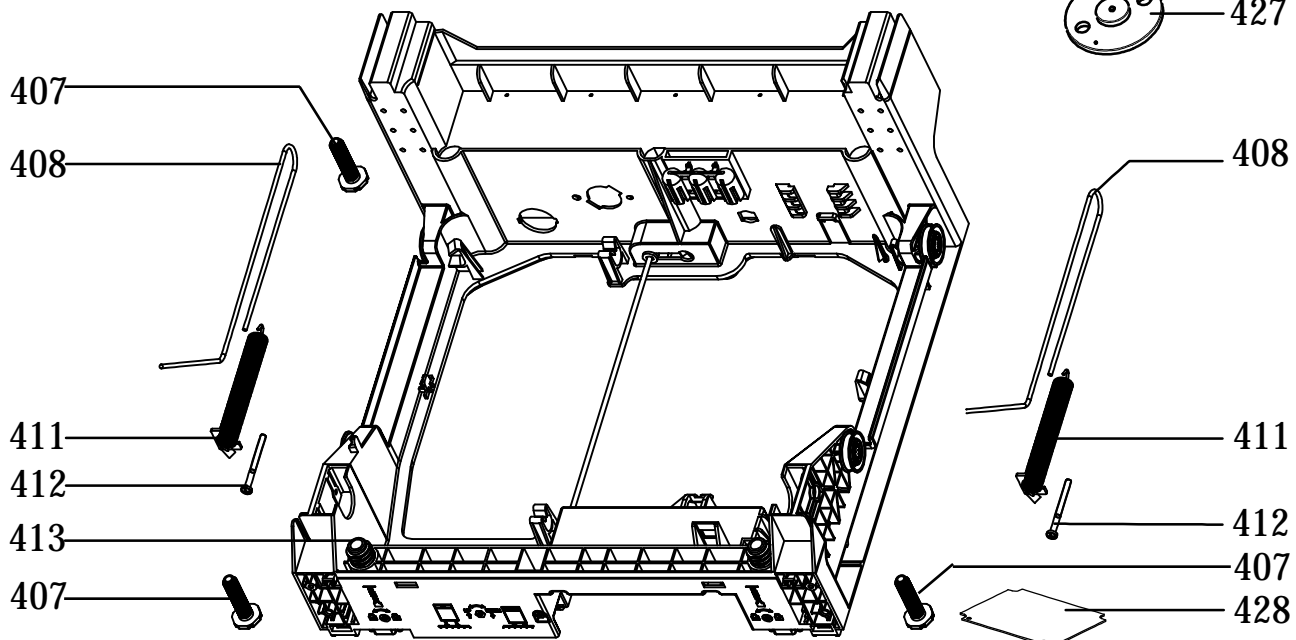
A

A



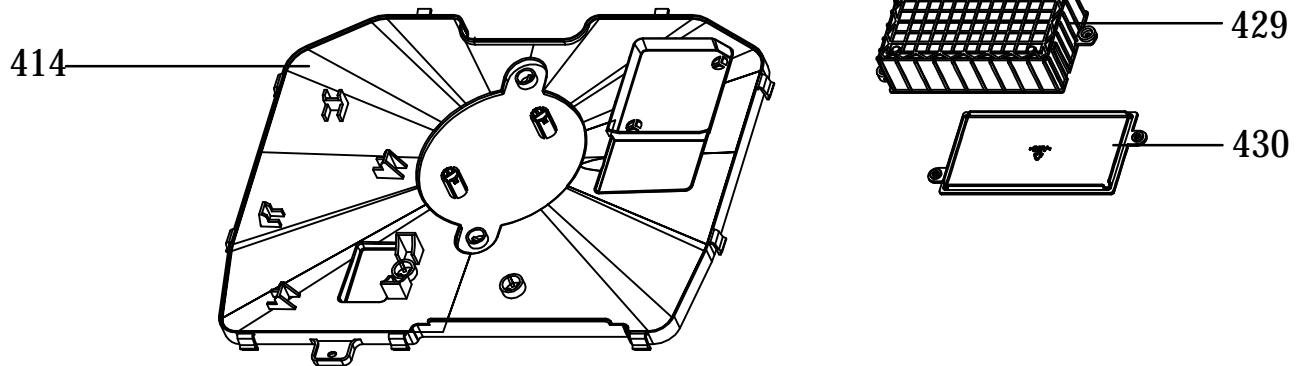
B

B



C

C



D

D

E

E

F

F

1

2

3

4

1

2

3

4

A

A

B

B

C

C

D

D

E

E

F

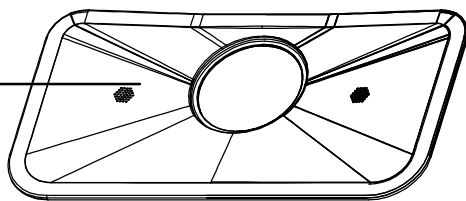
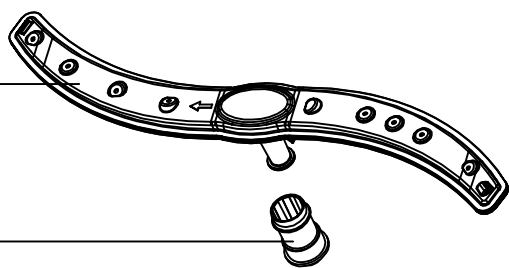
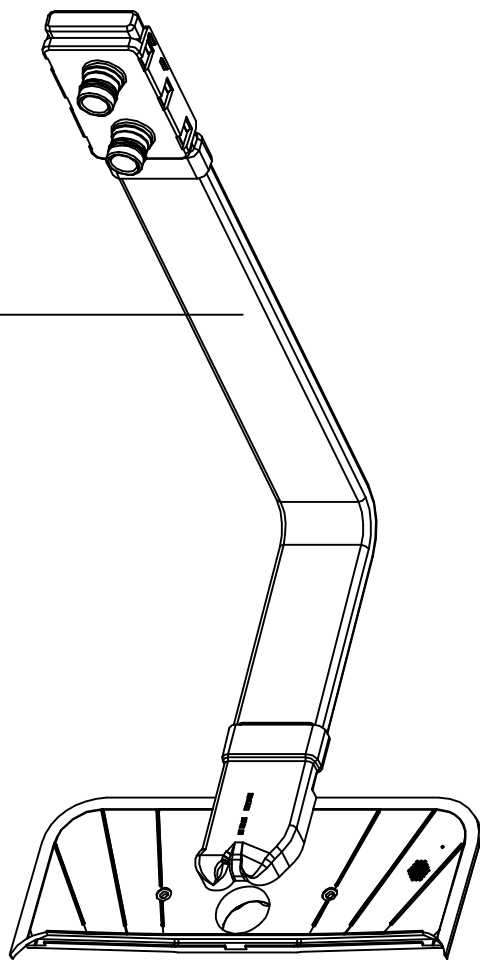
F

501

510

511

513



1

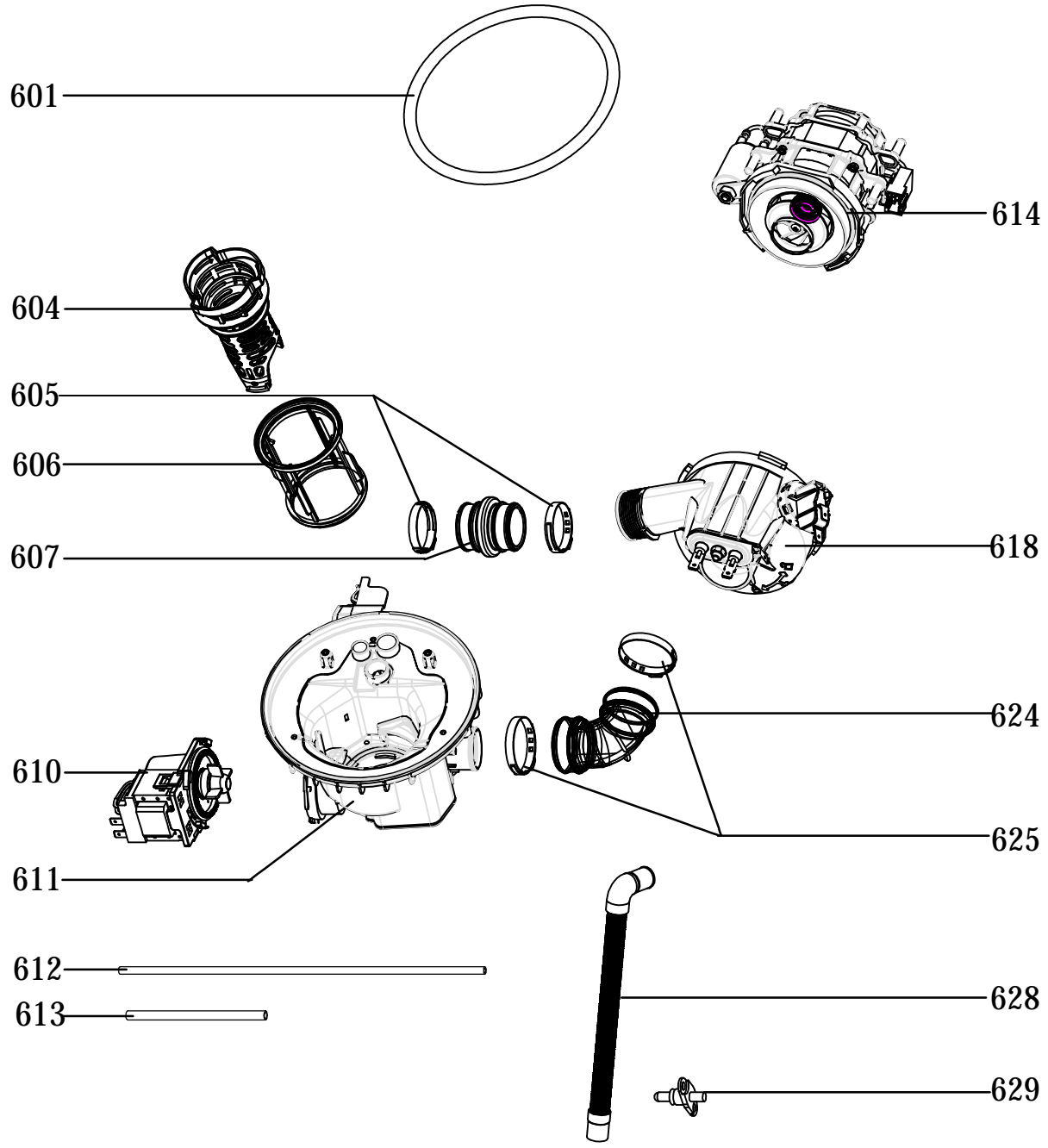
2

3

4

A

A



B

B

C

C

D

D

E

E

F

F

1

2

3

4

1

2

3

4

A

A

B

B

C

C

D

D

E

E

F

F

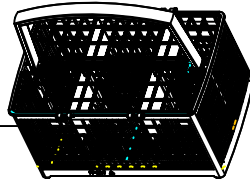
1

2

3

4

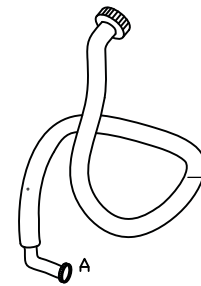
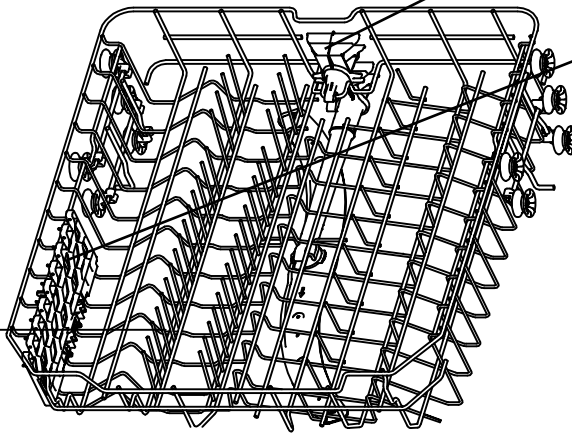
701



704

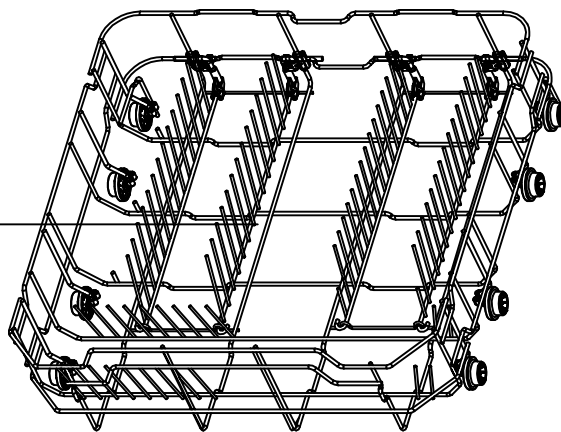
705

702



710

703



711



712

1		ST4*14	X14	6		X1
2		ST3.5X45	X4	7		X2
3		ST3.5X25	X2	8		X2
4			X2	9		X2
5		ST3.5X16	X2	10		X2

720