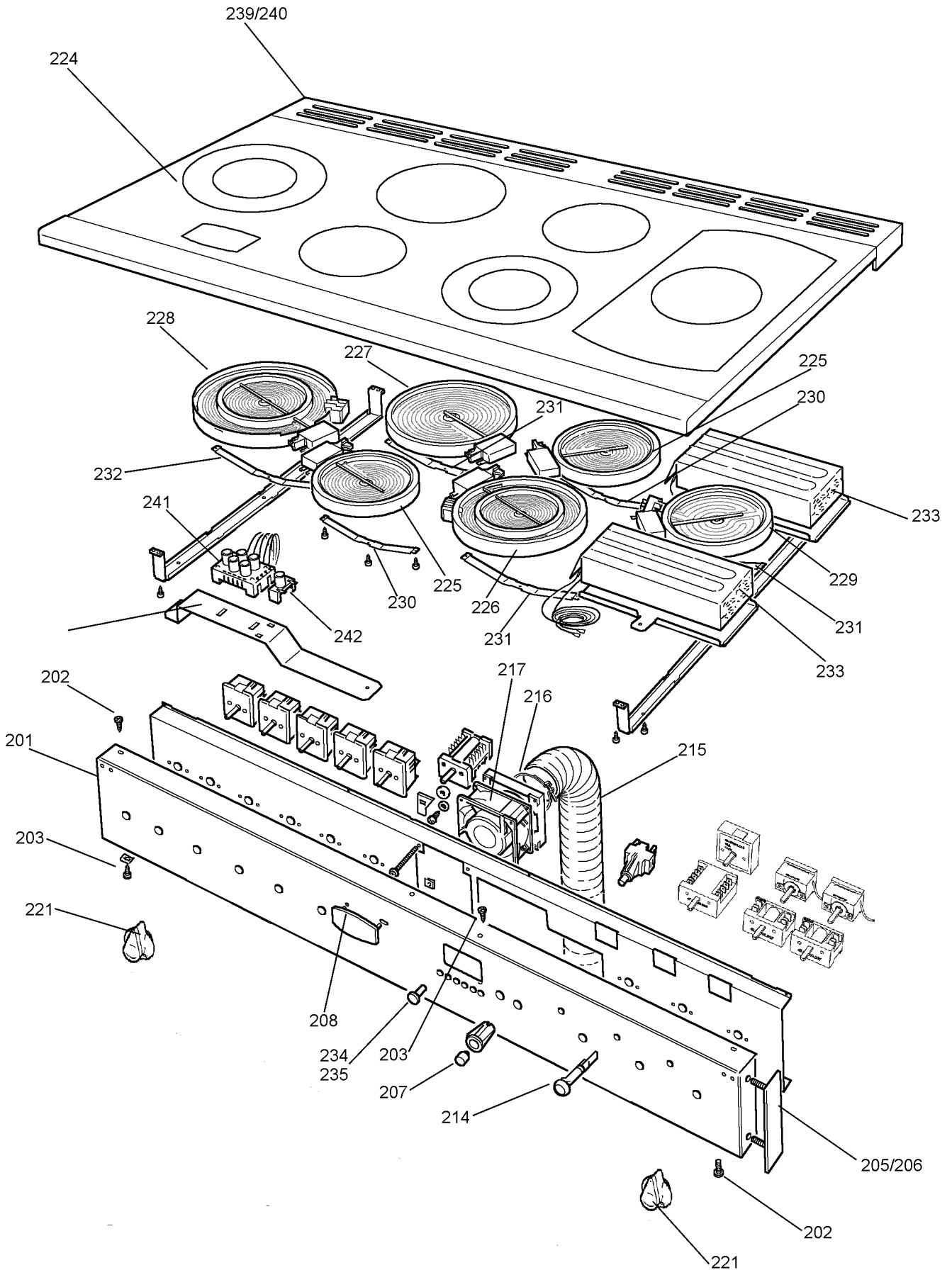


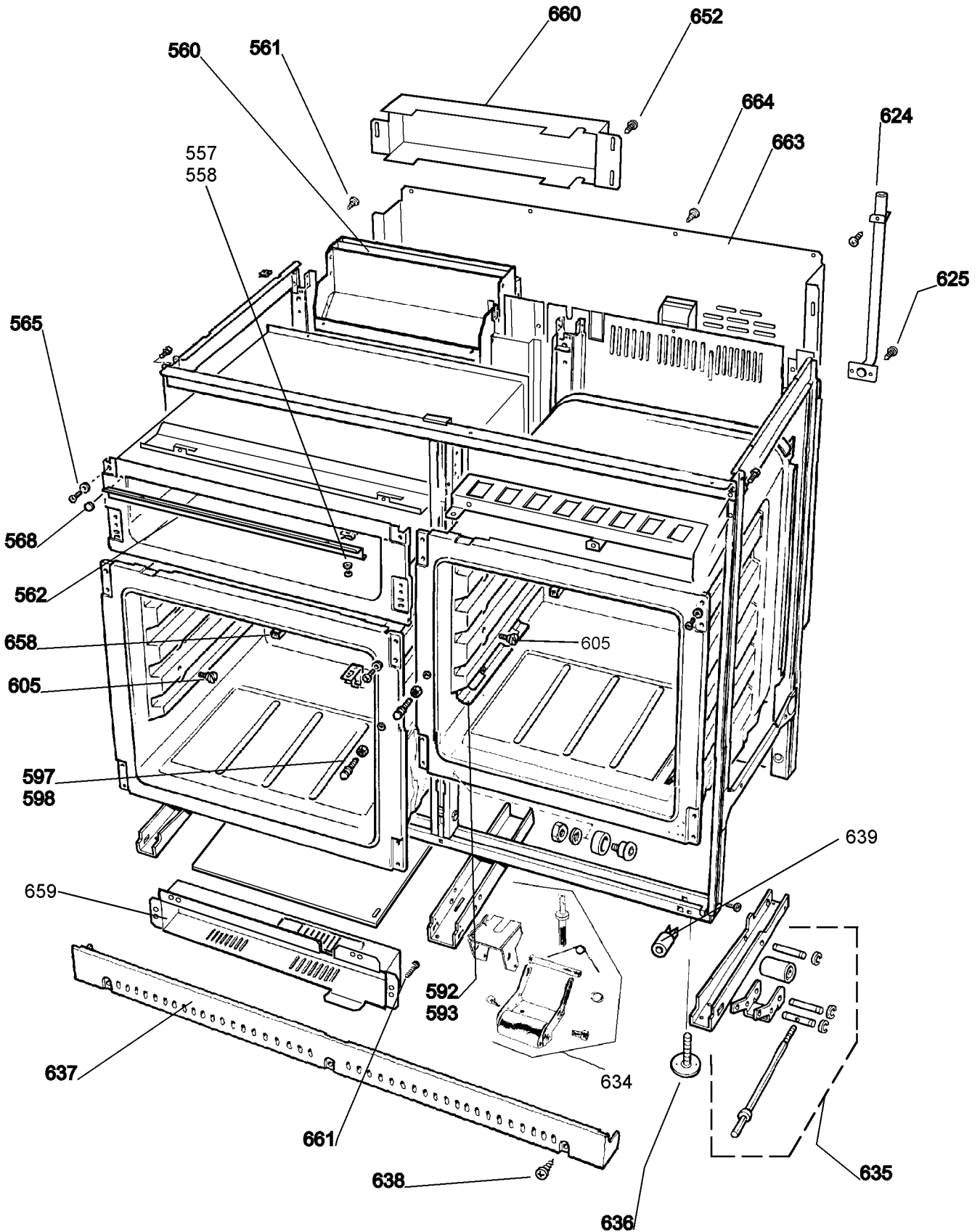
APPLIANCE NAME:  
TOLEDO 110 CERAMIC

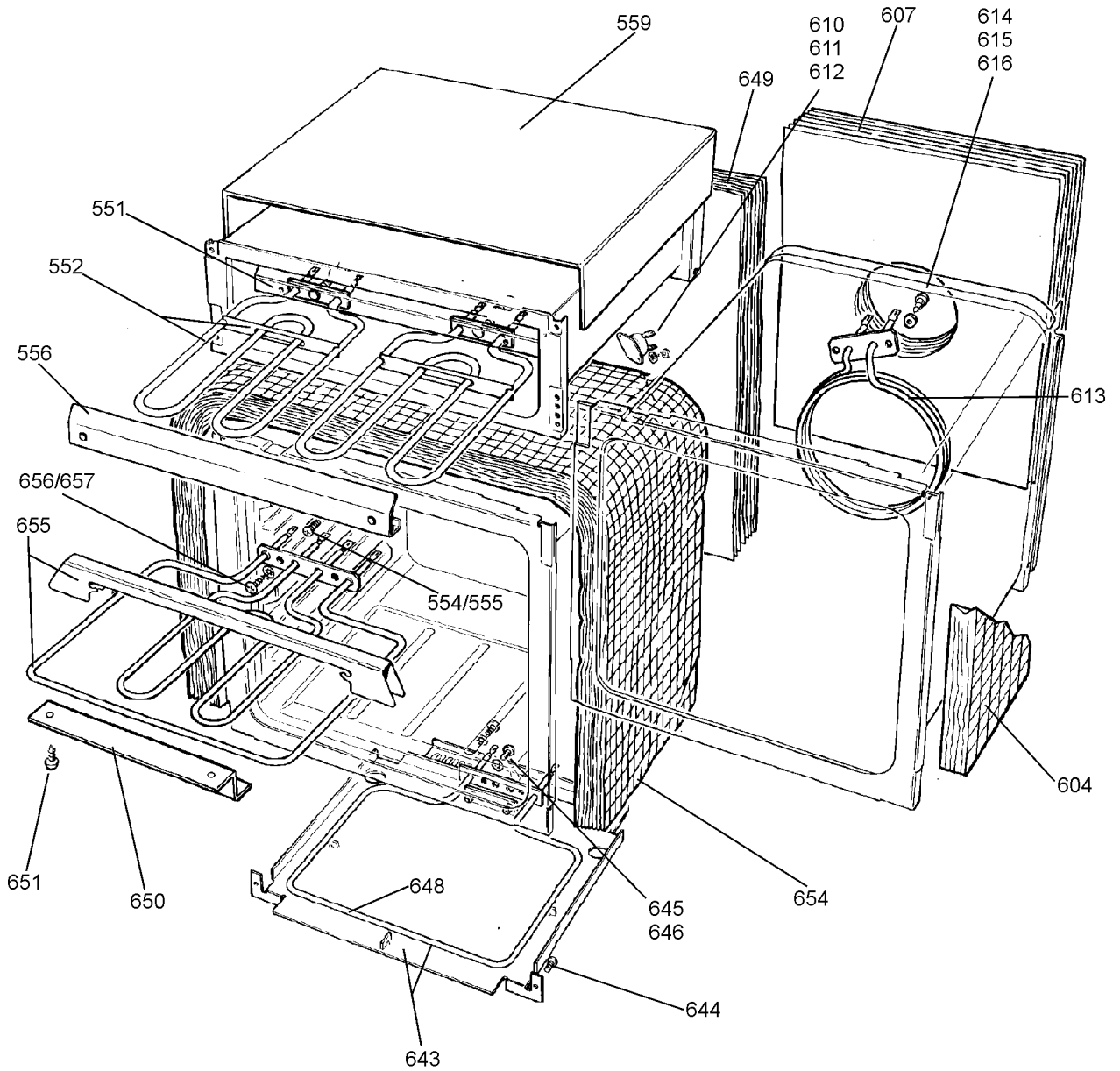
DATE 29.01.04

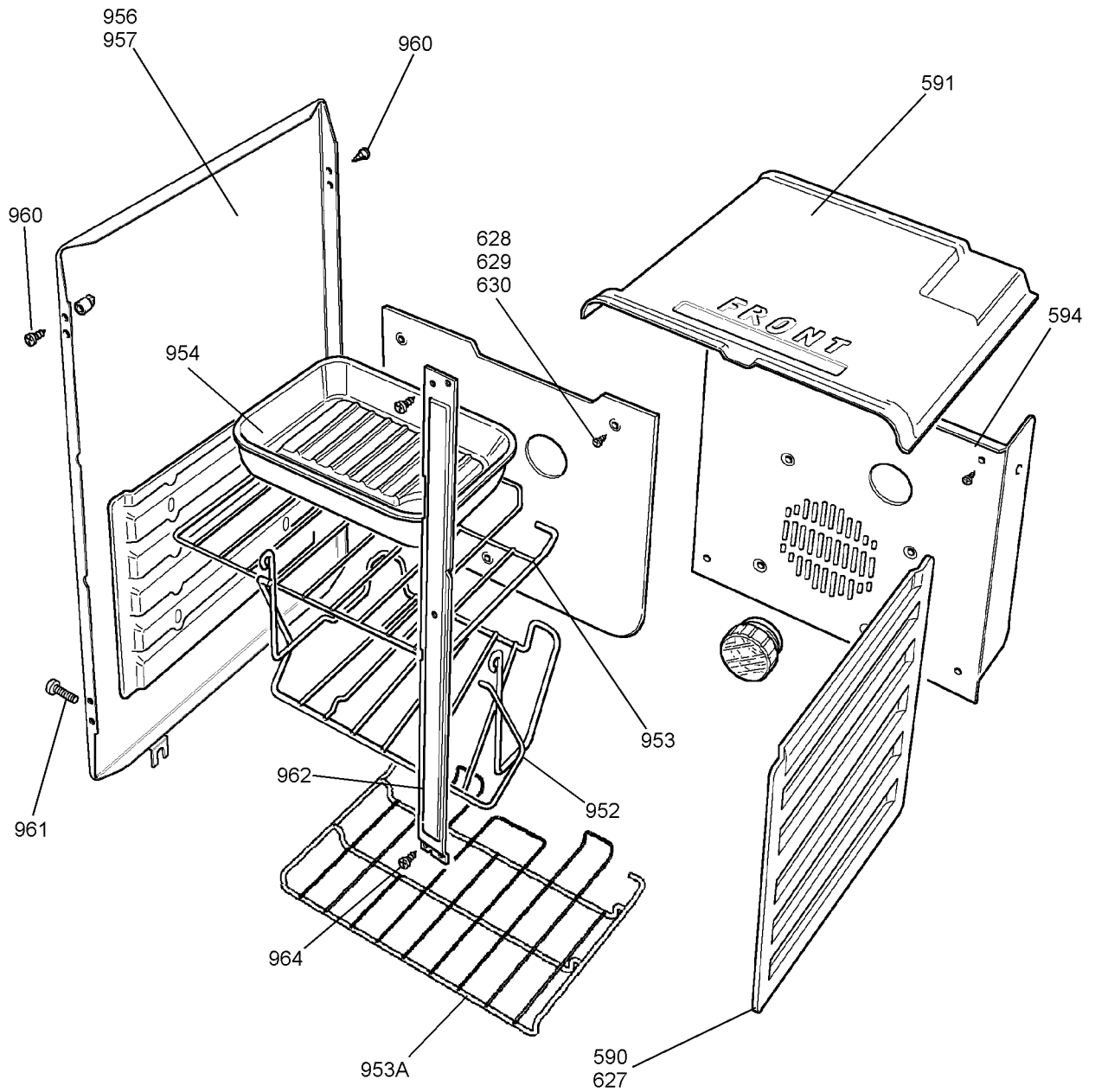
**DSL0215 P00**  
ISSUE STATUS 01

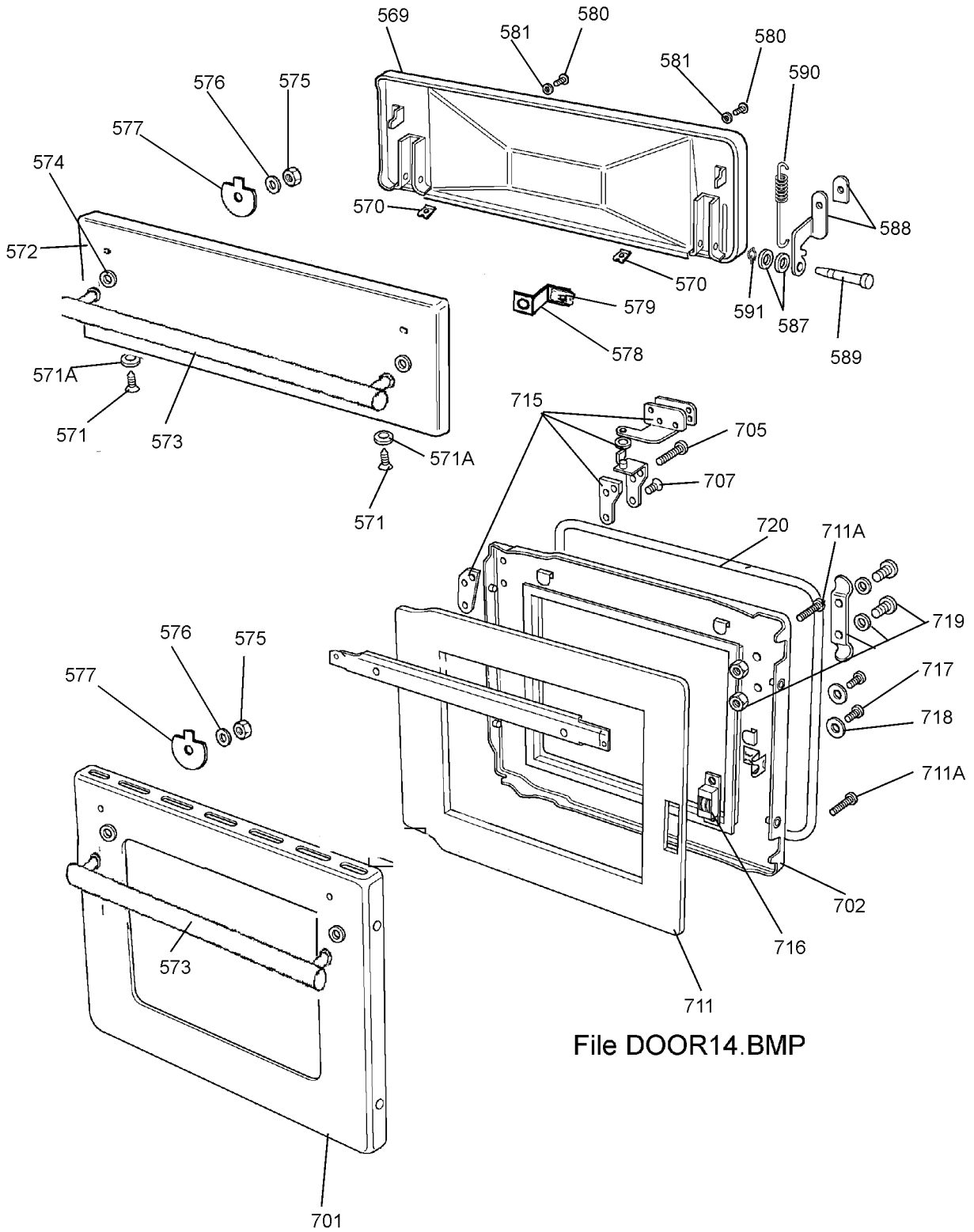




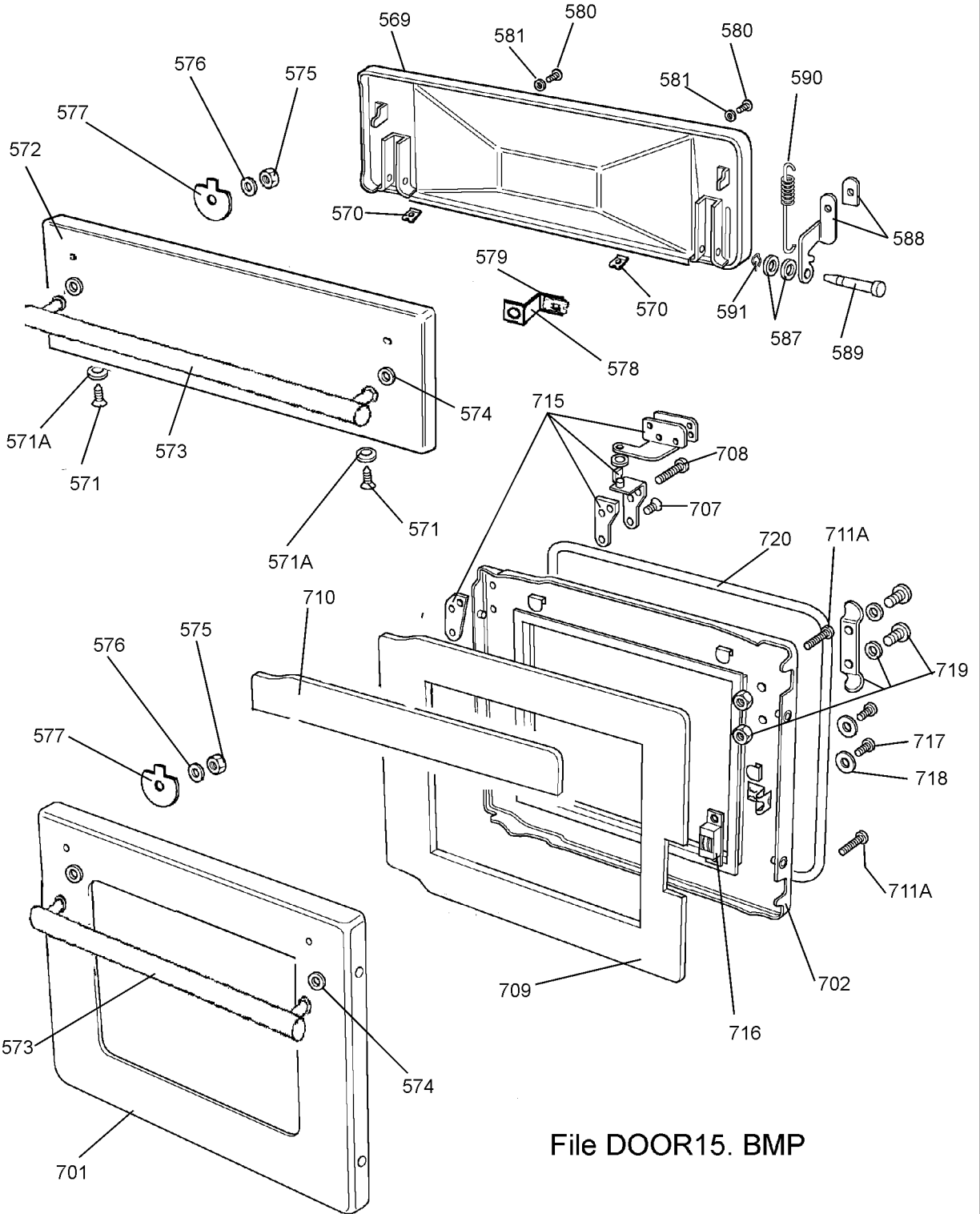








File DOOR14.BMP



File DOOR15. BMP

# FALCON TOLEDO (INNER DOOR)

FROM SER No1002 - 7138

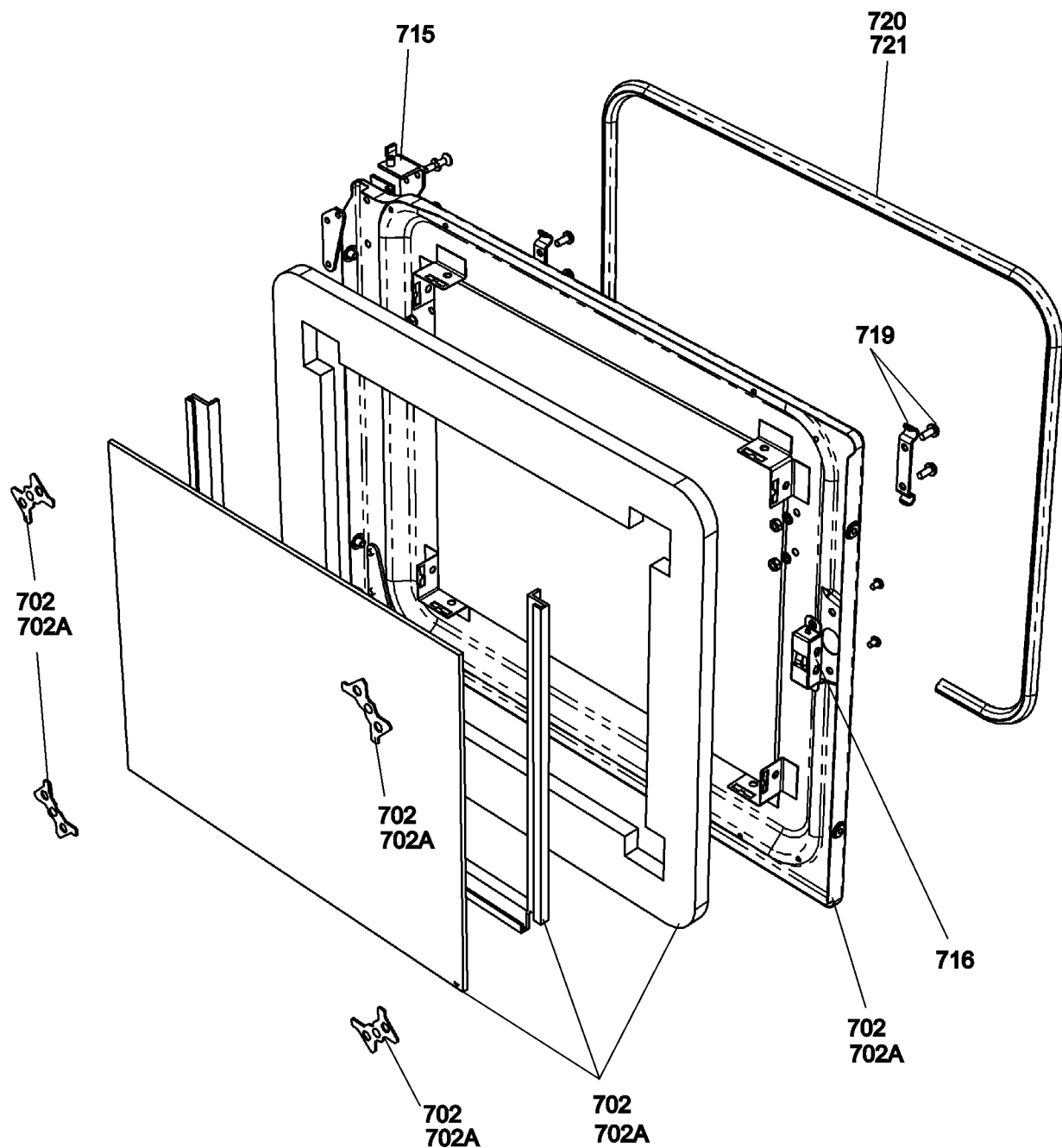
FROM SER No8006 - 7139

FROM SER No3000 - 7136, 7137

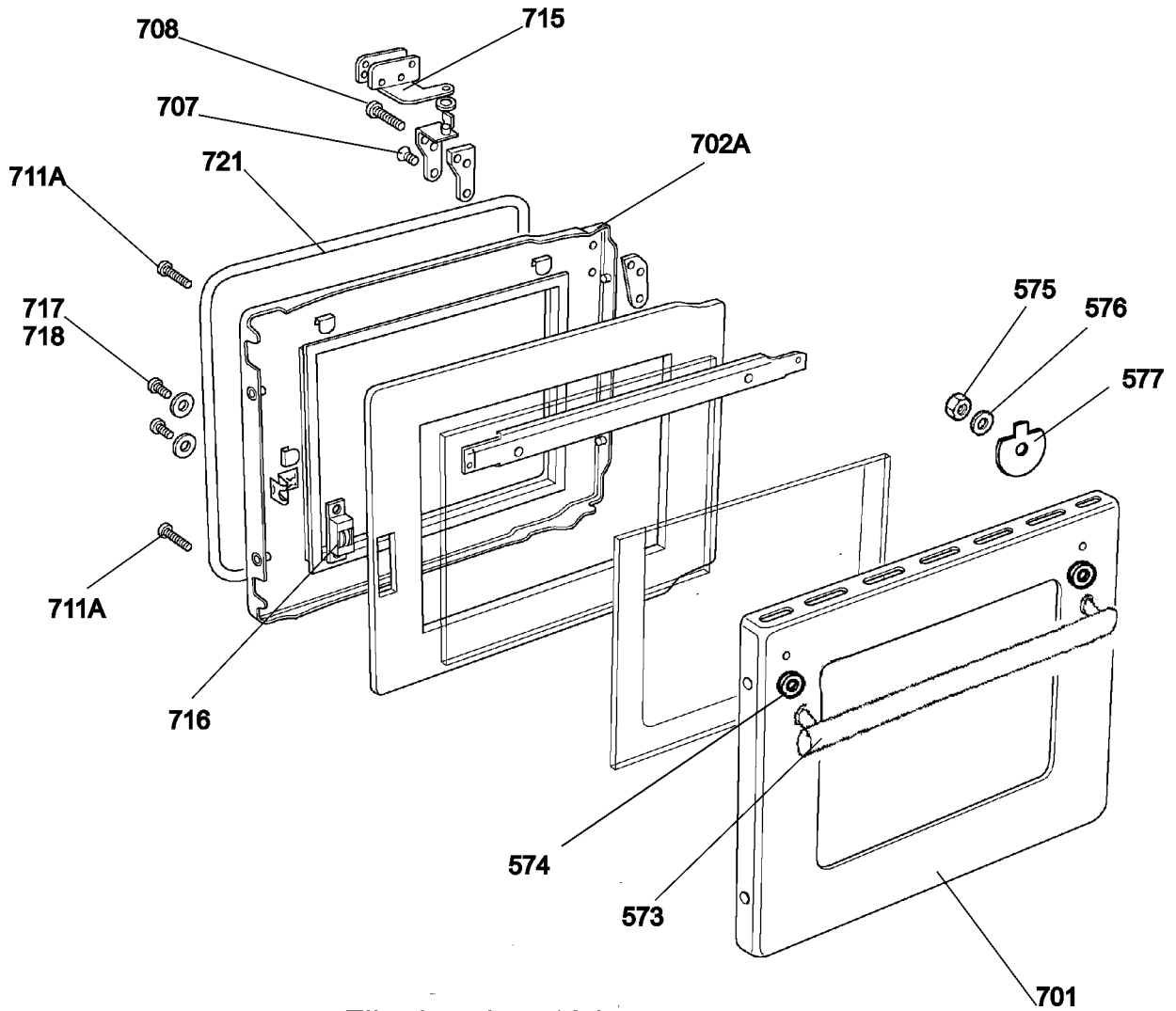
FROM SER No10000 - 7140

# DSL0215 P05B

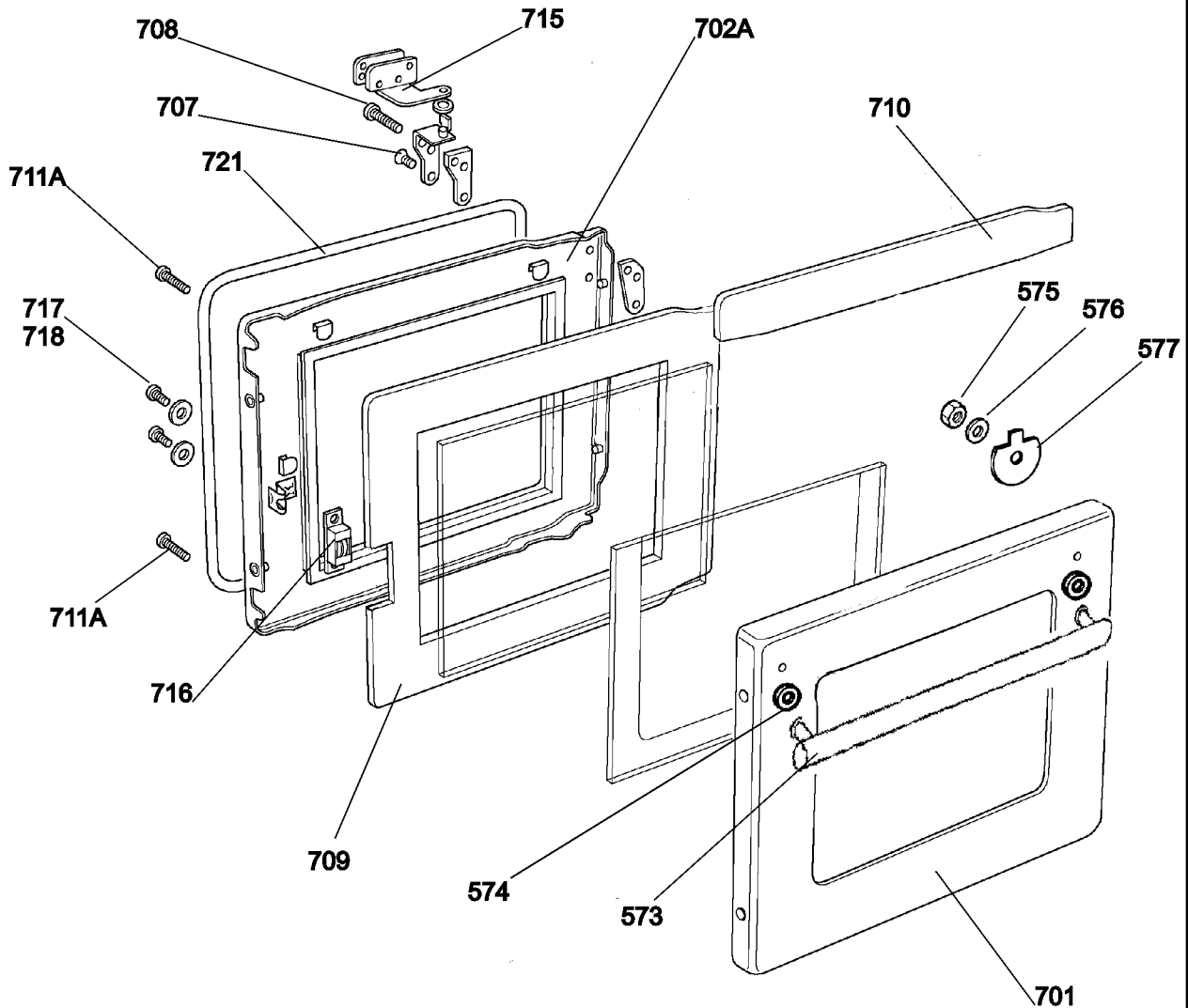
DATE 18.01.08 ISSUE STATUS 02







File doordraw13.bmp



File Doordraw14. BMP

