

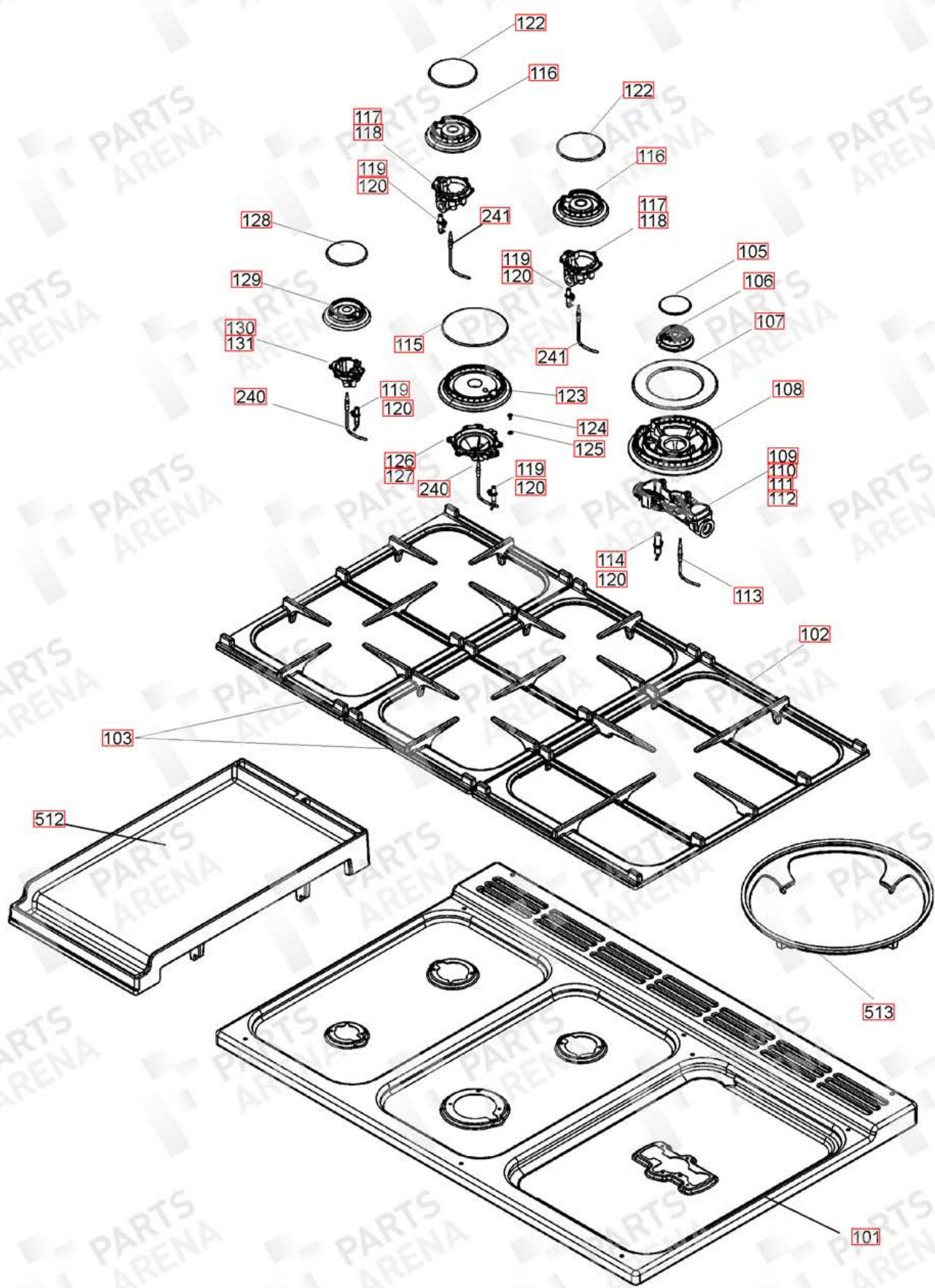
APPLIANCE NAME:  
PROFESSIONAL+ FXP

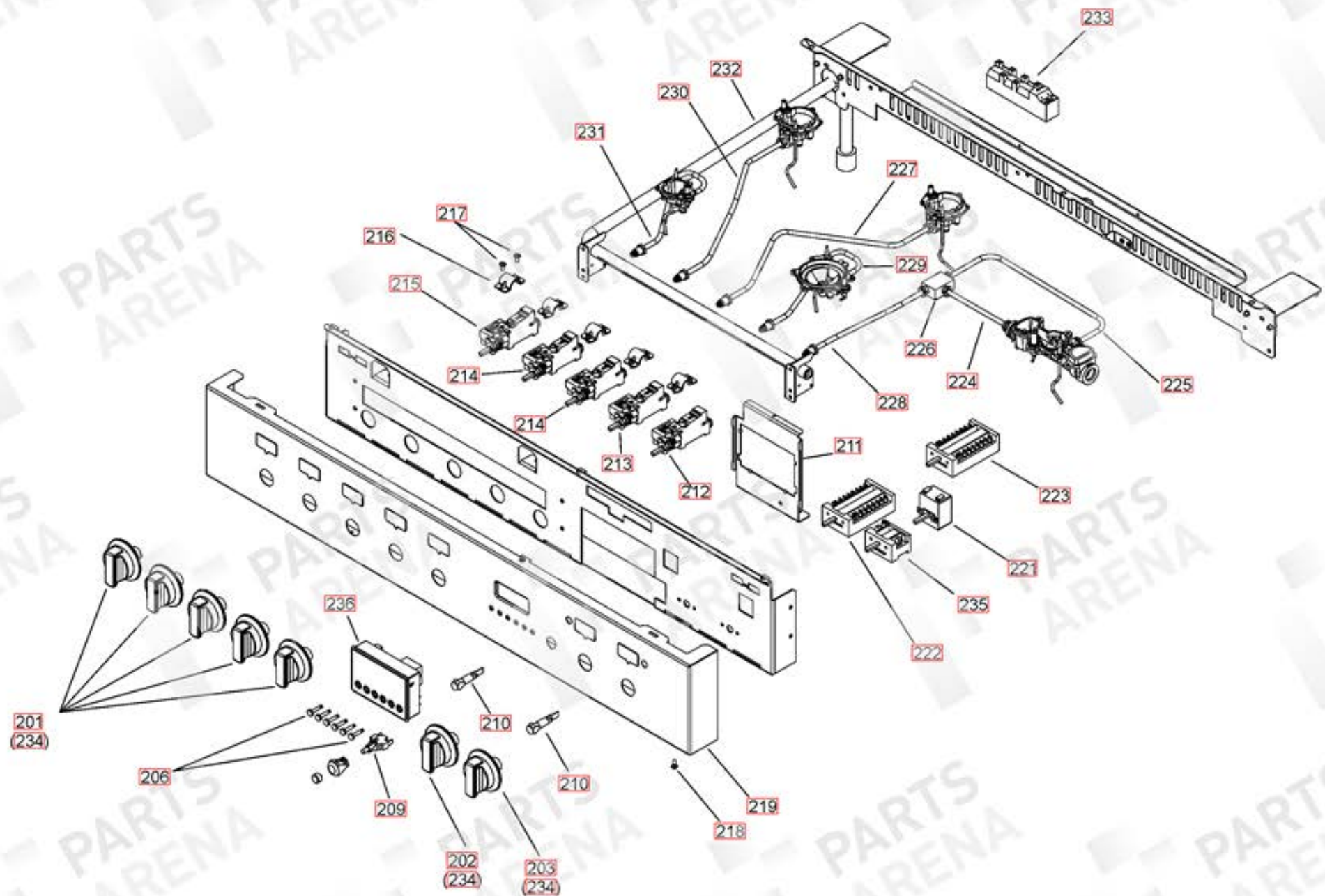
DATE 13.09.10

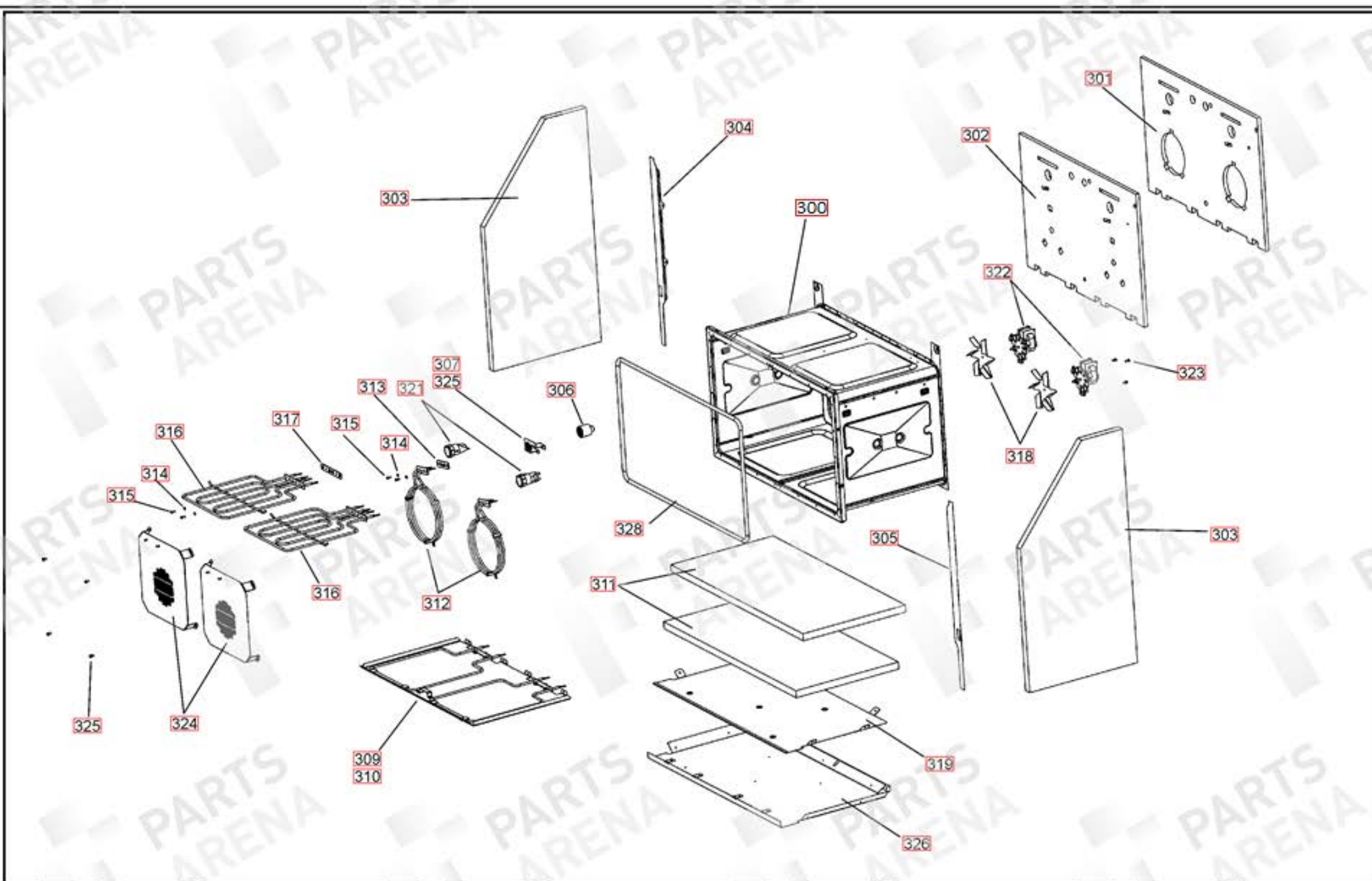
**DSL0439 P00**

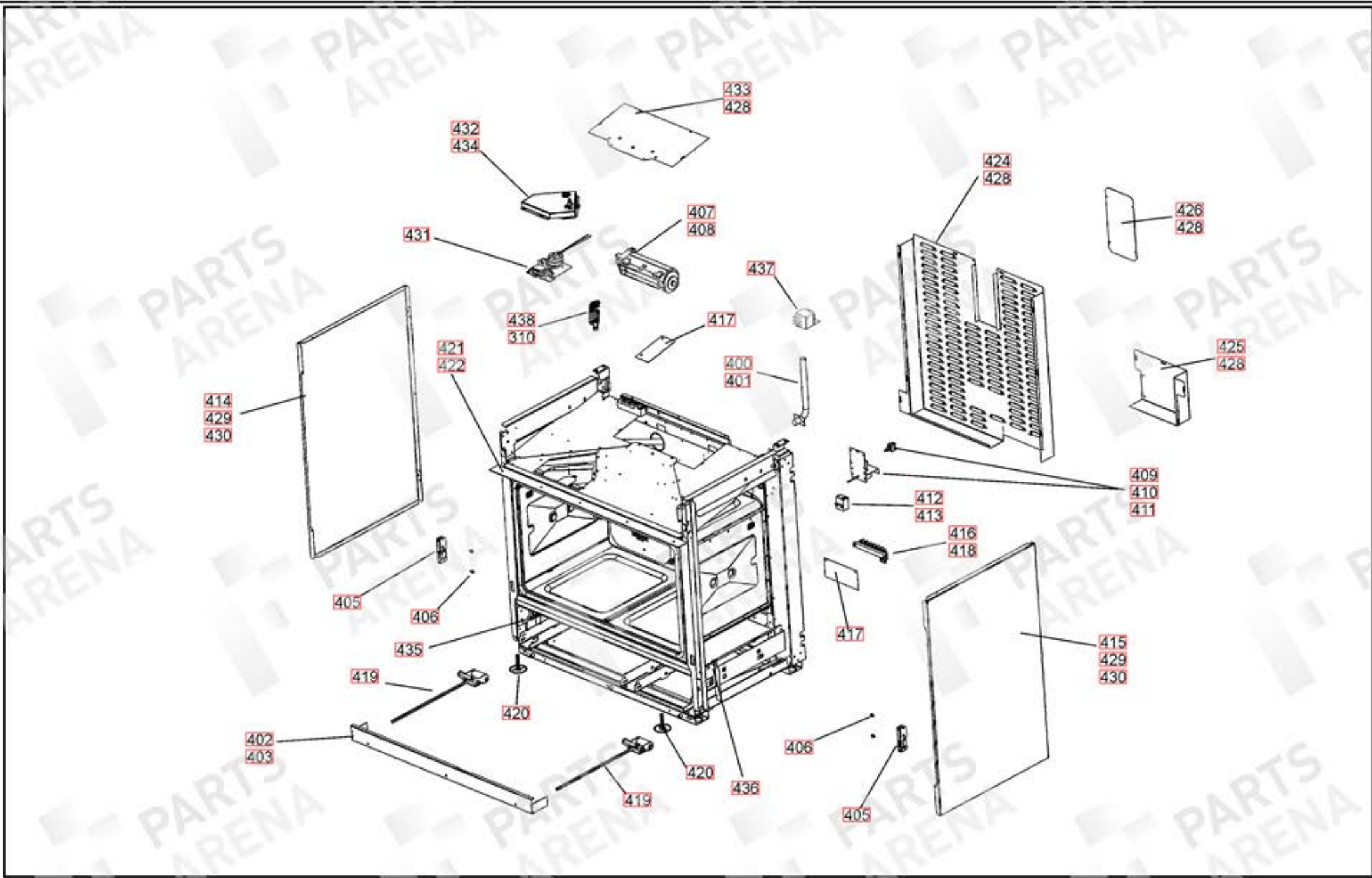
ISSUE STATUS 01

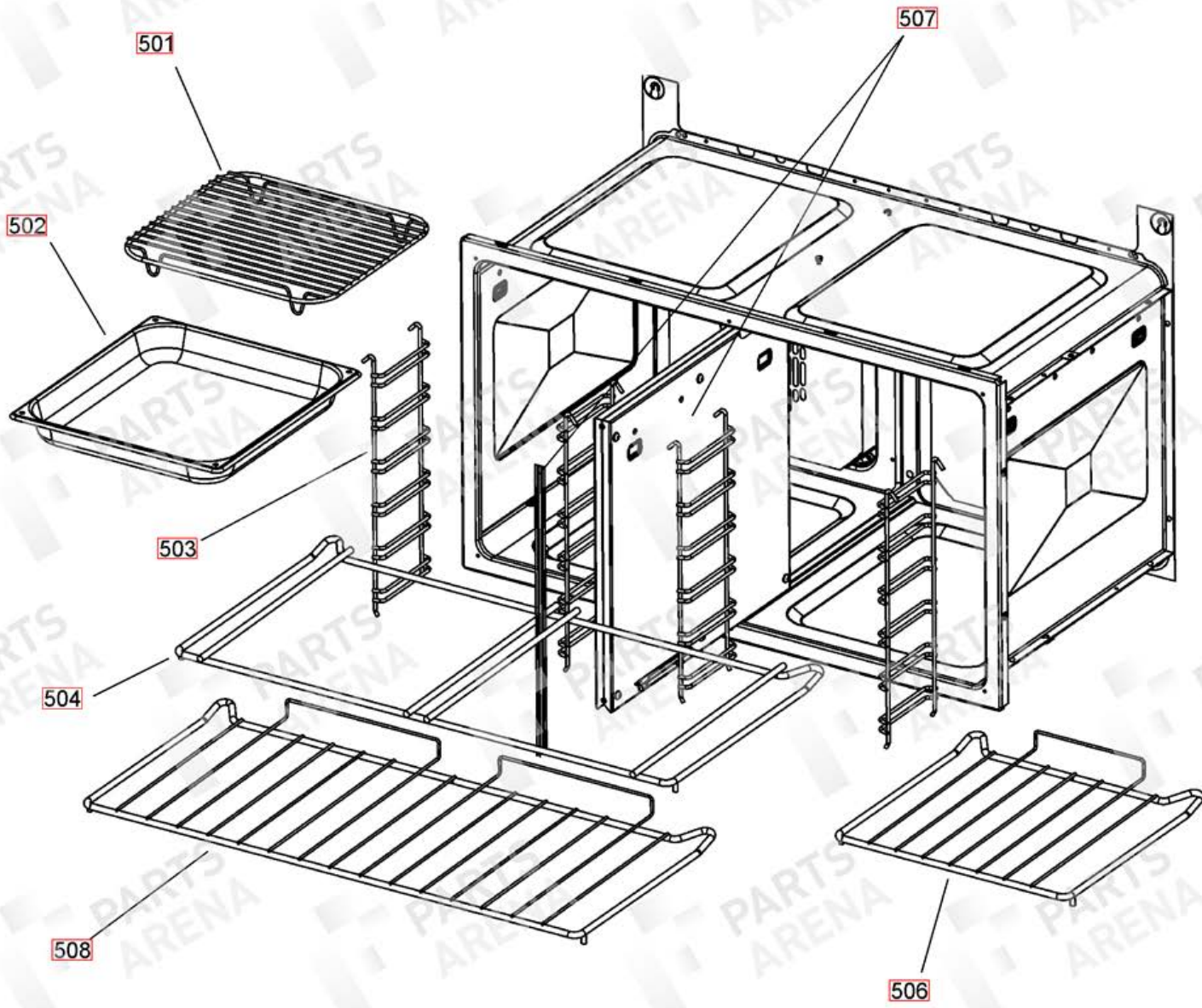


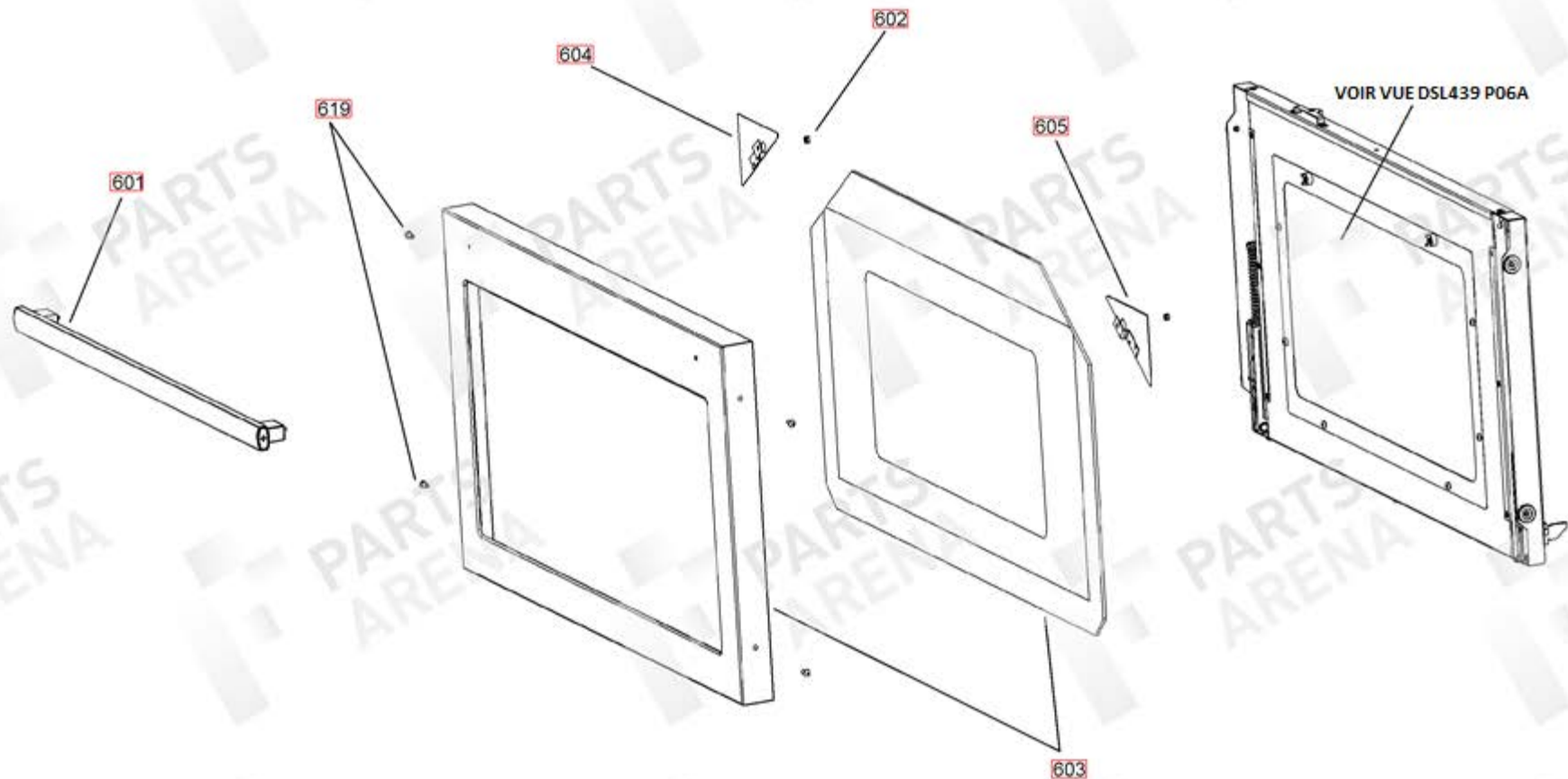


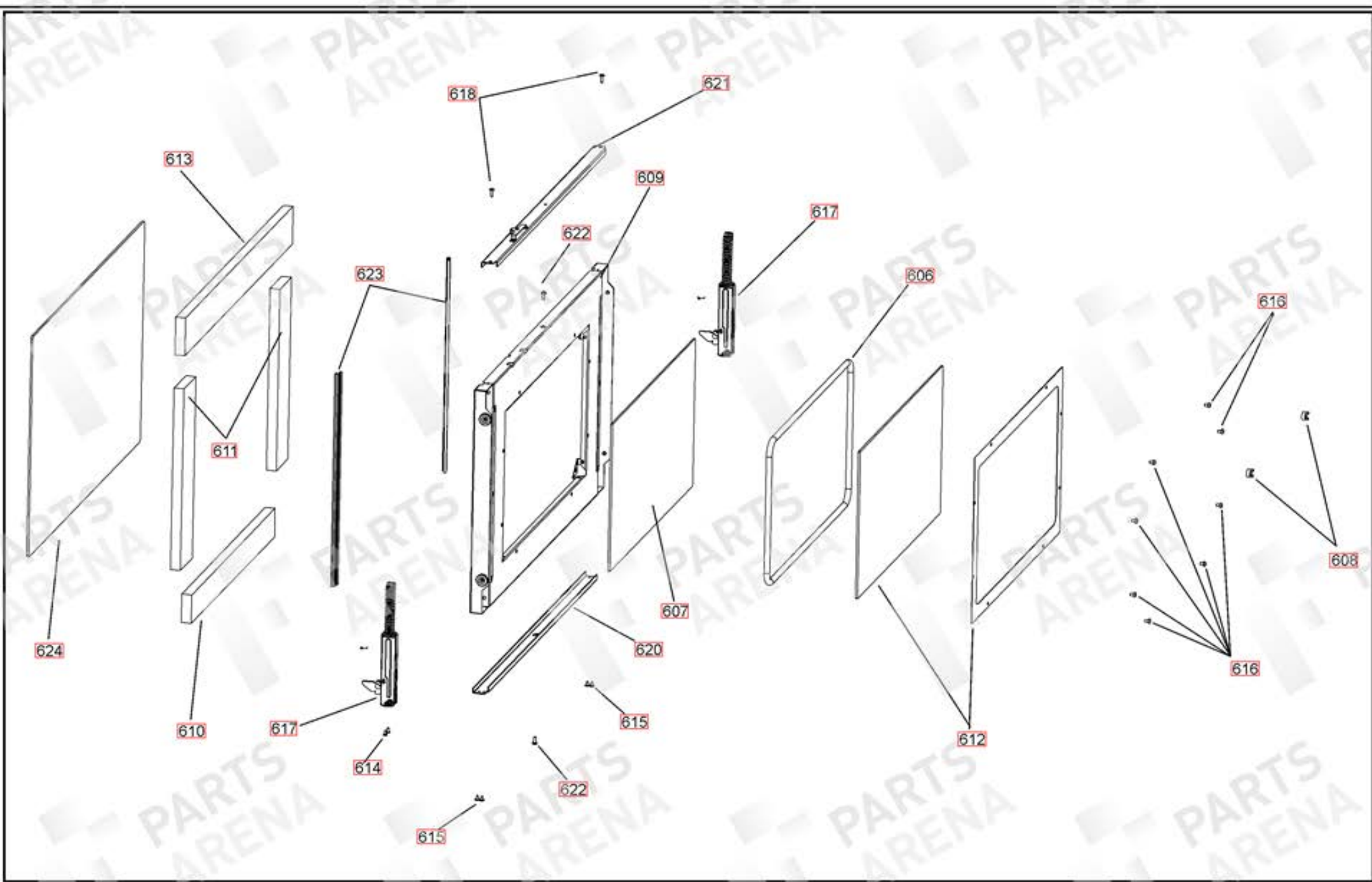




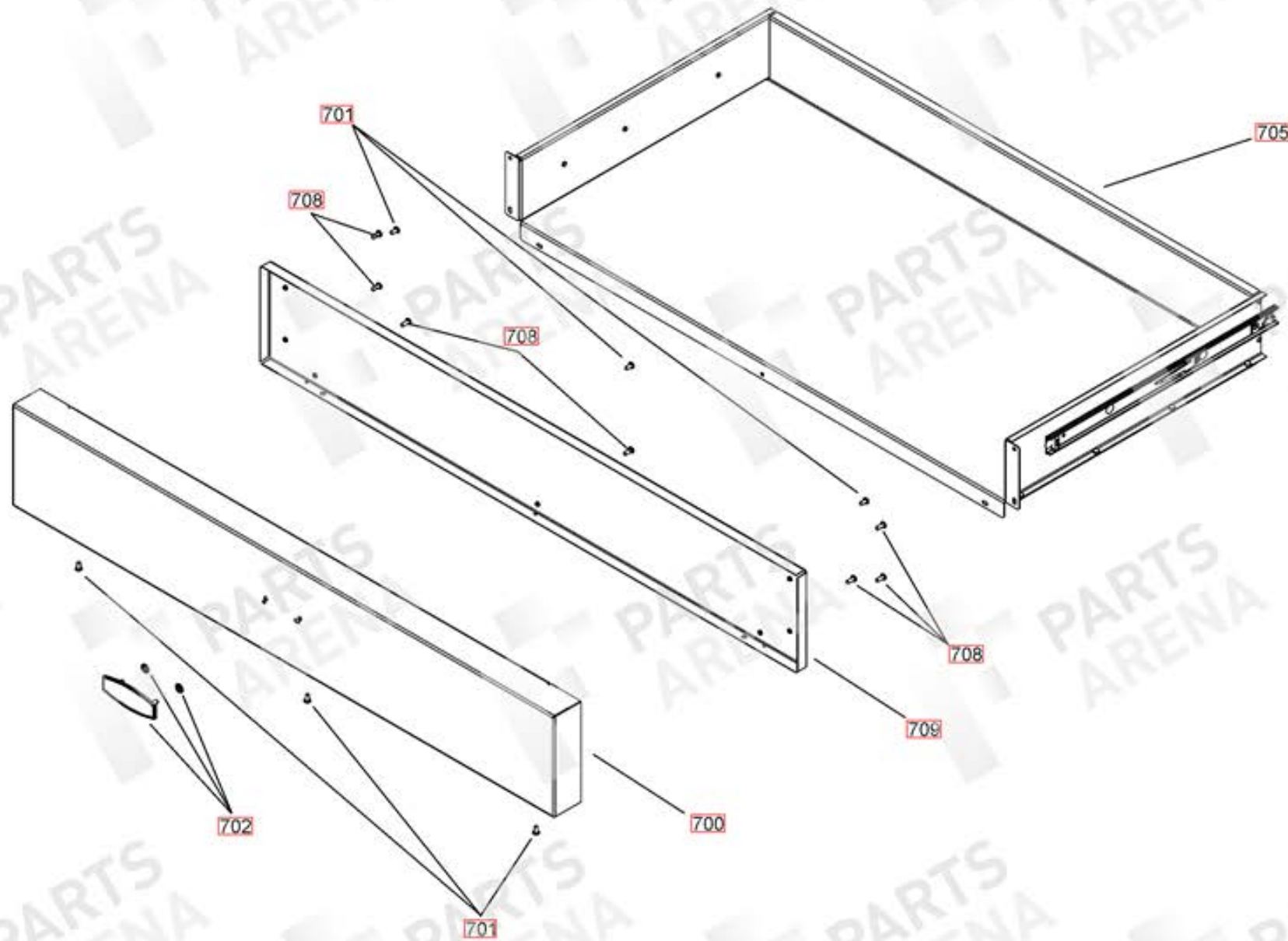


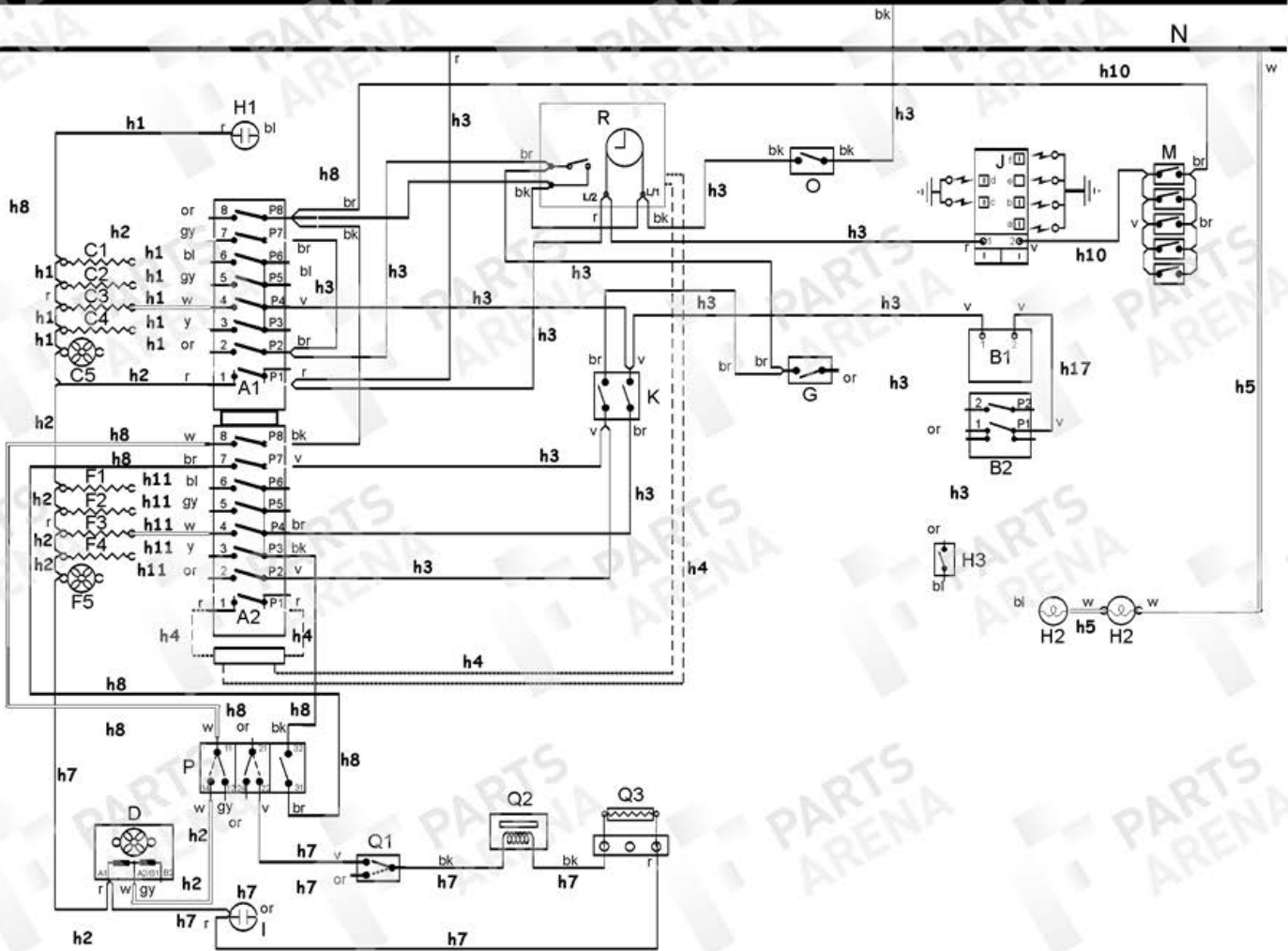












NOTE	Ref Number	Part number	Revision	Description	Quantity
	<b>h1</b>	P050067	01	HARNESS - PYRO RH OVEN	1
	<b>h2</b>	P050068	01	HARNESS COOLING FAN	1
	<b>h3</b>	P050069	01	WIRE HARNESS FEED	1
	<b>h4</b>	P050070	02	WIRE ASSY TIMER PYRO LINK	1
	<b>h5</b>	P045123	01	WIRE ASSY LIGHTS NEUTRAL	1
Not shown	<b>h6</b>	P045124	01	WIRE ASSY EARTHS	2
	<b>h7</b>	P050071	02	HARNESS - DOOR LOCK	1
	<b>h8</b>	P050072	01	HARNESS - PYRO STAT FEED	1
Not shown	<b>h9</b>	P049241	01	WIRE ASSEMBLY	1
	<b>h10</b>	P049254	01	WIRING HARNESS IGNITION	1
	<b>h11</b>	P050073	01	HARNESS - PYRO LH OVEN	1
Not shown	<b>h15</b>	P049242	01	HT HARNESS	1
	<b>h17</b>	P033074	01	MULTI OVEN STAT/SELECTOR SW-VIOLET	1

Description	Code
MF oven master switch	<b>A1</b>
MF oven drone switch	<b>A2</b>
Oven thermostat	<b>B1</b>
Oven front switch	<b>B2</b>
RH oven base element	<b>C1</b>
RH oven top outer element	<b>C2</b>
RH oven top inner element	<b>C3</b>
RH oven fan element	<b>C4</b>
RH oven fan	<b>C5</b>
Cooling fan	<b>D</b>
LH oven base element	<b>F1</b>
LH oven top outer element	<b>F2</b>
LH oven top inner element	<b>F3</b>

Description	Code
LH oven fan element	<b>F4</b>
LH oven fan	<b>F5</b>
Oven protect thermostat	<b>G</b>
Oven neon	<b>H1</b>
Oven light	<b>H2</b>
Oven light switch	<b>H3</b>
Door lock neon	<b>I</b>
Ignition spark generator	<b>J</b>
Oven divider switch	<b>K</b>
Ignition switches	<b>M</b>
Cooling fan fail out-out	<b>O</b>
Pyrolytic thermostat	<b>P</b>
Lock cam switch	<b>Q1</b>
Lock motor	<b>Q2</b>
Lock motor resistor	<b>Q3</b>
Clock	<b>R</b>

Colour	Code
Black	<b>bk</b>
Blue	<b>bl</b>
Brown	<b>br</b>
Grey	<b>gy</b>
Orange	<b>o</b>
Red	<b>r</b>
Violet	<b>v</b>
White	<b>w</b>
Yellow	<b>y</b>
Flag	<b>(f)</b>