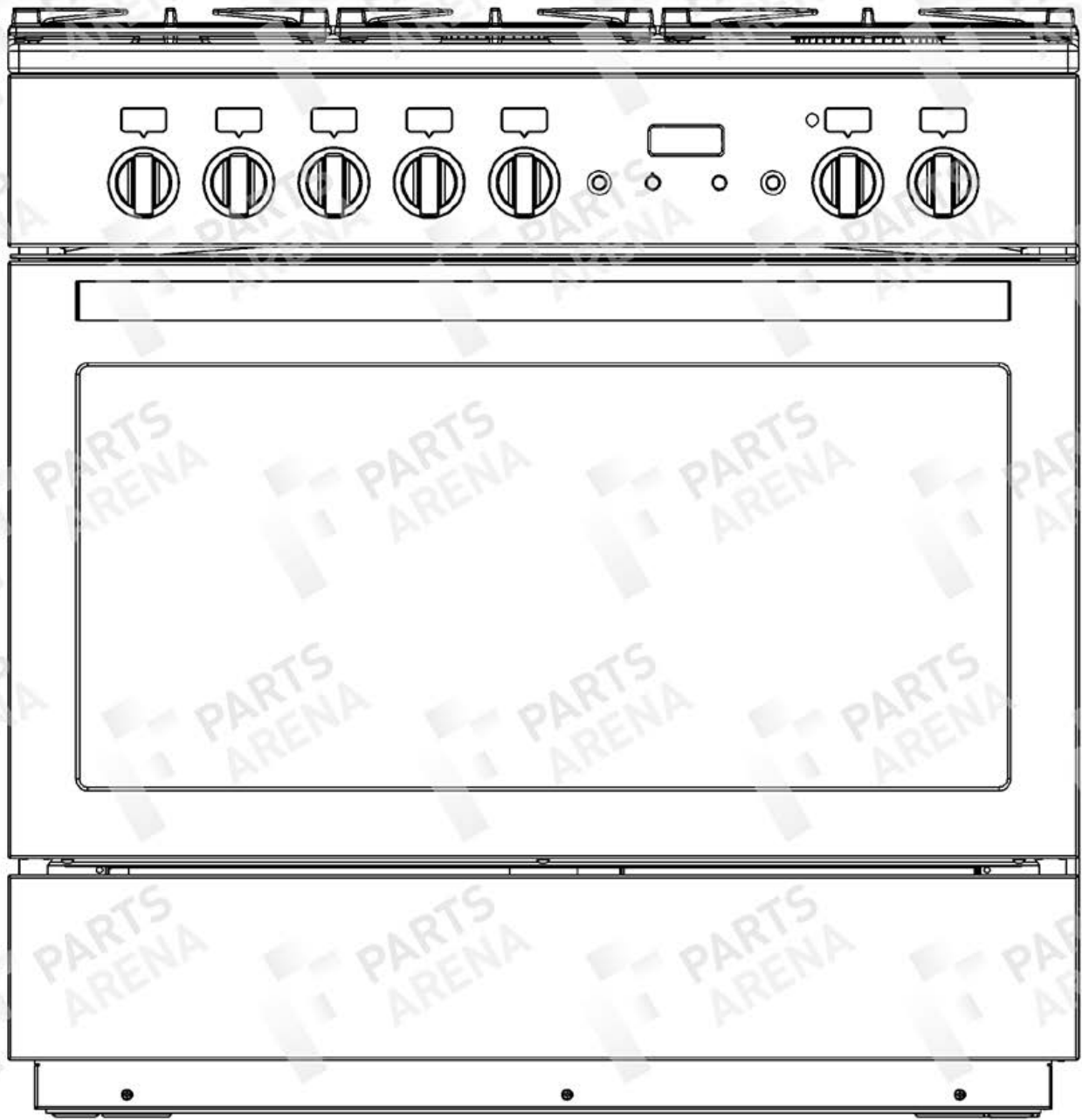
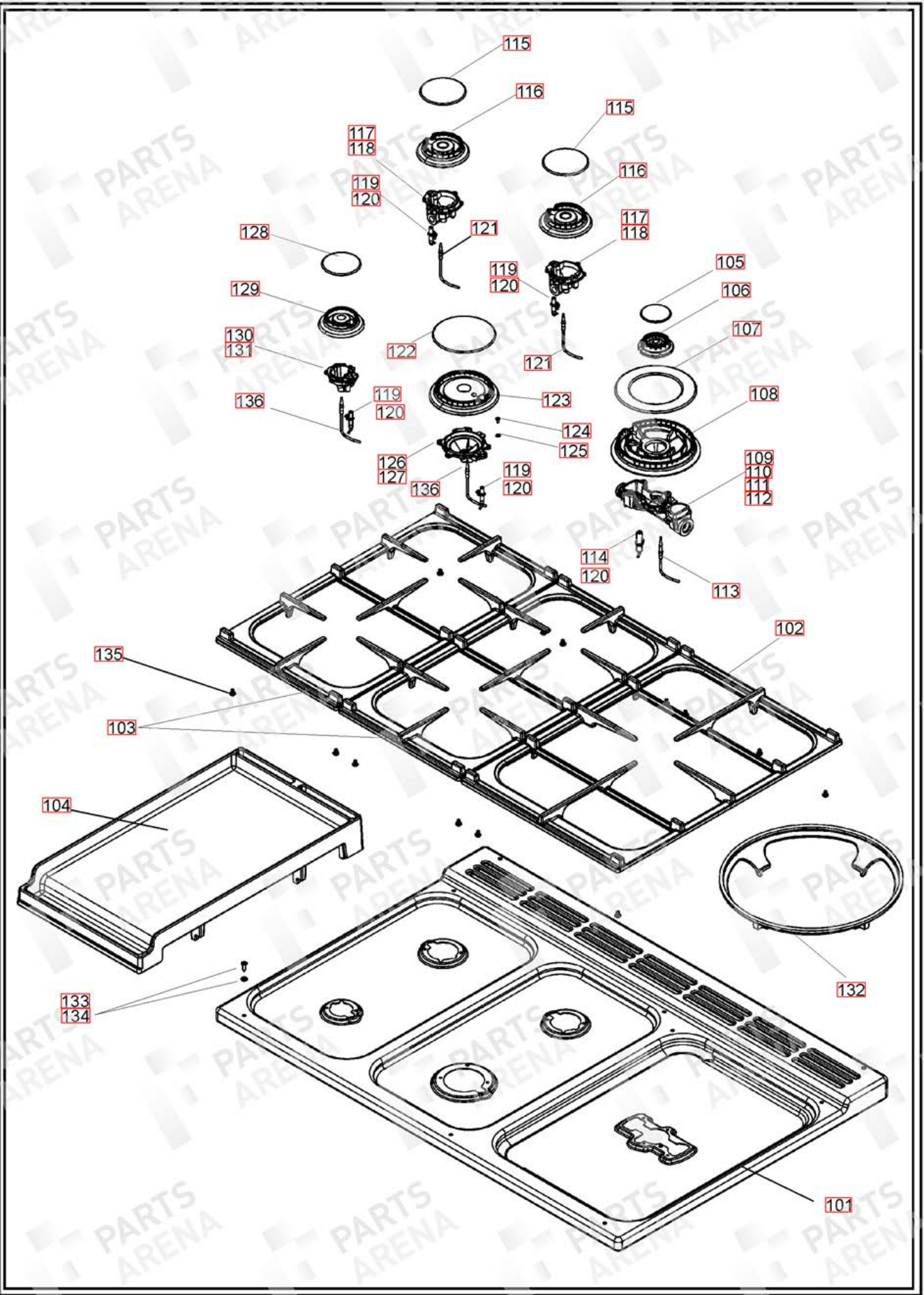


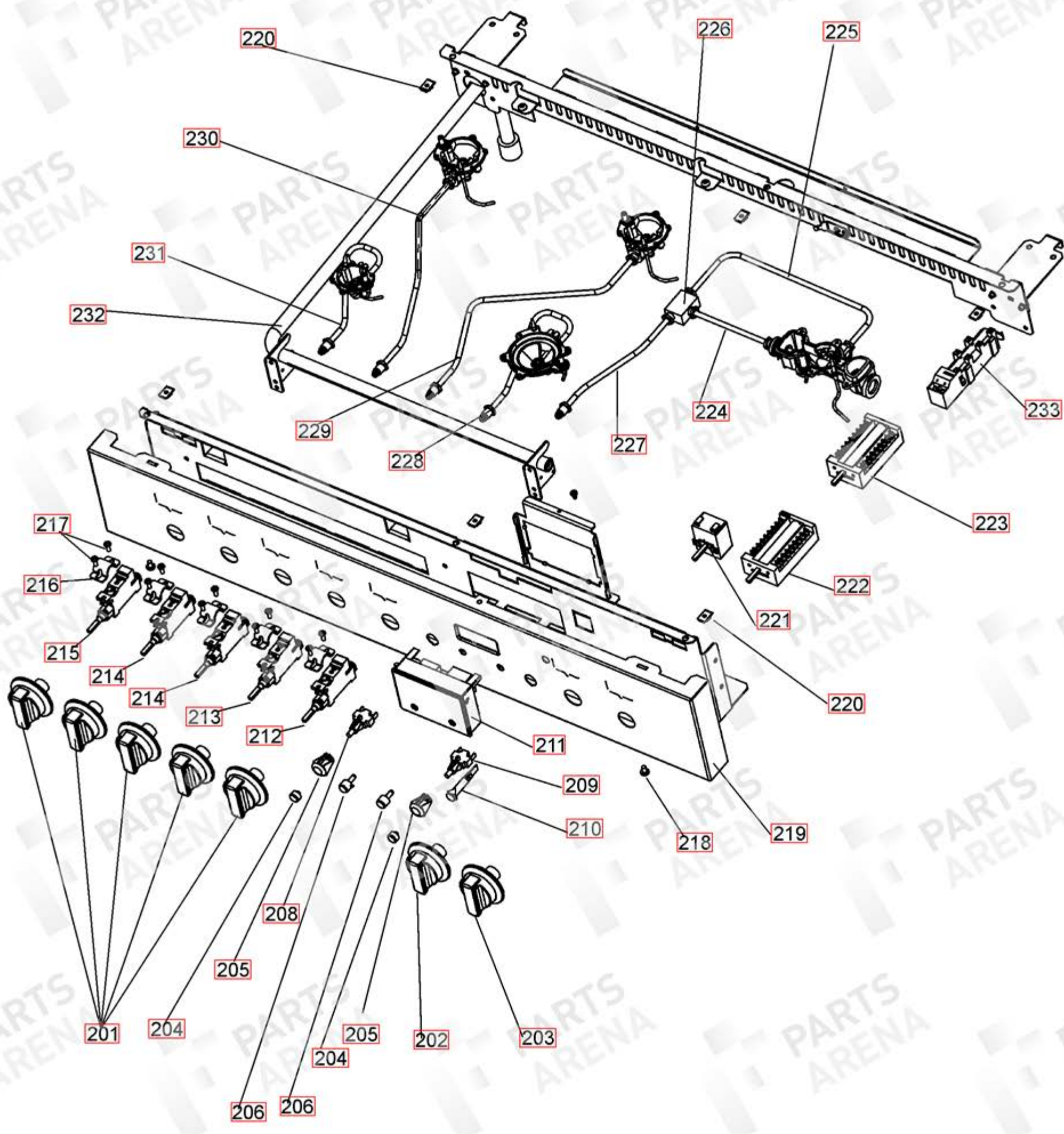
APPLIANCE NAME:
FALCON PRO + FX

DATE 20.04.09

DSL0421 P00
ISSUE STATUS 01





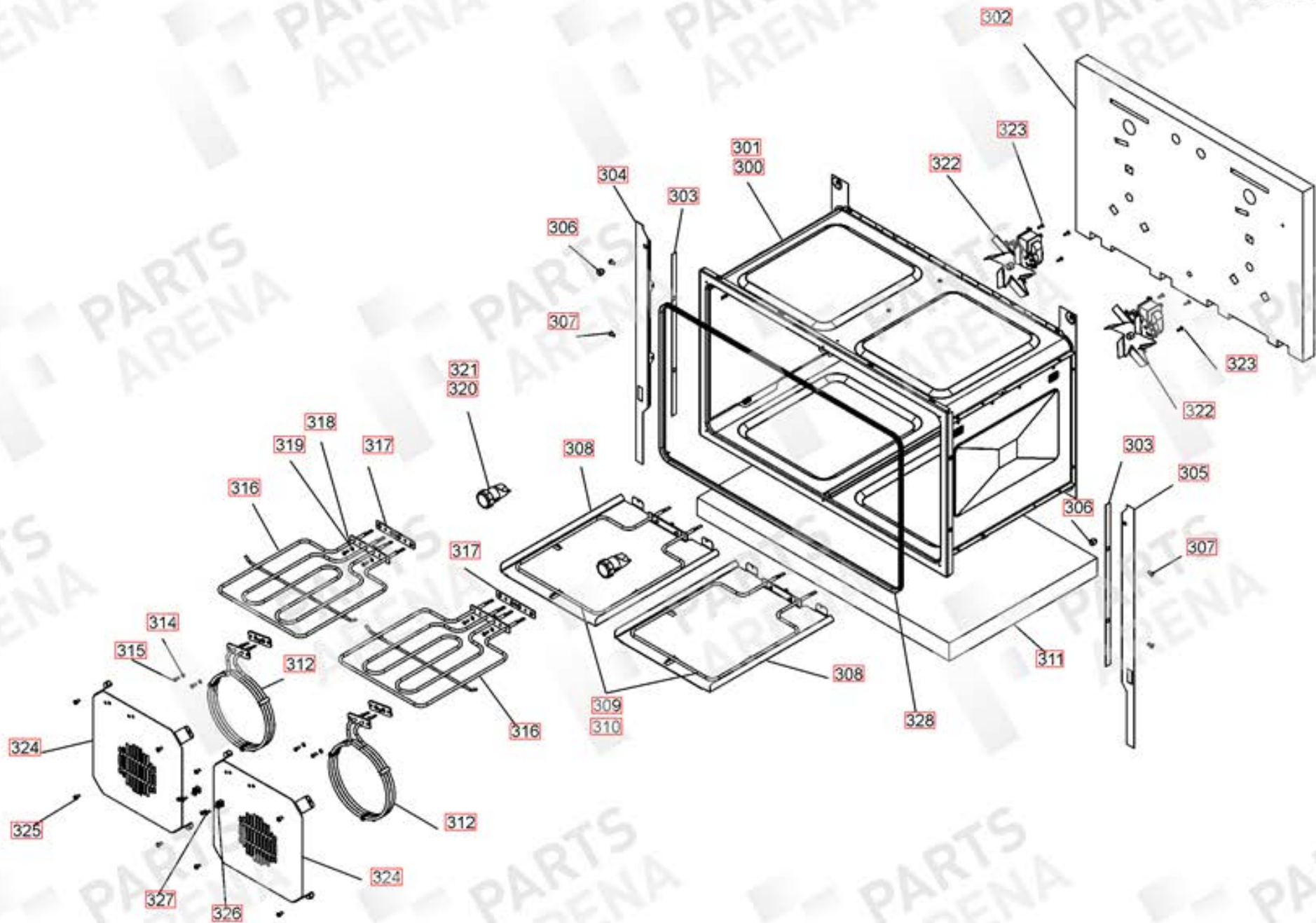


APPLIANCE NAME: FALCON PRO + FX

DATE 20.04.09

DSL0421 P03

ISSUE STATUS 01

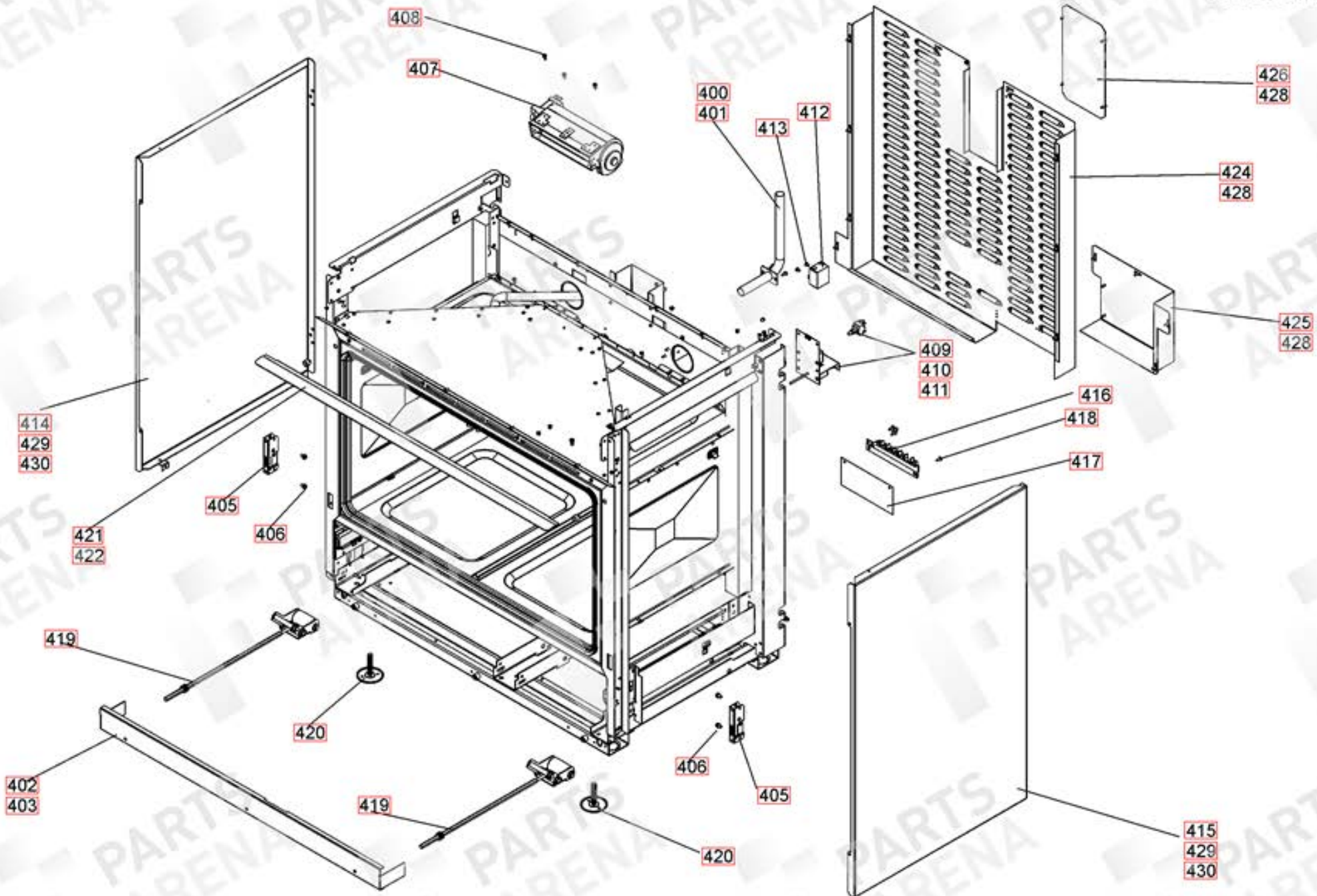


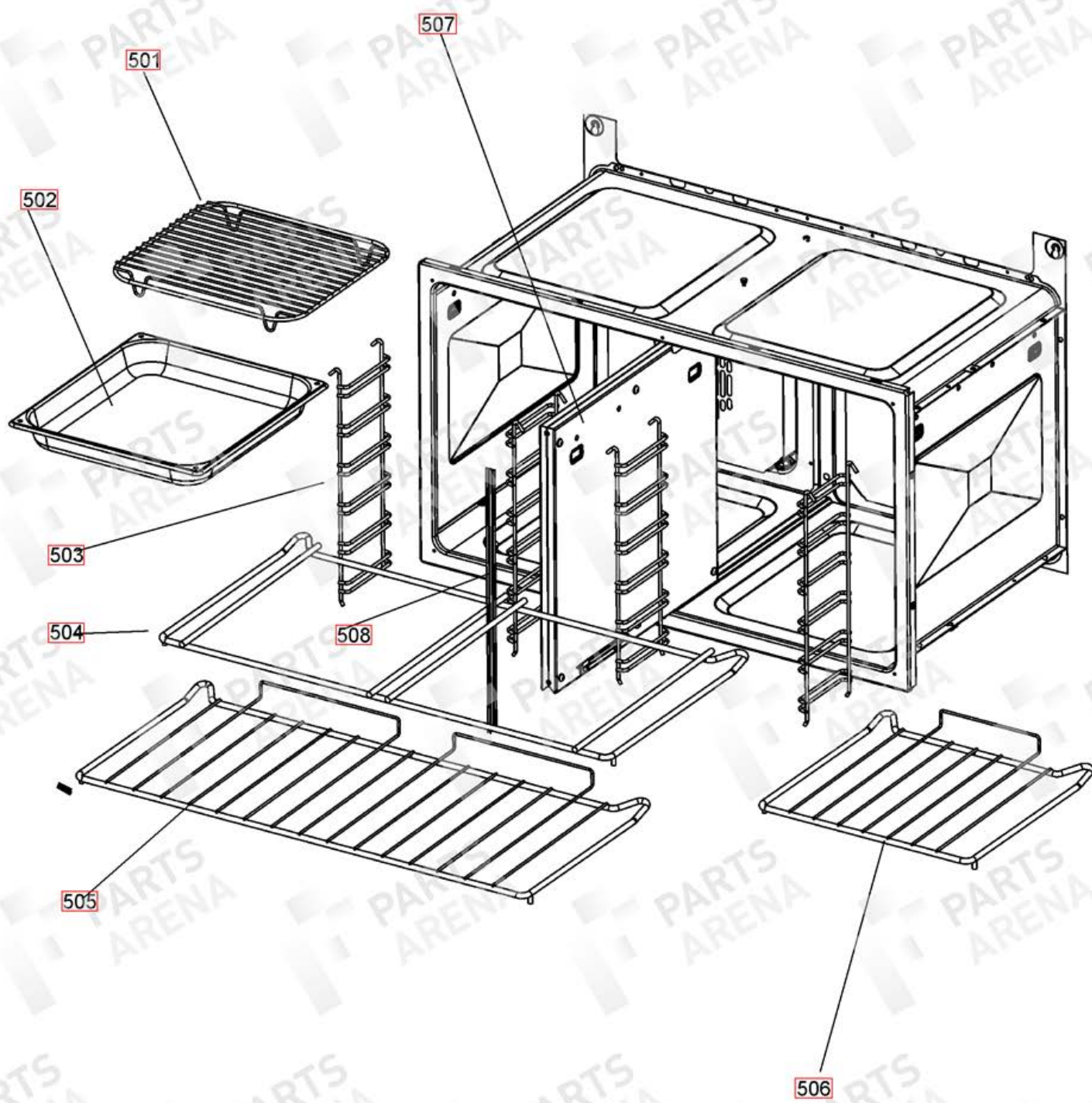
APPLIANCE NAME: FALCON PRO + FX

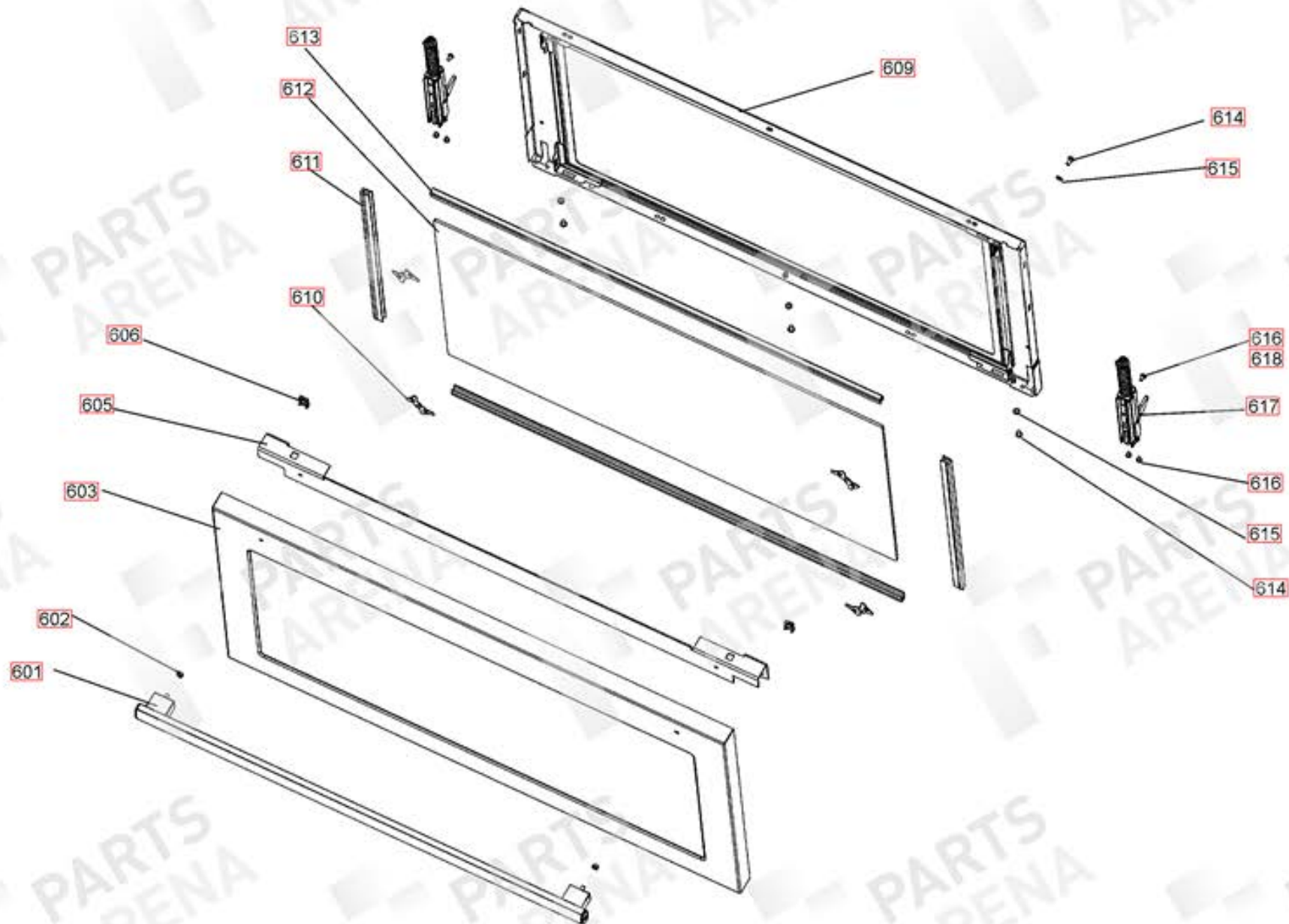
DATE 20.04.09

DSL0421 P04

ISSUE STATUS 01



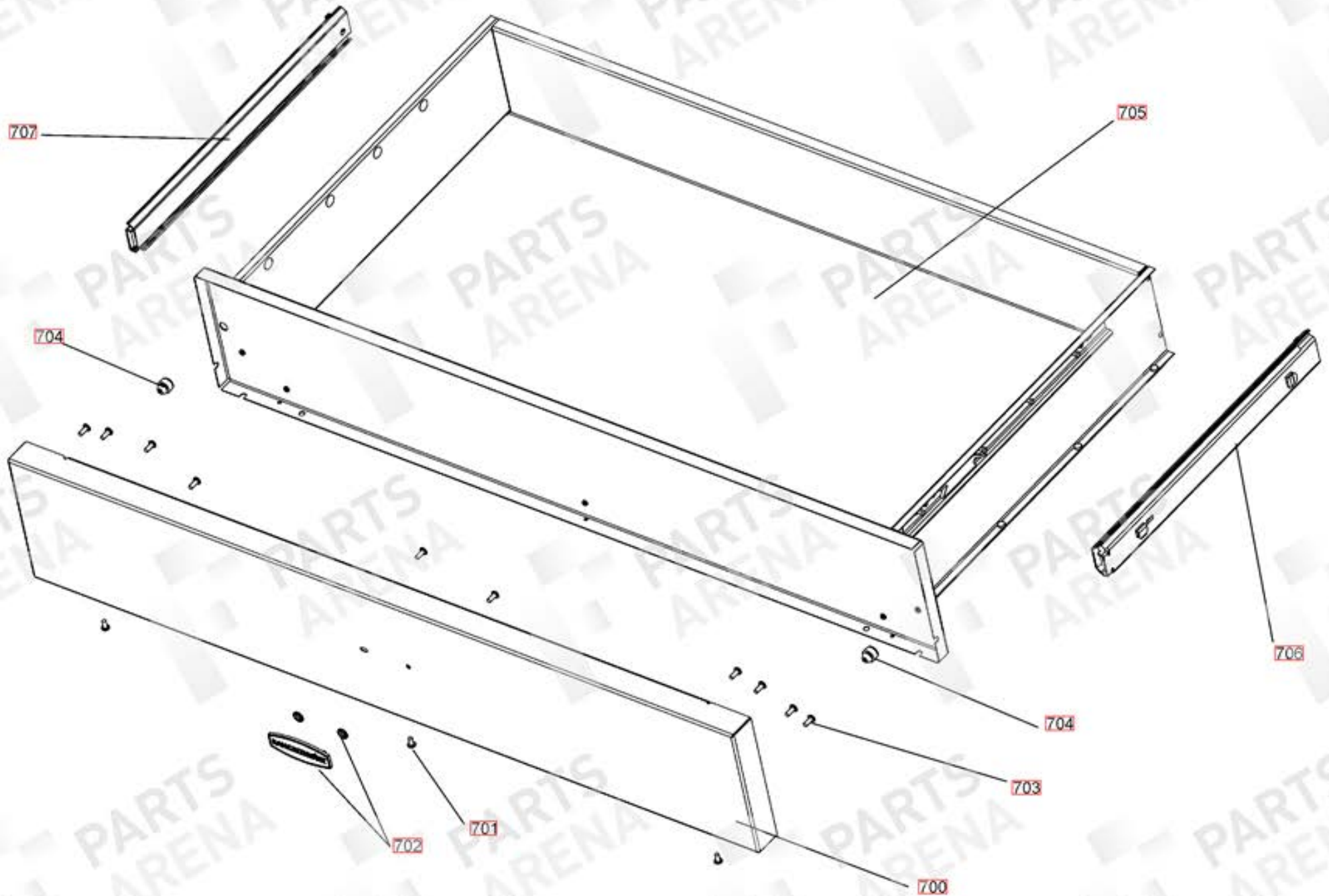




FALCON PRO + FX
UP TO SERIAL NUMBER 119999

DATE 01.07.10

DSL0421 P07
ISSUE STATUS 03



FALCON PRO + FX
FROM SERIAL NUMBER 120000

DATE 01.07.10

DSL0421 P07A

ISSUE STATUS 01

