

CLASSIC DELUXE 90 CERAMIC UK

DATE 26.03.2019

DSL0759 P00

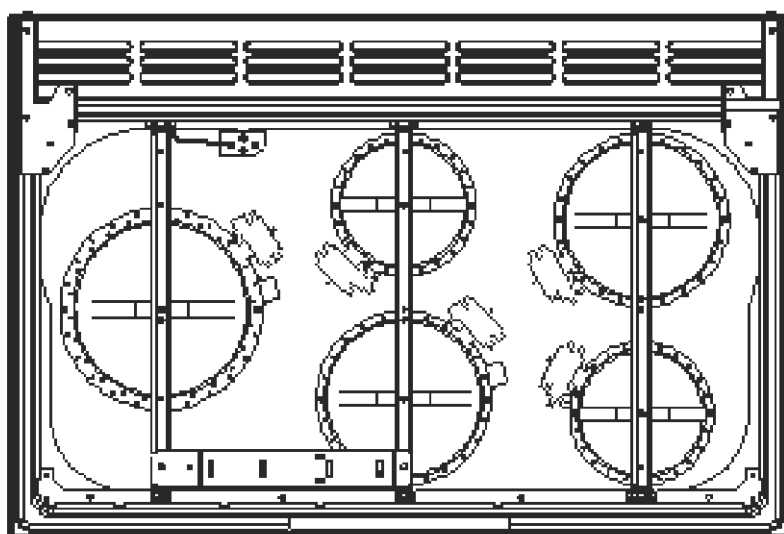
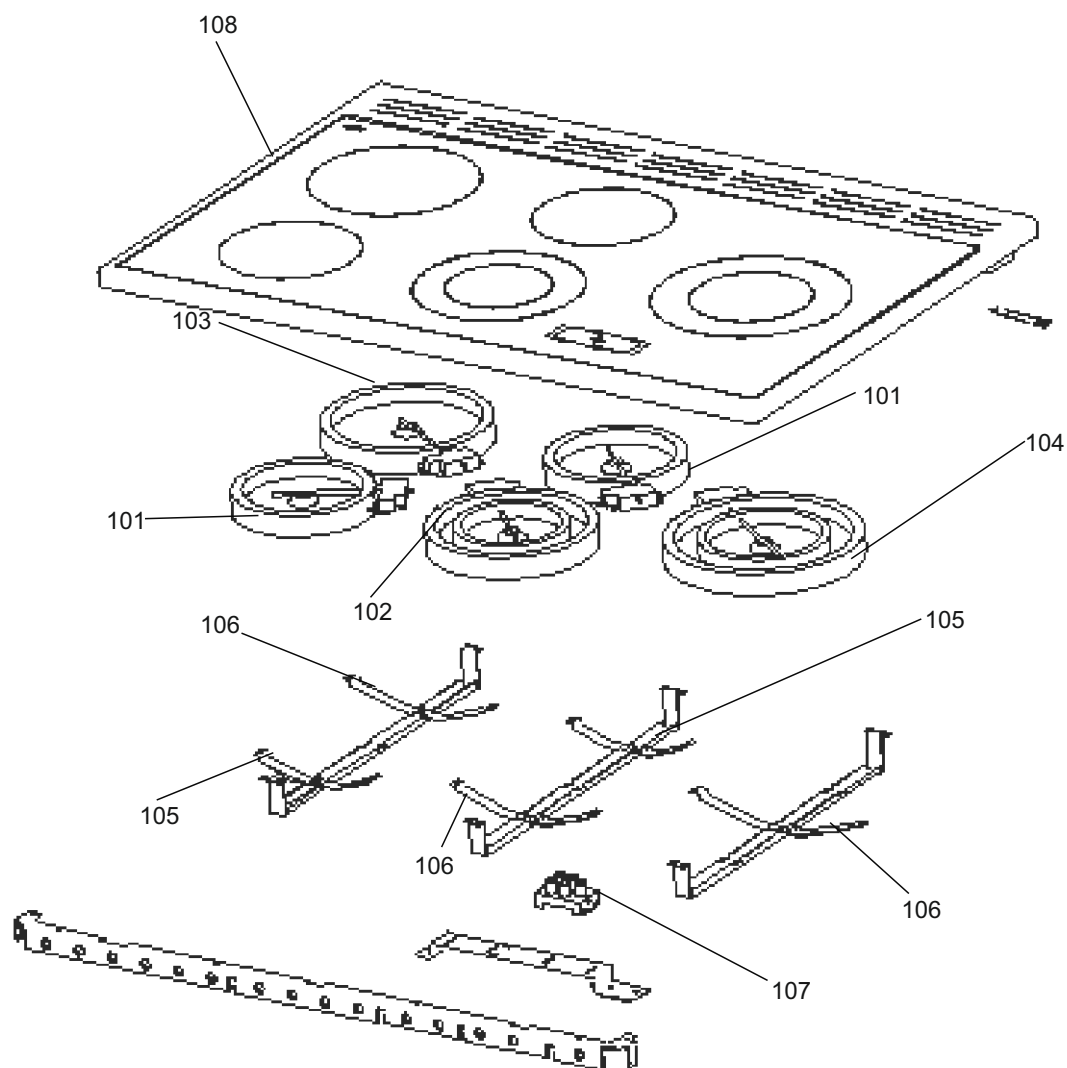
ISSUE STATUS 01



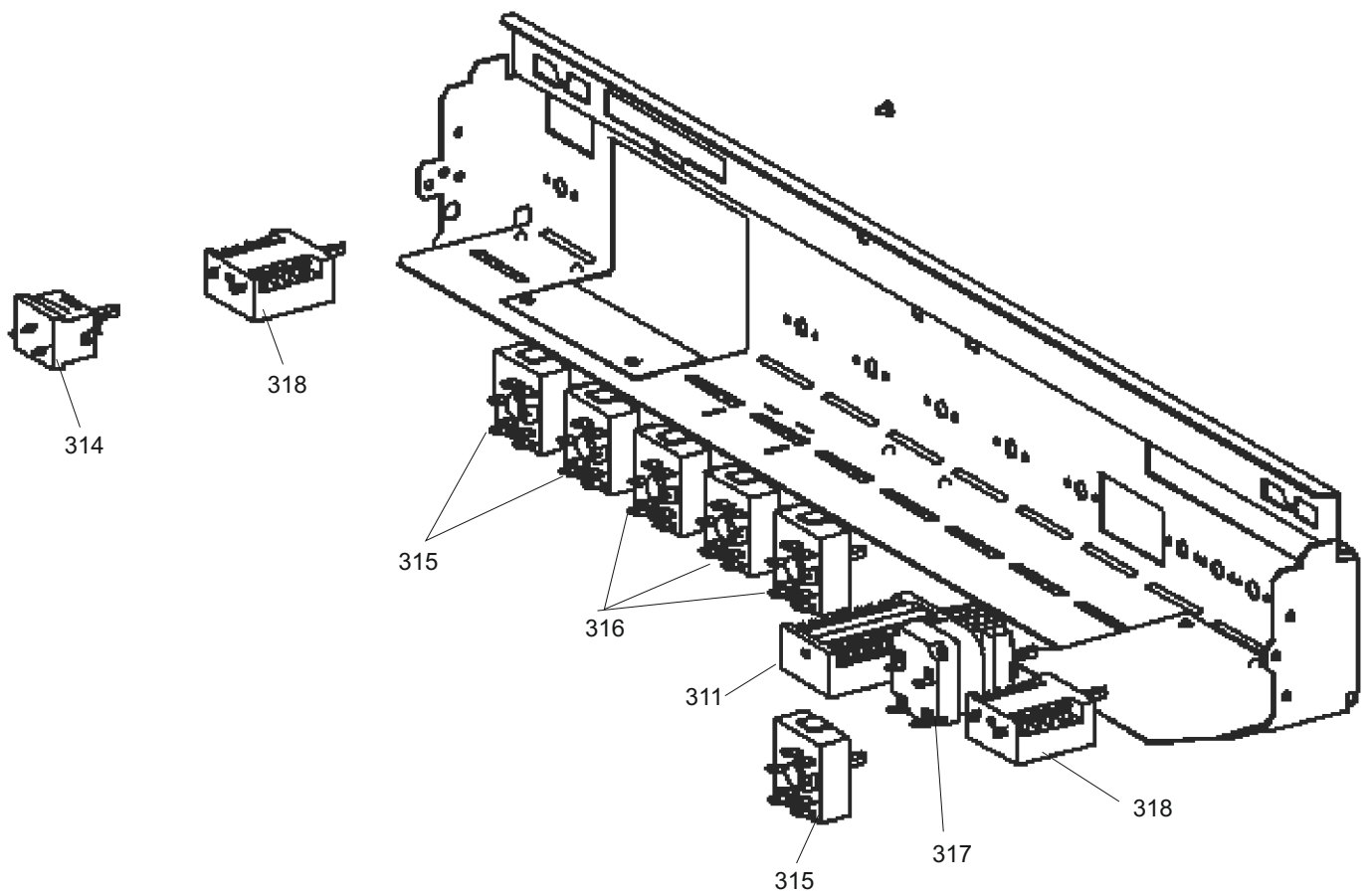
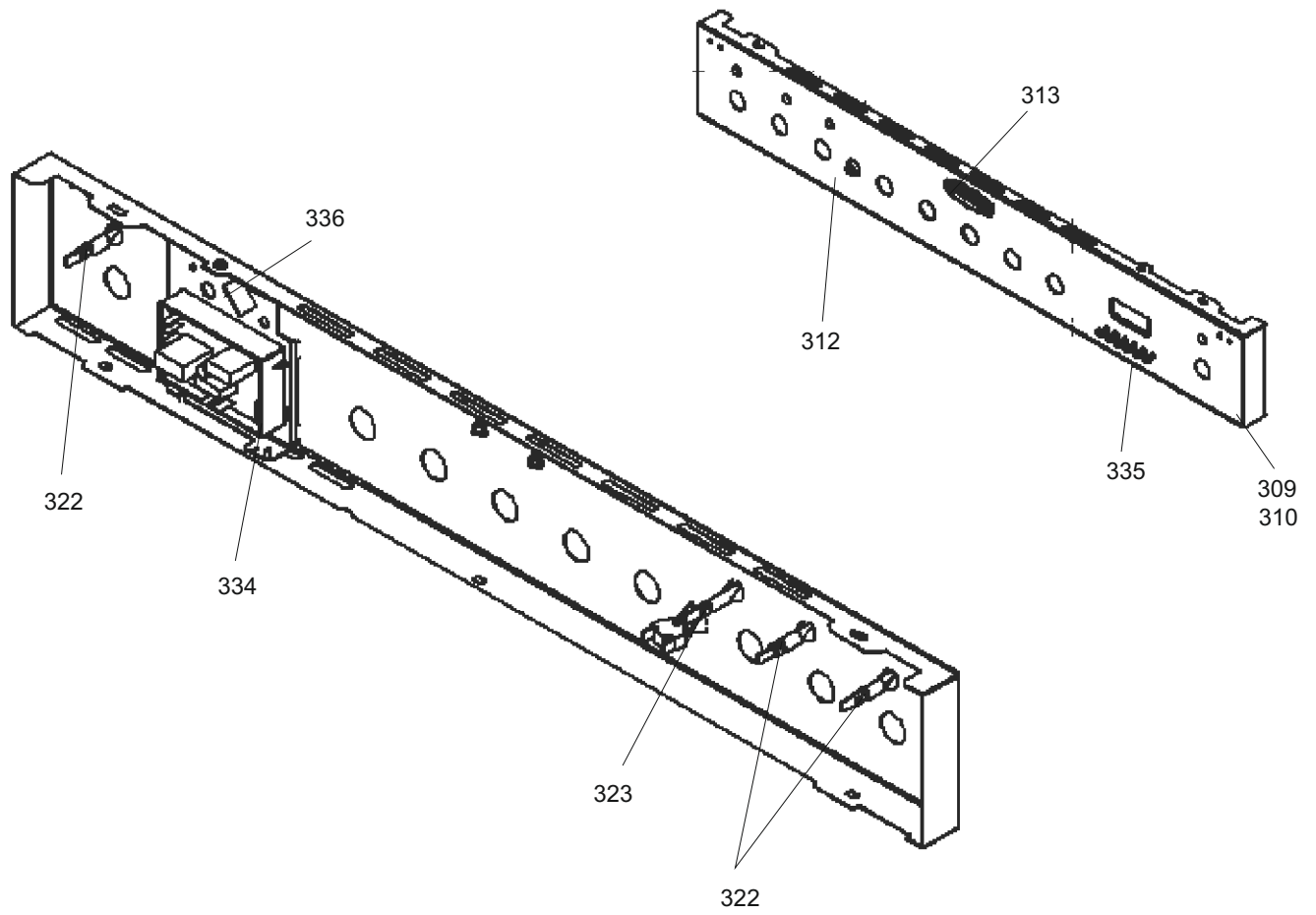
ALL CLASSIC DL 90 CERAMIC  
FROM SERIAL No 203000

DATE 26.03.2019

DSL0759 P01  
ISSUE STATUS 01



**HOB AND CERAMIC ASSEMBLY**

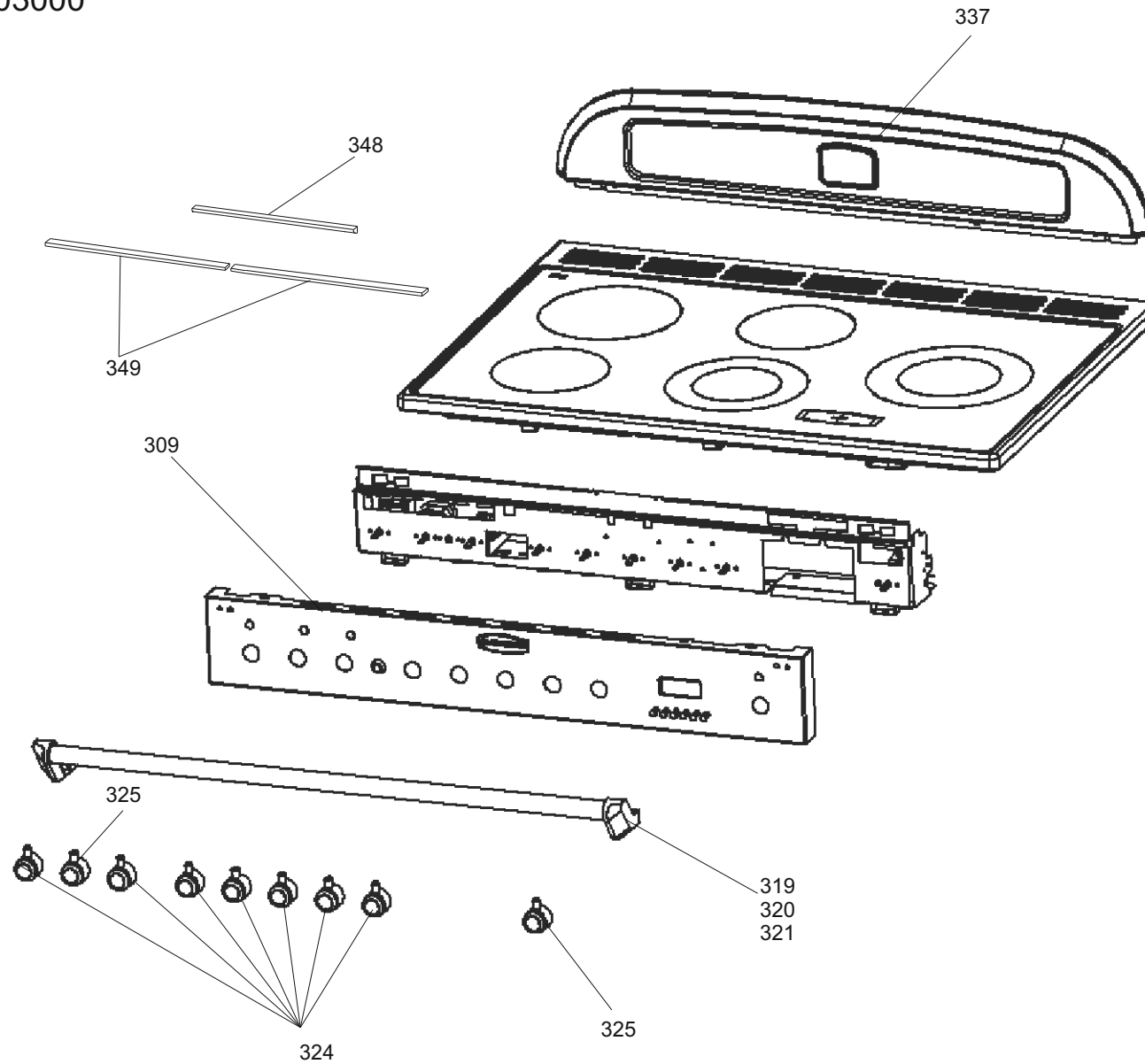


**CONTROL ASSEMBLY**

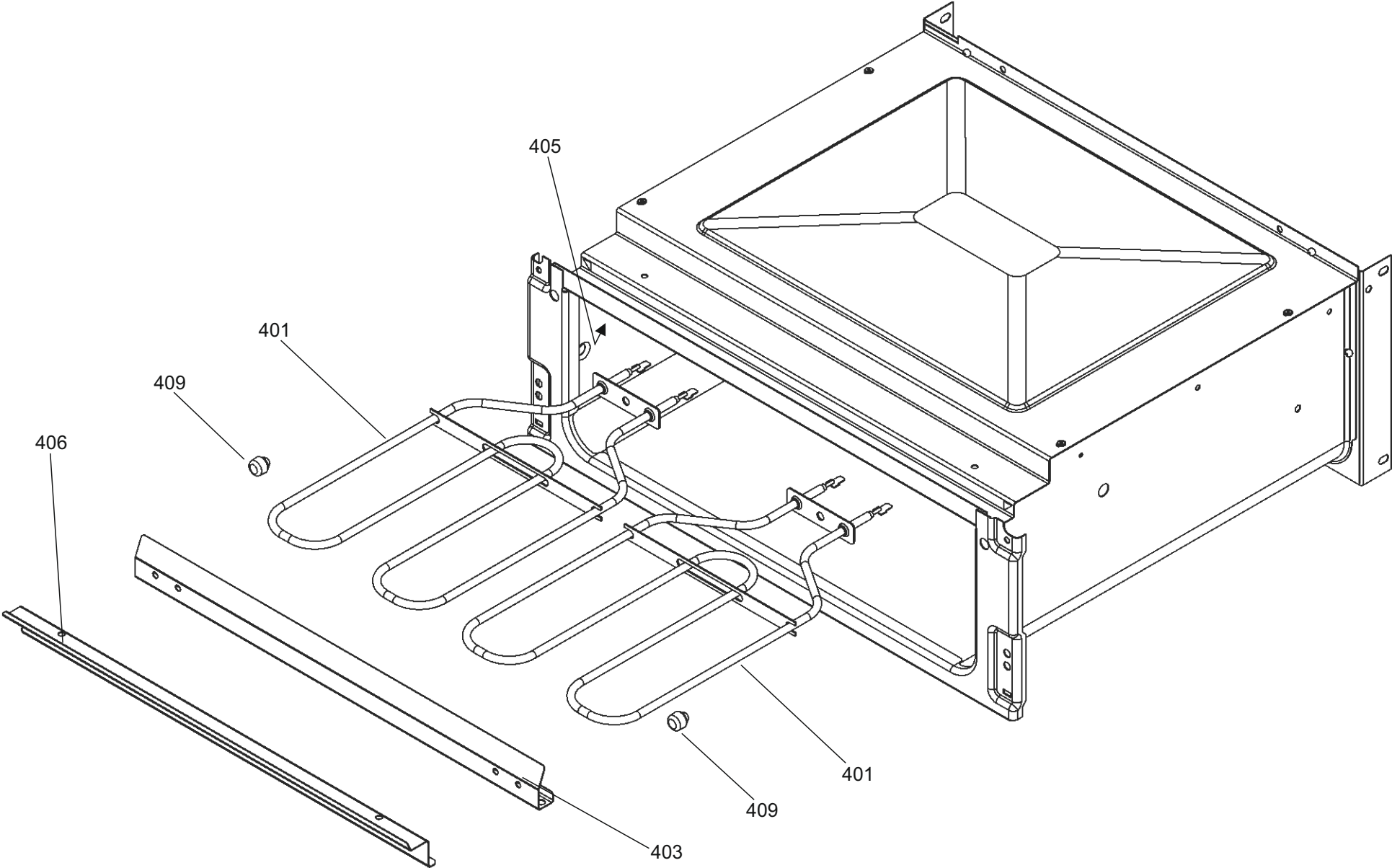
CLASSIC DL 90 CERAMIC  
FROM SERIAL No 203000

ISSUE STATUS 01 DSL0759 P03A

DATE 26.03.2019



## HOB AND CERAMIC ASSEMBLY



**GRILL CHAMBER**

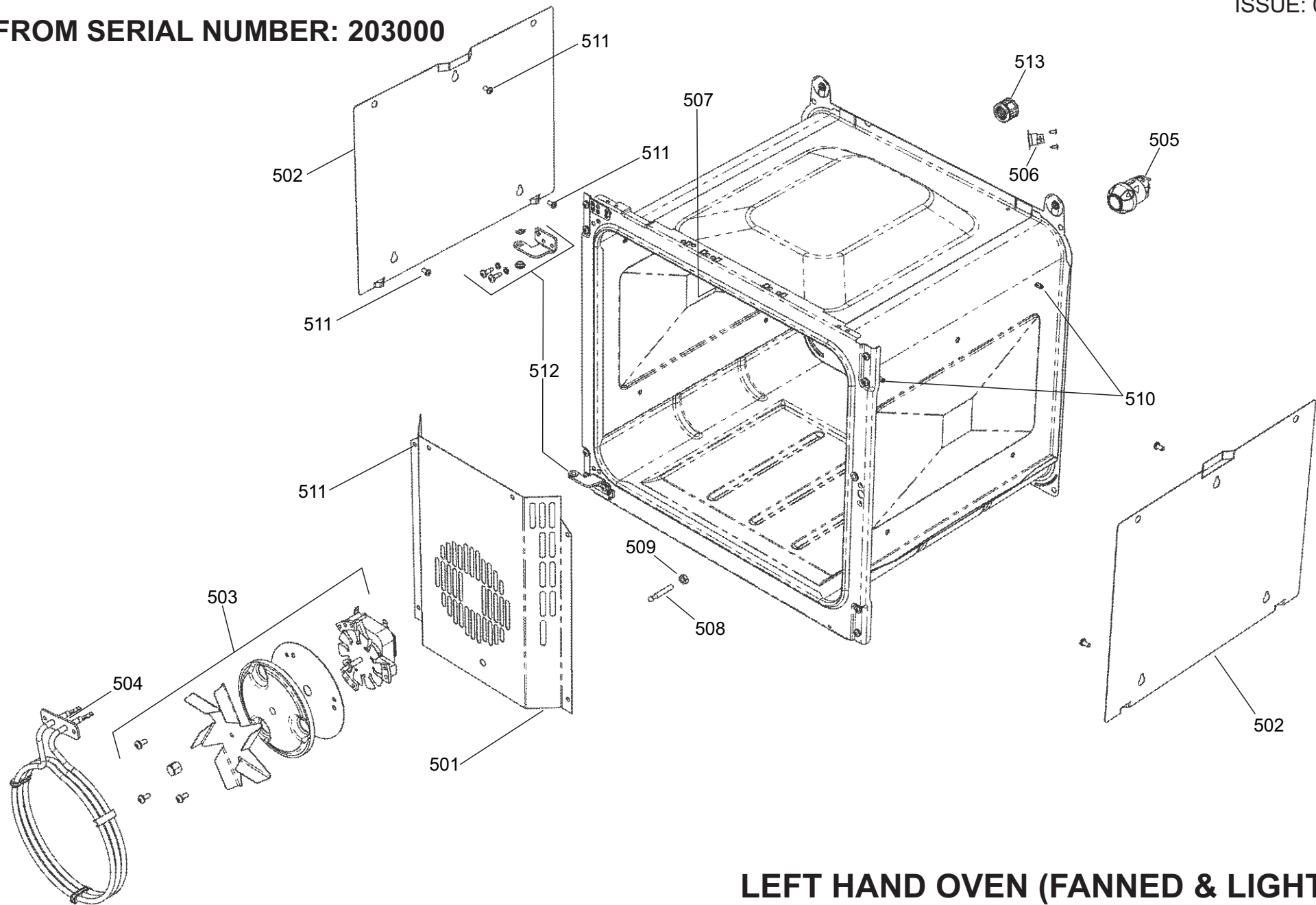
**CLASSIC DELUXE 90 CERAMIC**

DATE: 26.03.2019

**DSL0759 P05**

**FROM SERIAL NUMBER: 203000**

ISSUE: 01

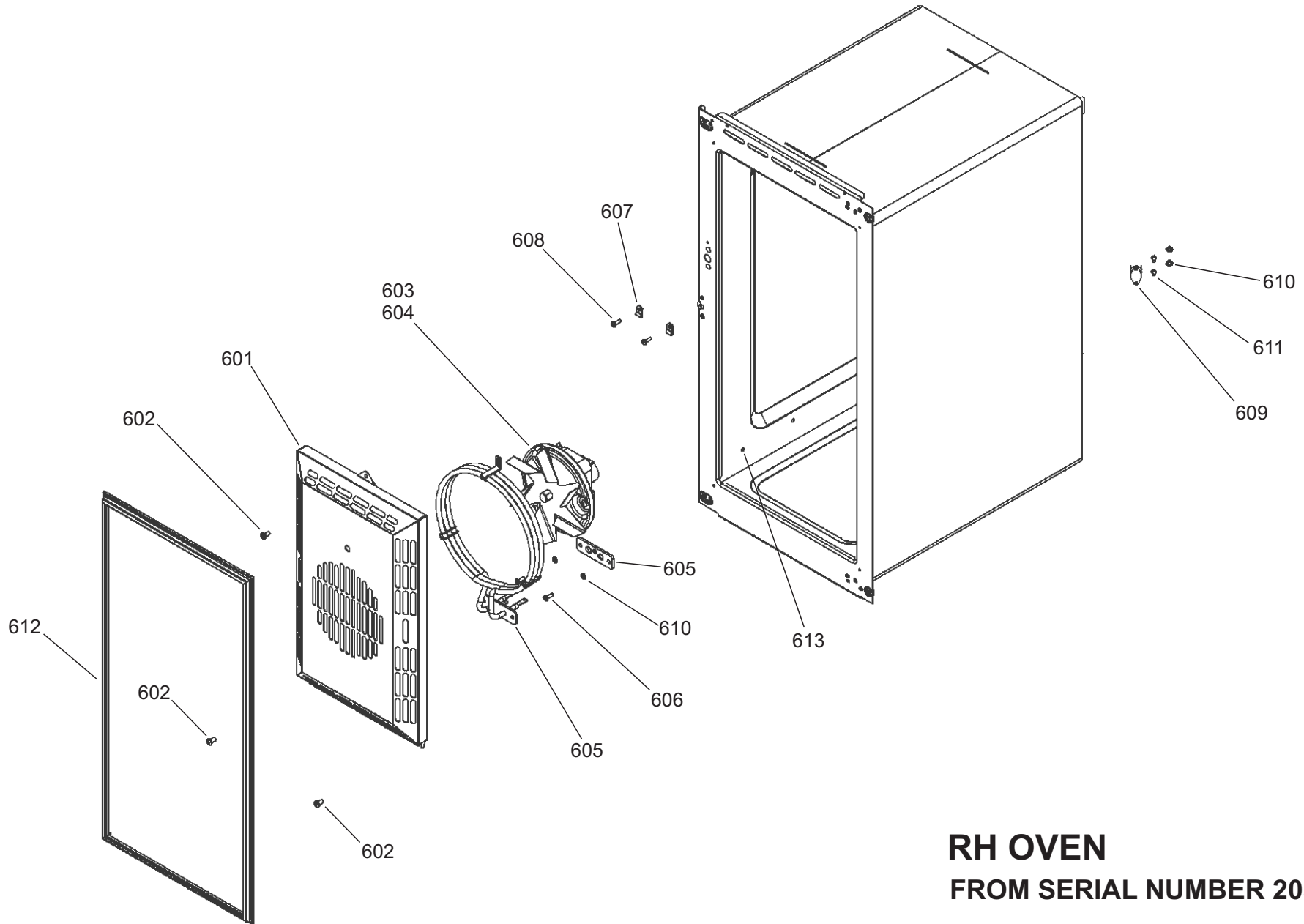


**LEFT HAND OVEN (FANNED & LIGHT)**

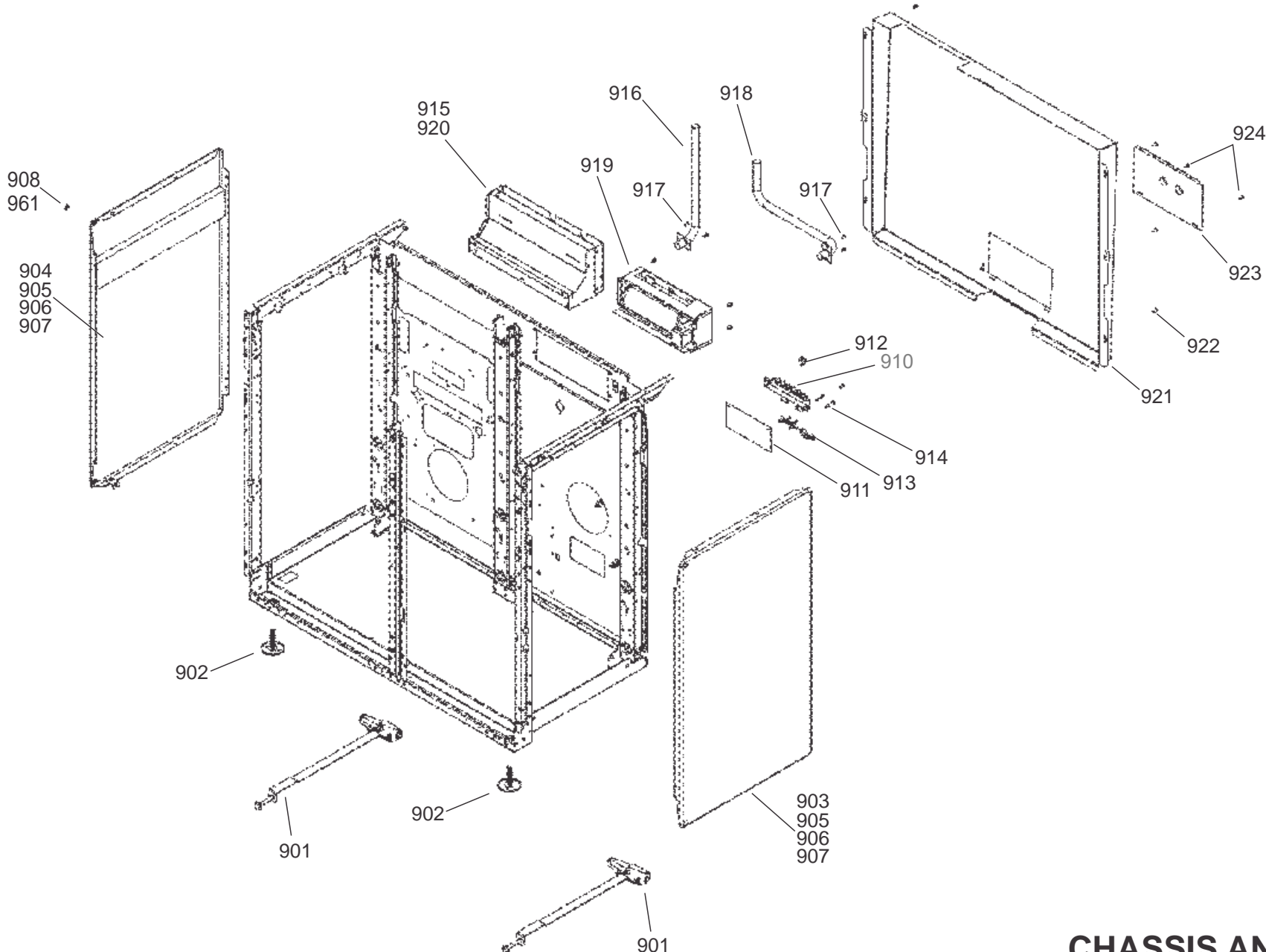
**CLASSIC DL 90 CERAMIC**

DATE 22.04.16 ISSUE 01

**DSL0759 P06**



**RH OVEN**  
**FROM SERIAL NUMBER 203000**



CHASSIS AND BACK

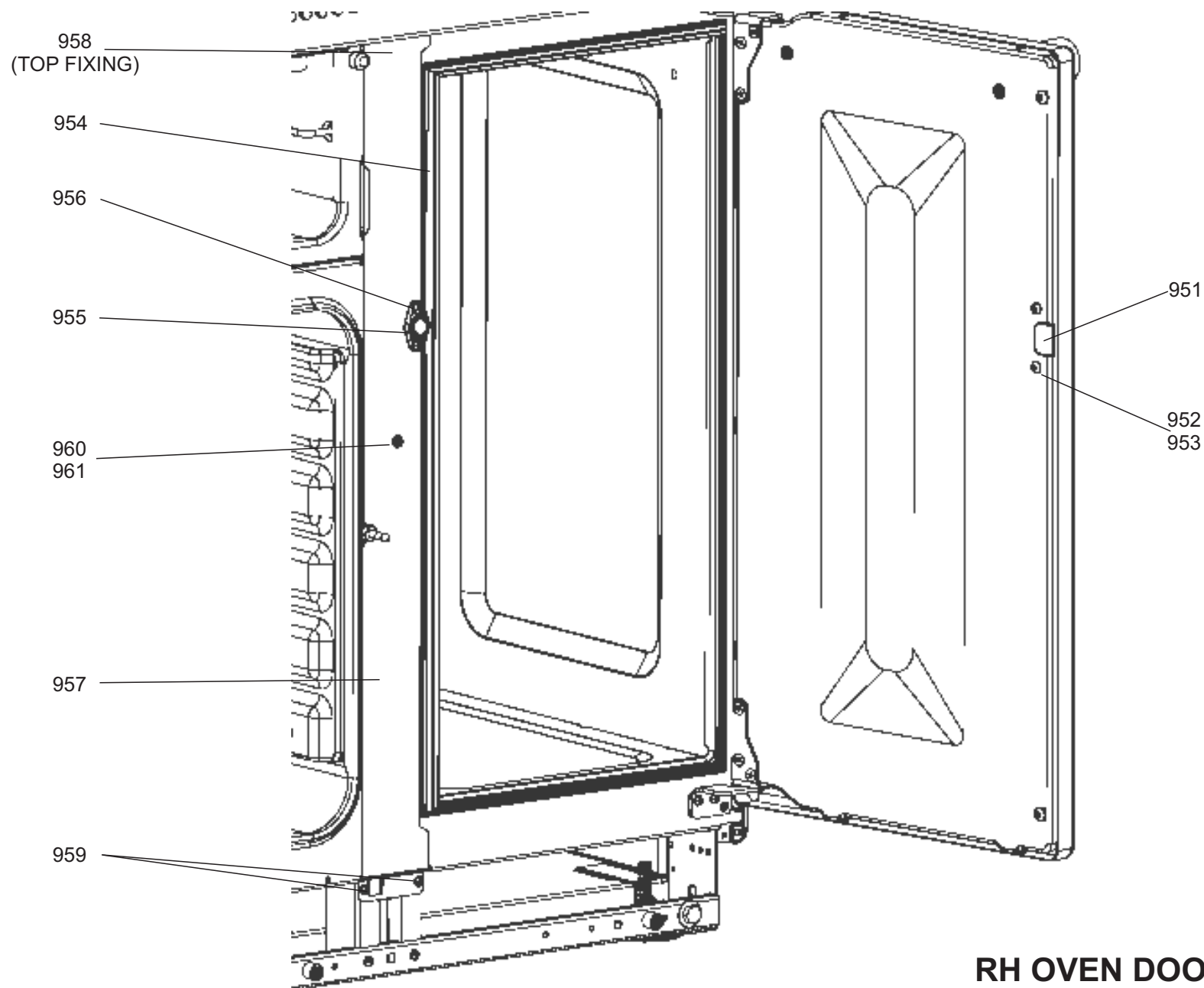


**CLASSIC DELUXE 90 CERAMIC**  
**FROM SERIAL NUMBER 203000**

**DSL0759 P09A**

ISSUE STATUS 01

DATE 26.03.2019

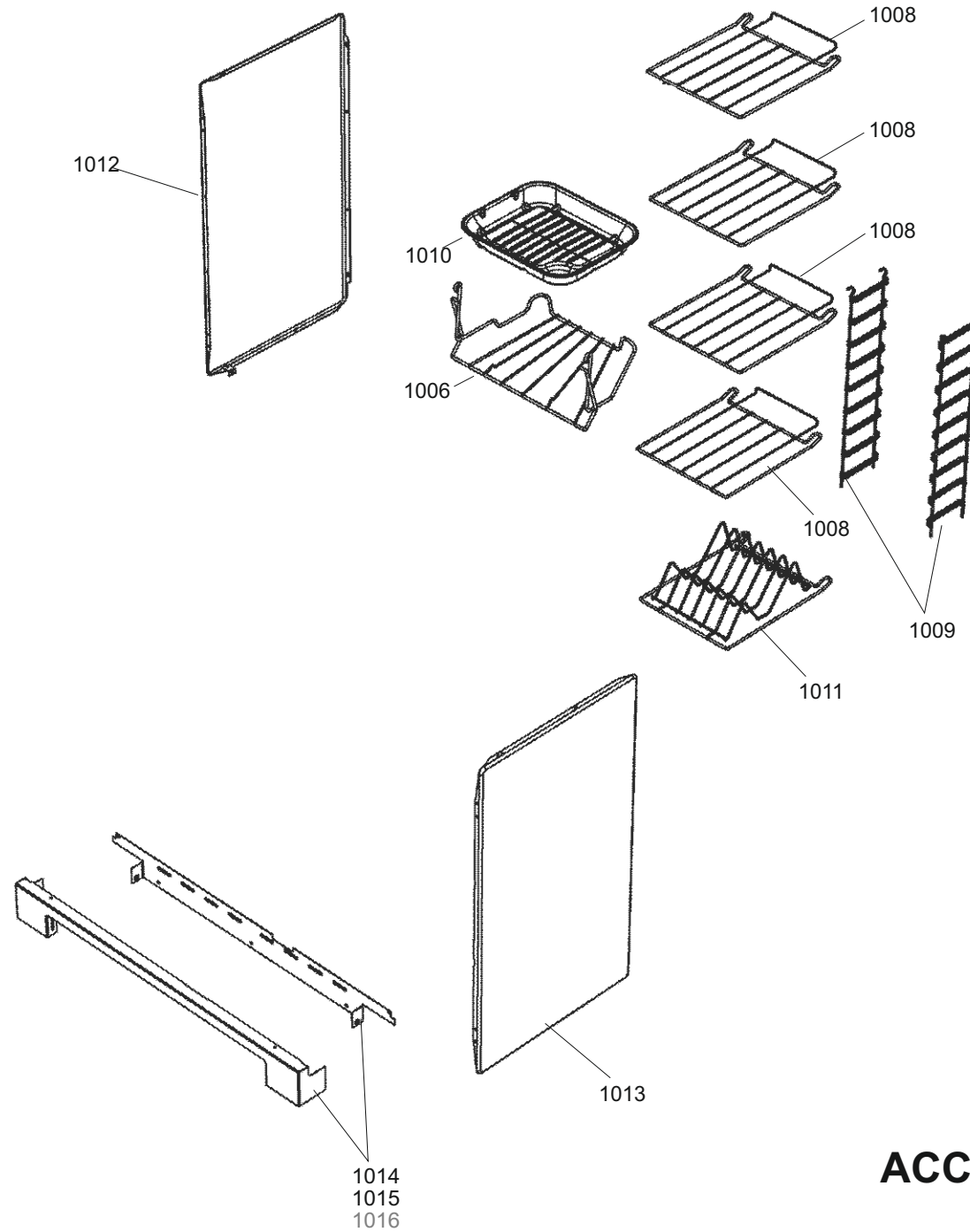


**RH OVEN DOOR AND INFILL**

ALL MODELS

DSL0759 P10

DATE 26.03.2019  
ISSUE STATUS 01



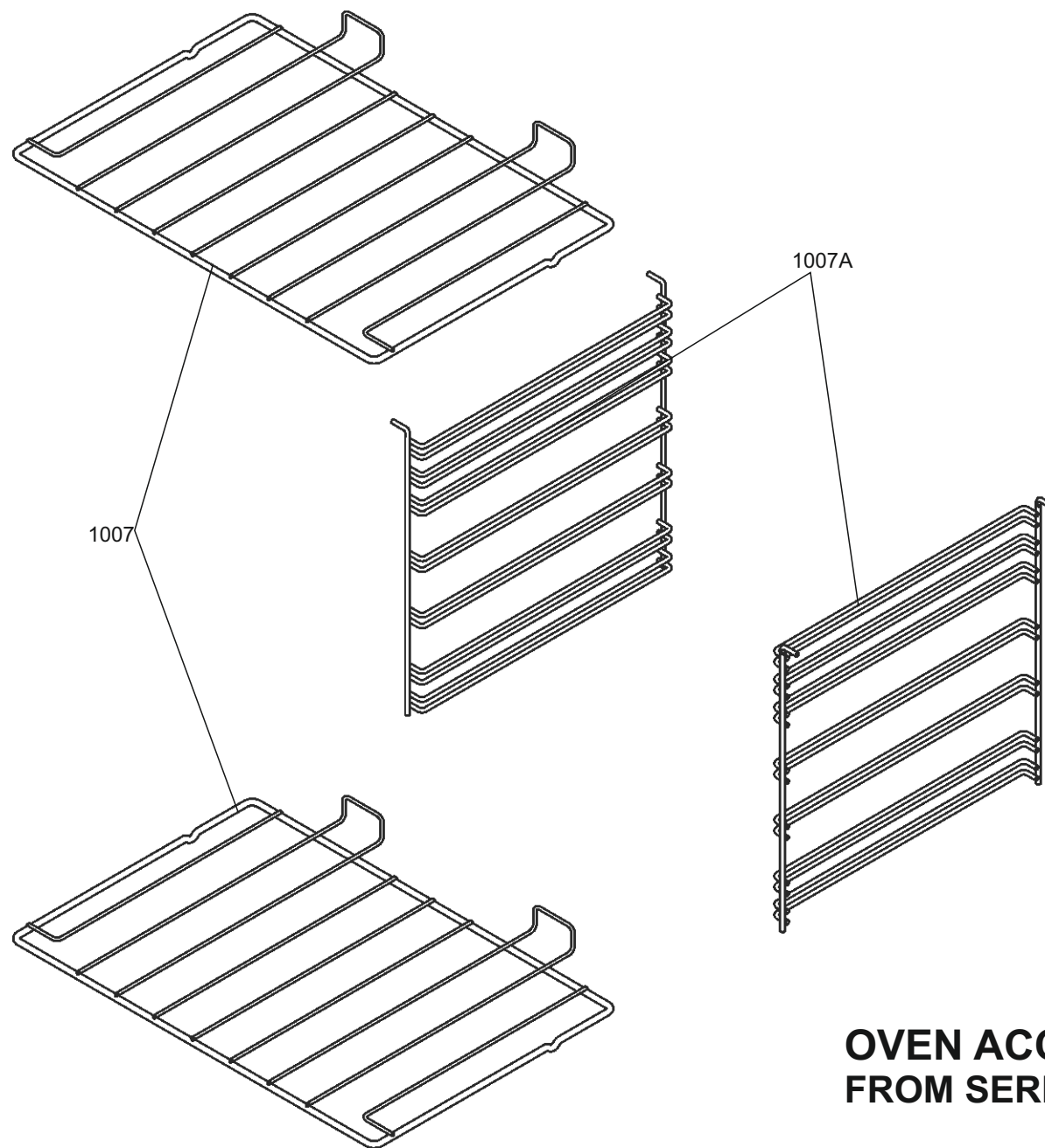
**ACCESSORIES**

# CLASSIC DELUXE 90 CERAMIC

## DSL0759 P10

DATE 26.03.2019

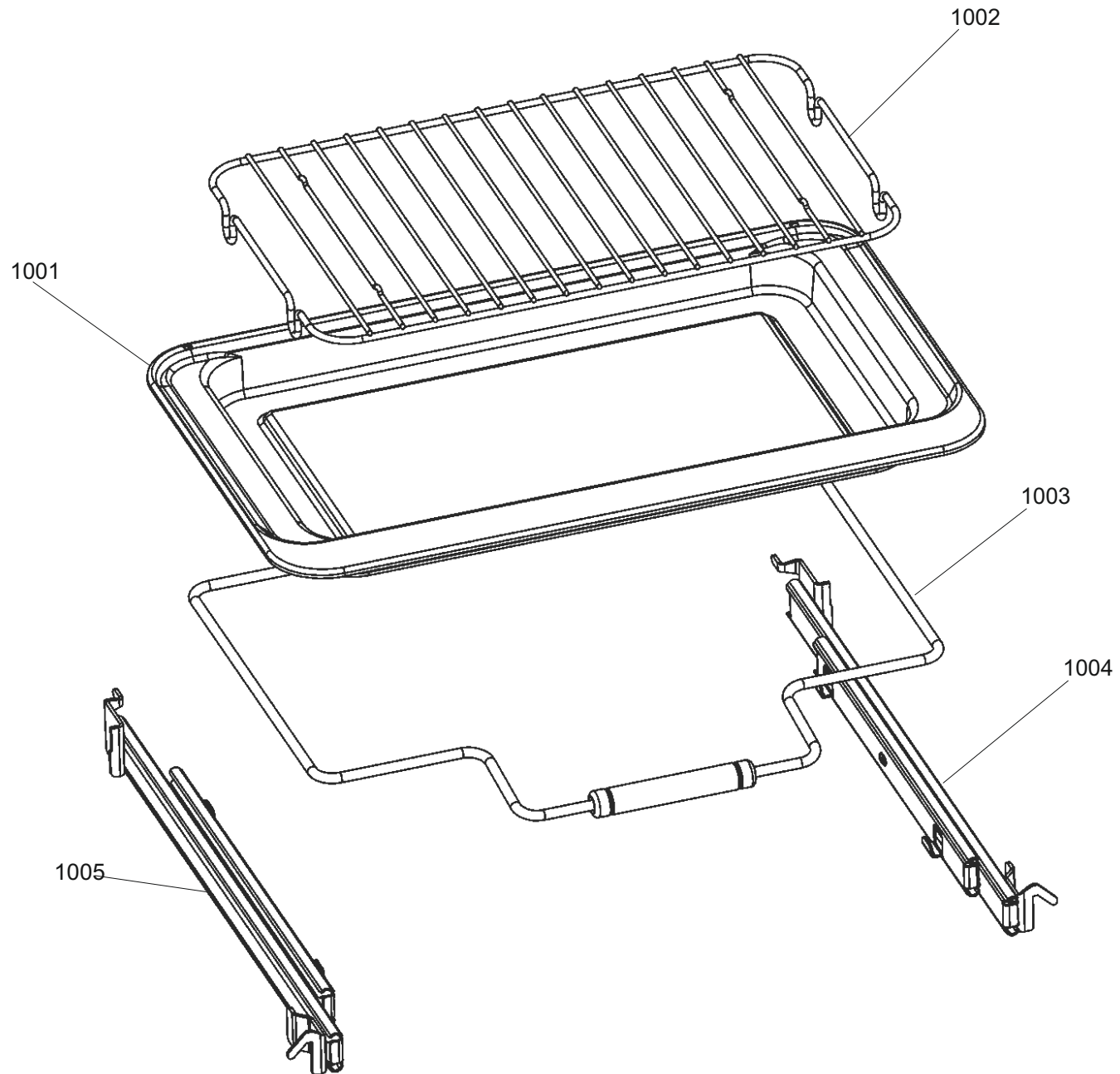
ISSUE STATUS 01



**OVEN ACCESSORIES  
FROM SERIAL NUMBER 203000**

ALL MODELS

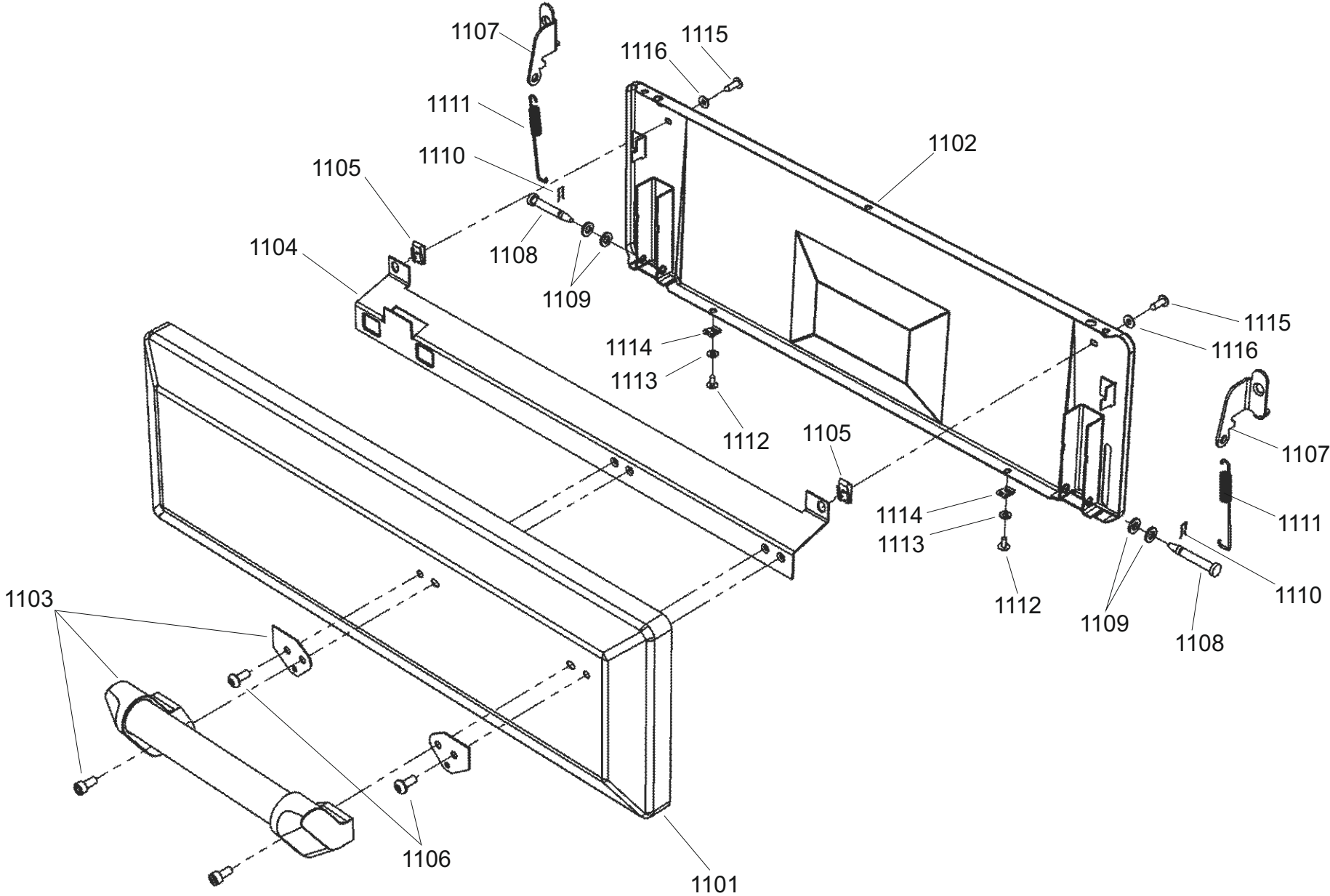
DSL0759 P10B  
DATE 26.03.2019 ISSUE STATUS 01



GRILL PAN

CLASSIC DELUXE 90 CERAMIC  
FROM SERIAL NUMBER: 203000

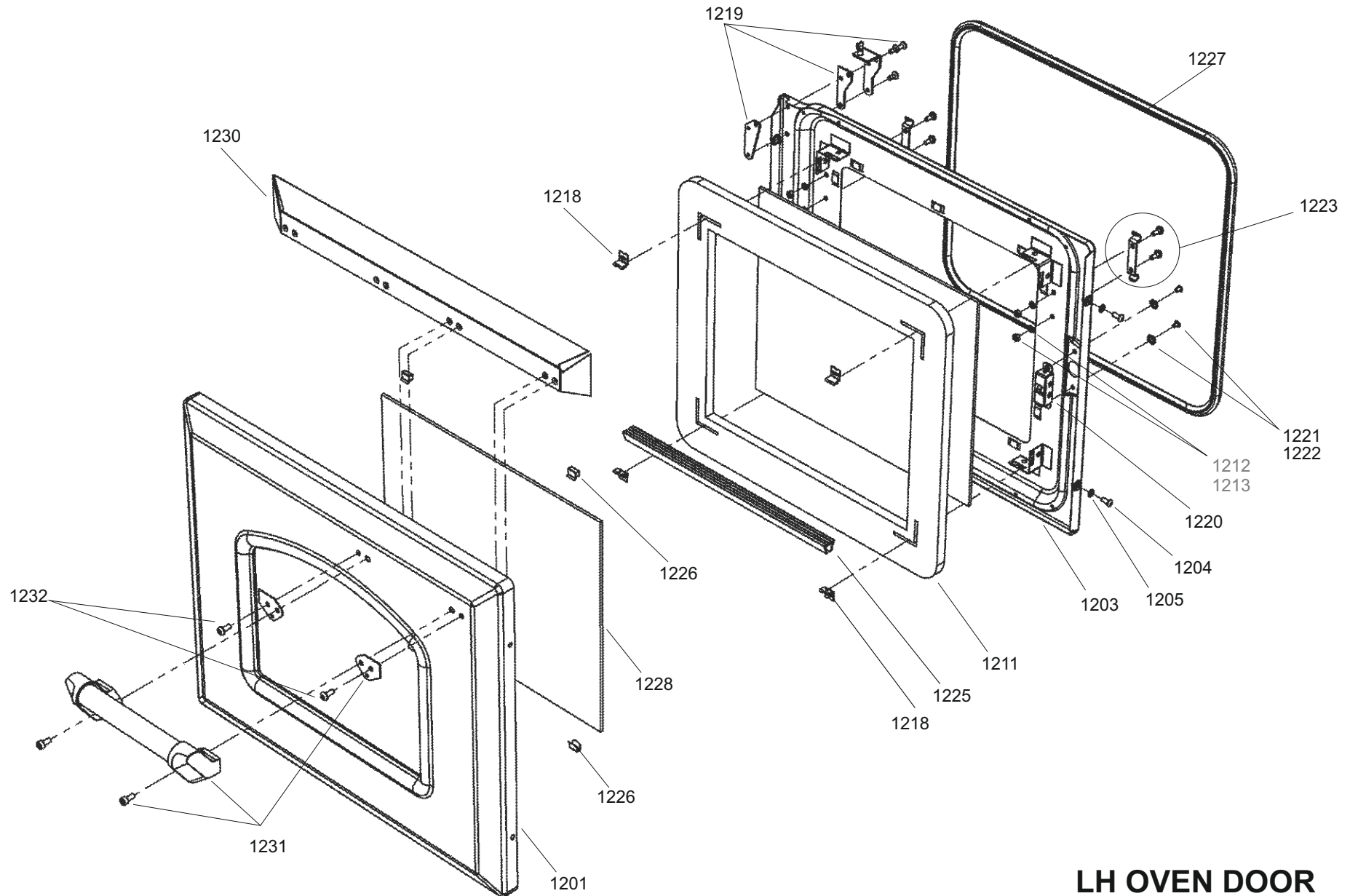
DSL0759 P11  
DATE 26.03.2019 ISSUE 01



**GRILL DOOR**

# CLASSIC DELUXE 90 CERAMIC

DSL0759 P12  
DATE 26.03.2019 ISSUE STATUS 01

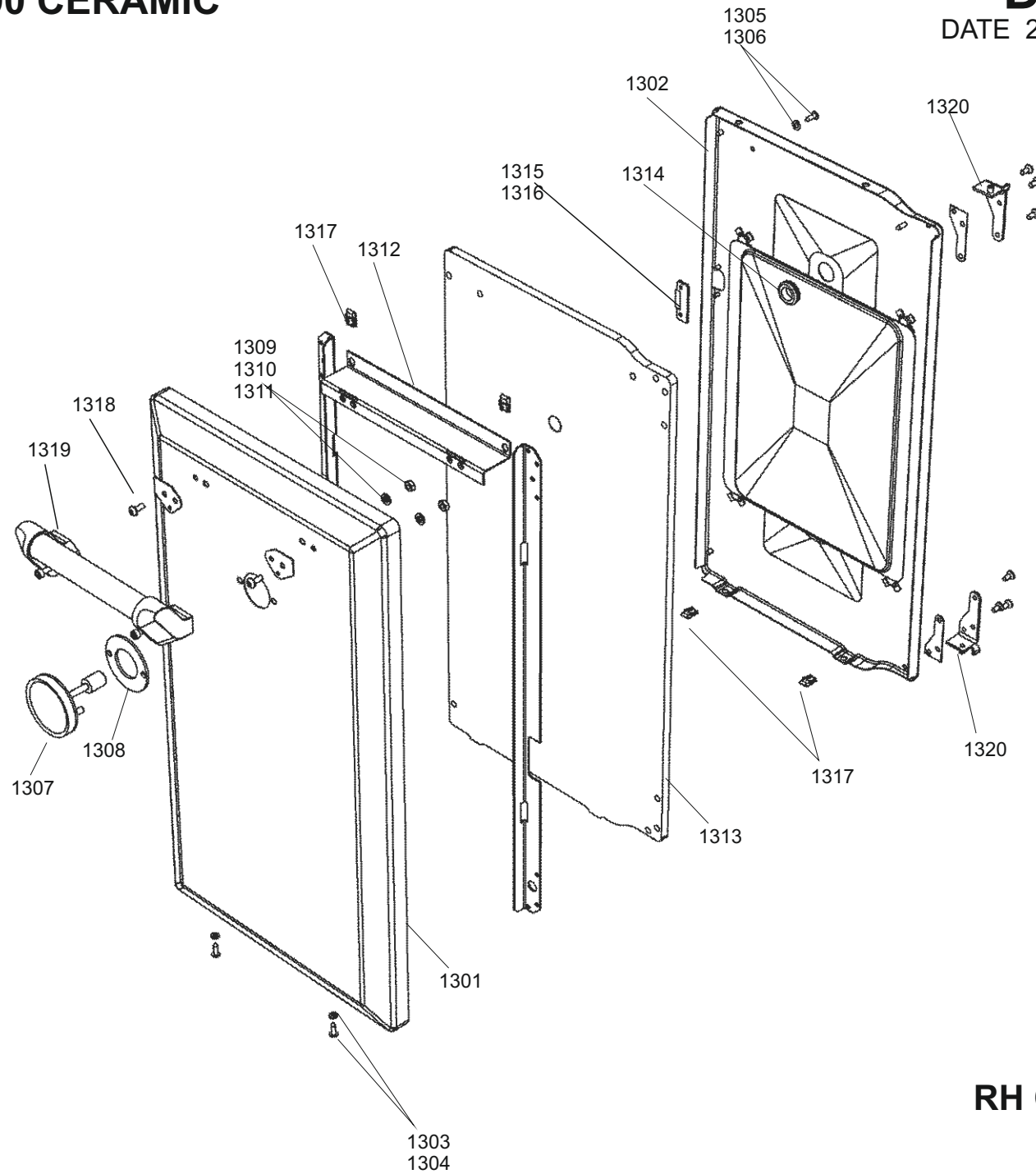


**LH OVEN DOOR**

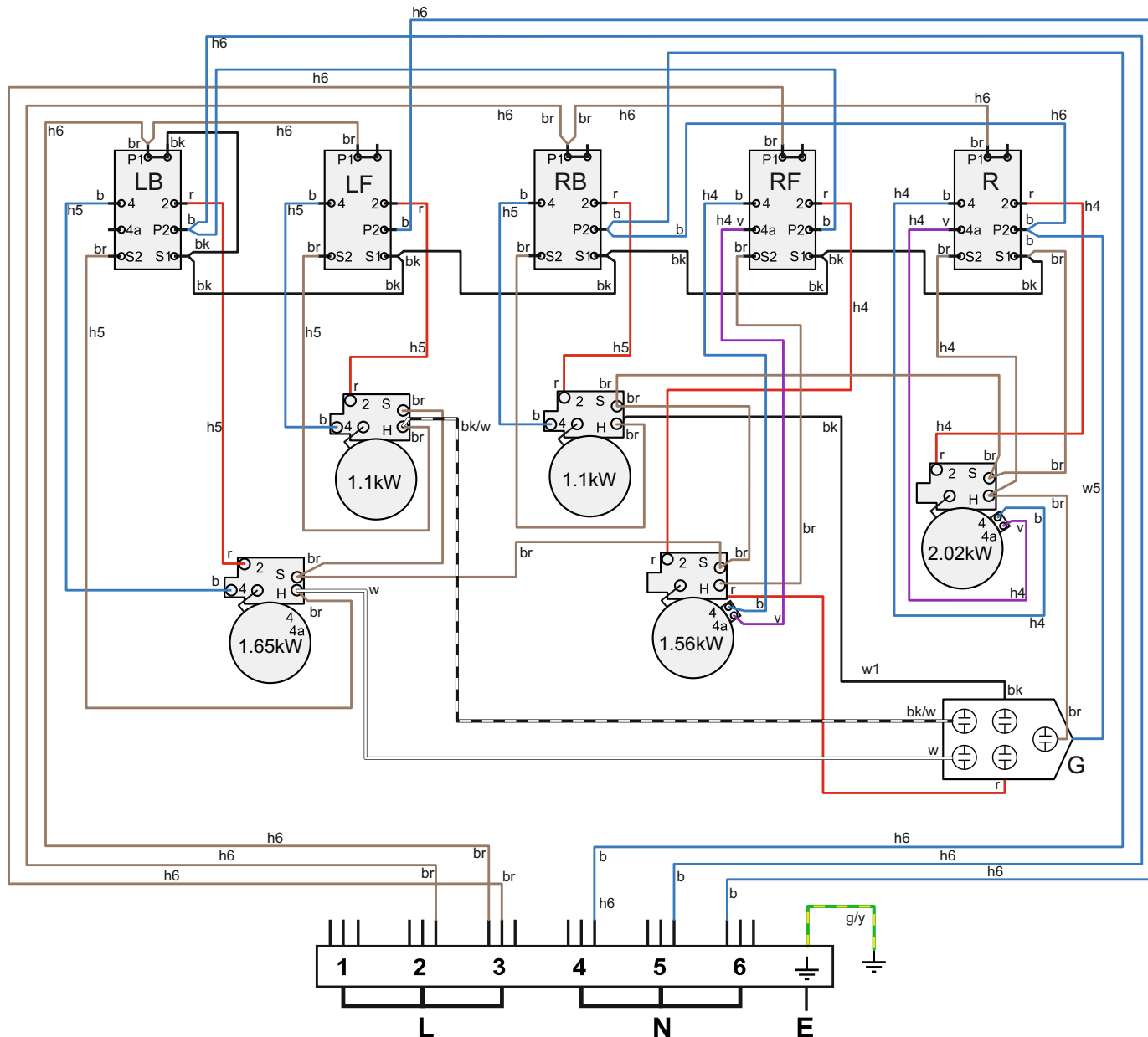
# CLASSIC DELUXE 90 CERAMIC

# DSL0759 P13

DATE 22.04.16 ISSUE STATUS 02

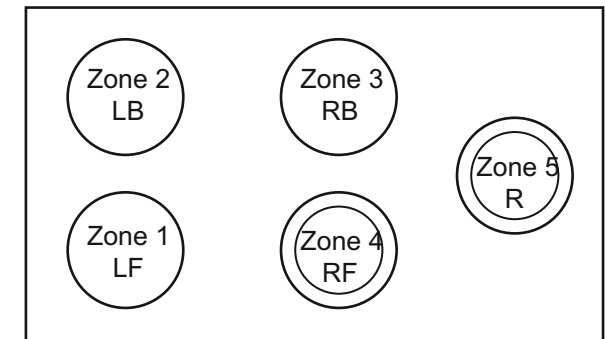


## RH OVEN DOOR

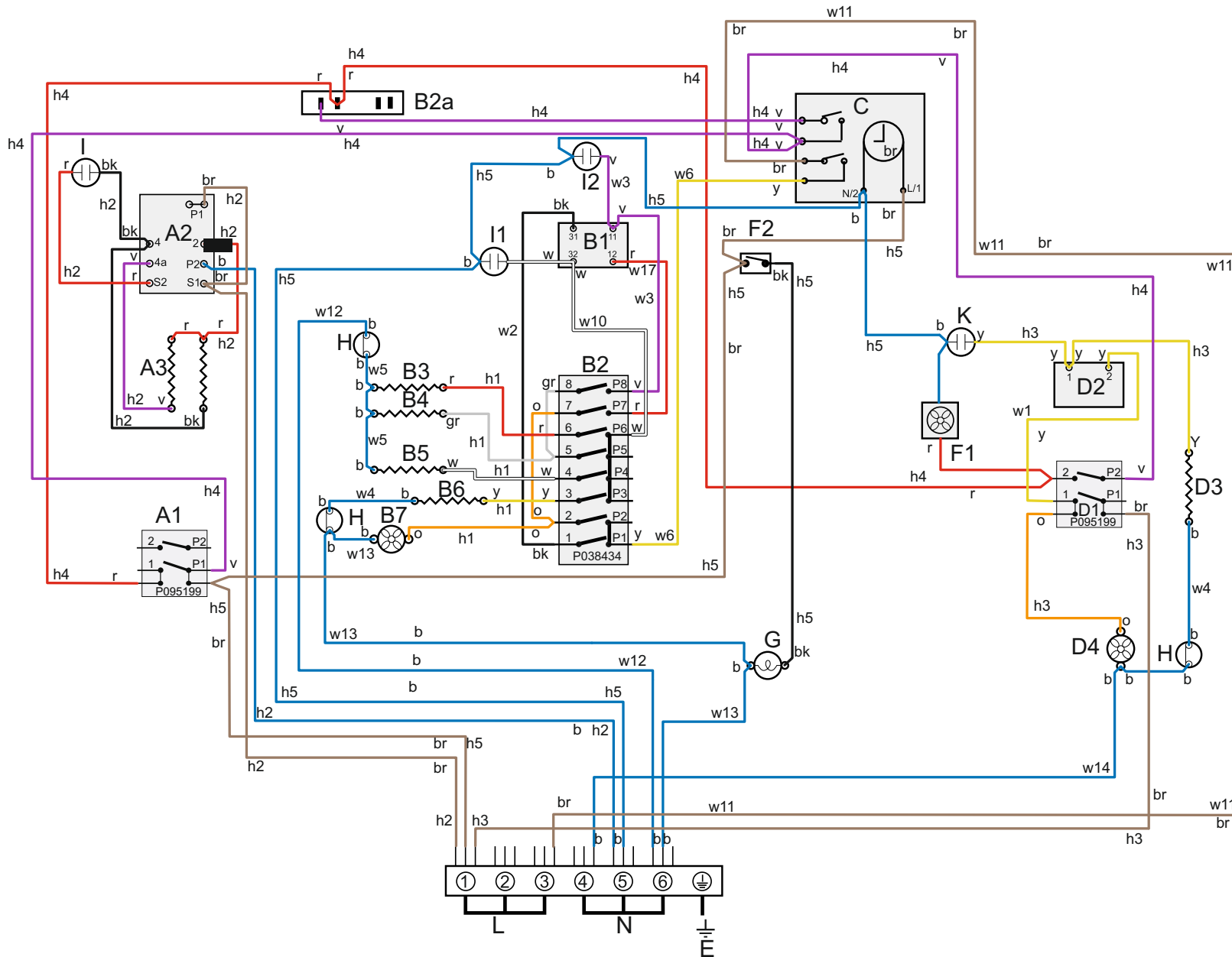


Code	Description
b	Blue
br	Brown
bk	Black
or	Orange
r	Red
v	Violet
w	White
y	Yellow
g/y	Green / Yellow

Code	Description
LB	Left Back Ceramic Zone Control
LF	Left Front Ceramic Zone Control
RB	Right Back Ceramic Zone Control
RF	Right Front Ceramic Zone Control
R	Right Ceramic Zone Control
G	Hob Neons







Code	Description
A1	Grill Front Switch
A2	Grill Energy Controller
A3	Left Hand Grill Elements
A4	Right Hand Grill Elements
B1	Left Hand Oven Thermostat
B2	Left Hand Oven Control
B2a	Left Hand Oven Thermostat Front
B3	Left Hand Oven Base Element
B4	Left Hand Oven Top Outer Element
B5	Left Hand Oven Top Inner Element
B6	Left Hand Oven Fan Element
B7	Left Hand Oven Fan
C	Clock / Timer
D1	Right Hand Oven Fan Thermostat
D2	Right Hand Oven Fan Control
D3	Right Hand Oven Fan Element
D4	Right Hand Oven Fan
F1	Cooling Fan
F2	Oven Light Switch
G	Oven Lights
H	Thermal Cut-Out
I	Grill Neon
I1	Left Hand Oven Neon
I2	Rapid Heat-up Neon
K	Right Hand Neon

Cod	Description
b	Blue
br	Brown
bk	Black
or	Orange
r	Red
v	Violet
w	White
y	Yellow
g/y	Green /

**WIRING DIAGRAM**