

APPLIANCE NAME: ALL MODELS  
FALCON CLASSIC DL 90 CERAMIC

DATE 24.11.06

**DSL0326 P00**

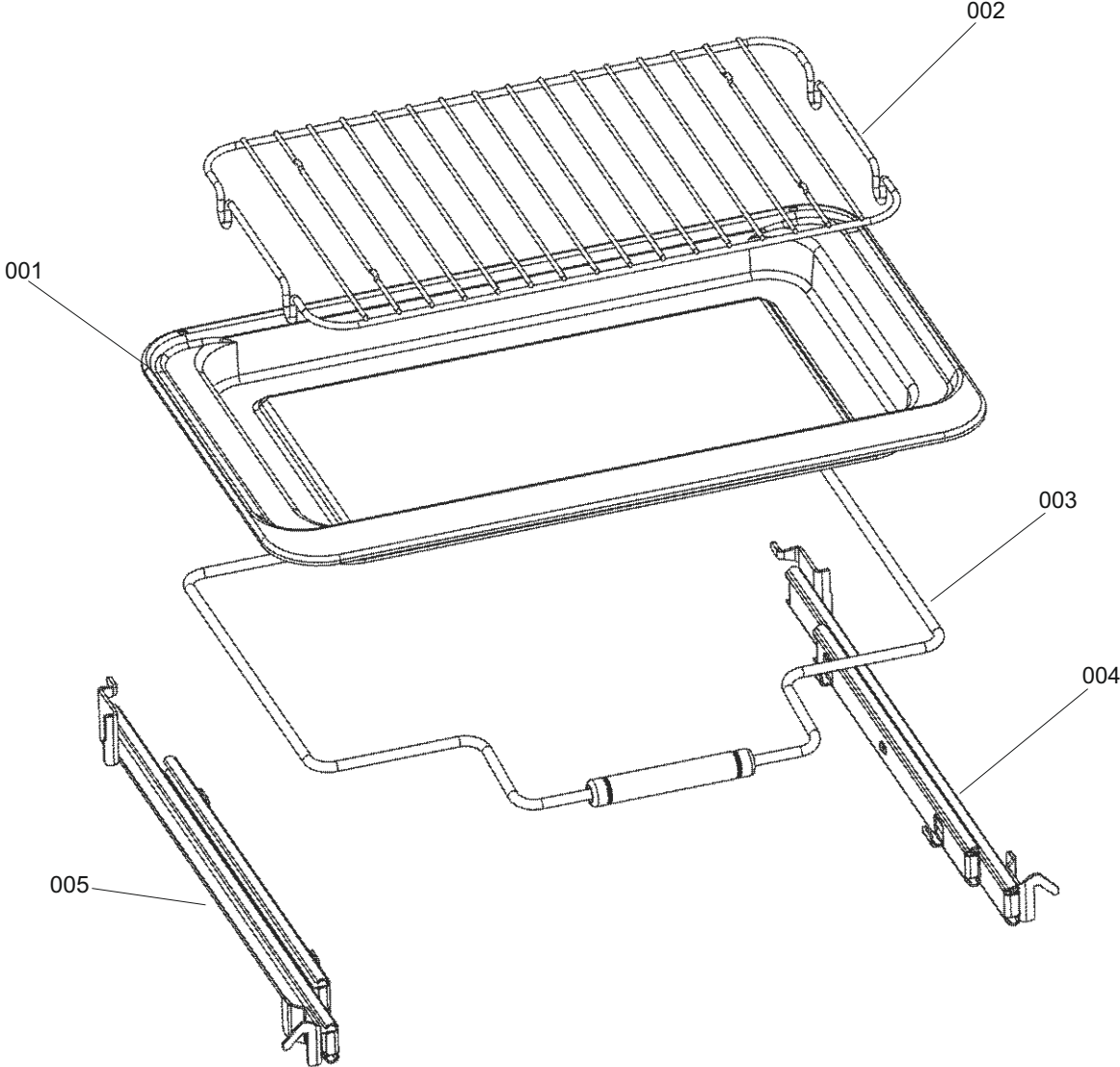
ISSUE STATUS 01



ALL MODELS

DSL0326 P01

DATE 22.11.06 ISSUE STATUS 01



GRILL PAN

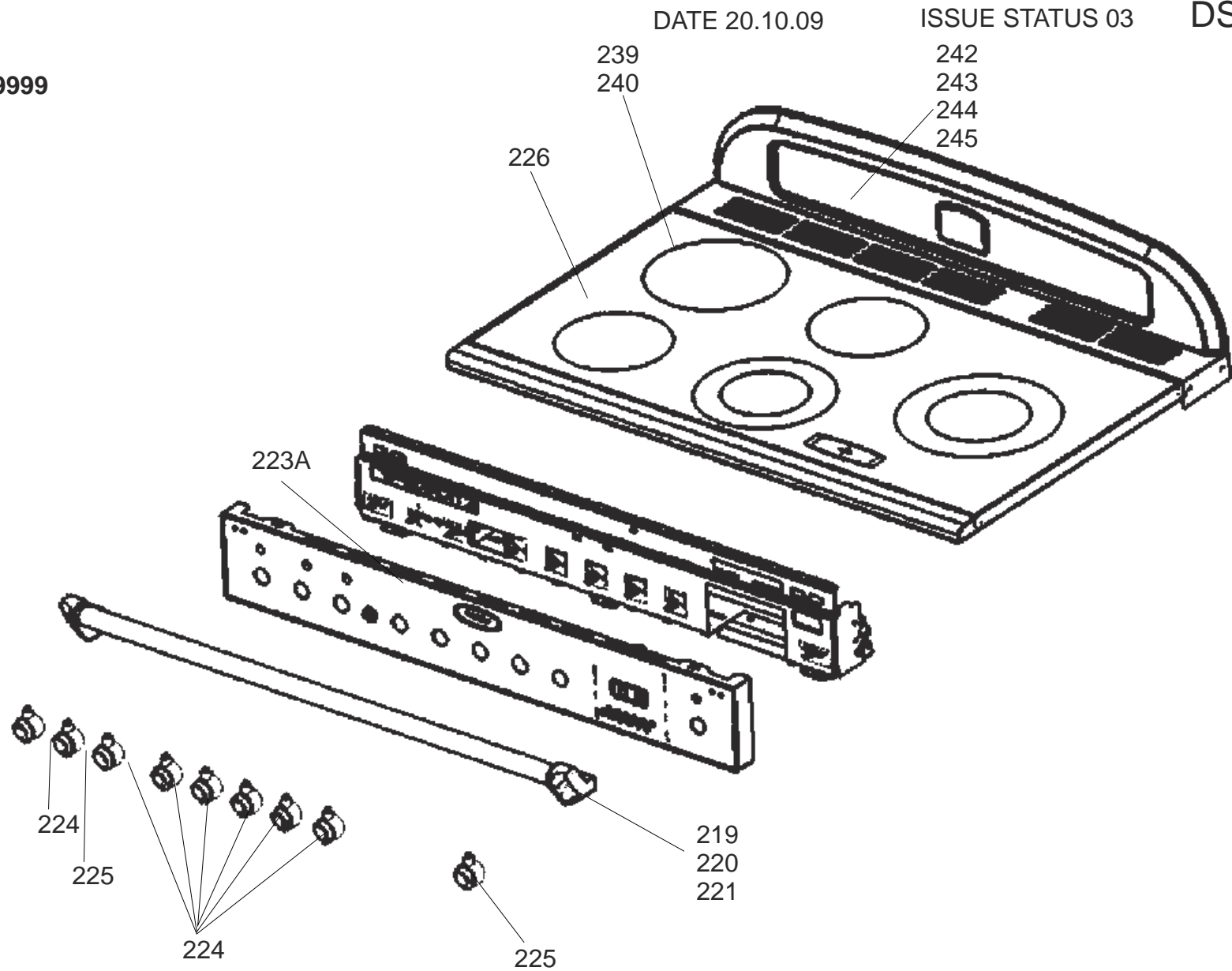
ALL MODELS

UP TO SER No 149999

DATE 20.10.09

ISSUE STATUS 03

DSL0326 P02



## HOB AND CERAMIC ASSEMBLY

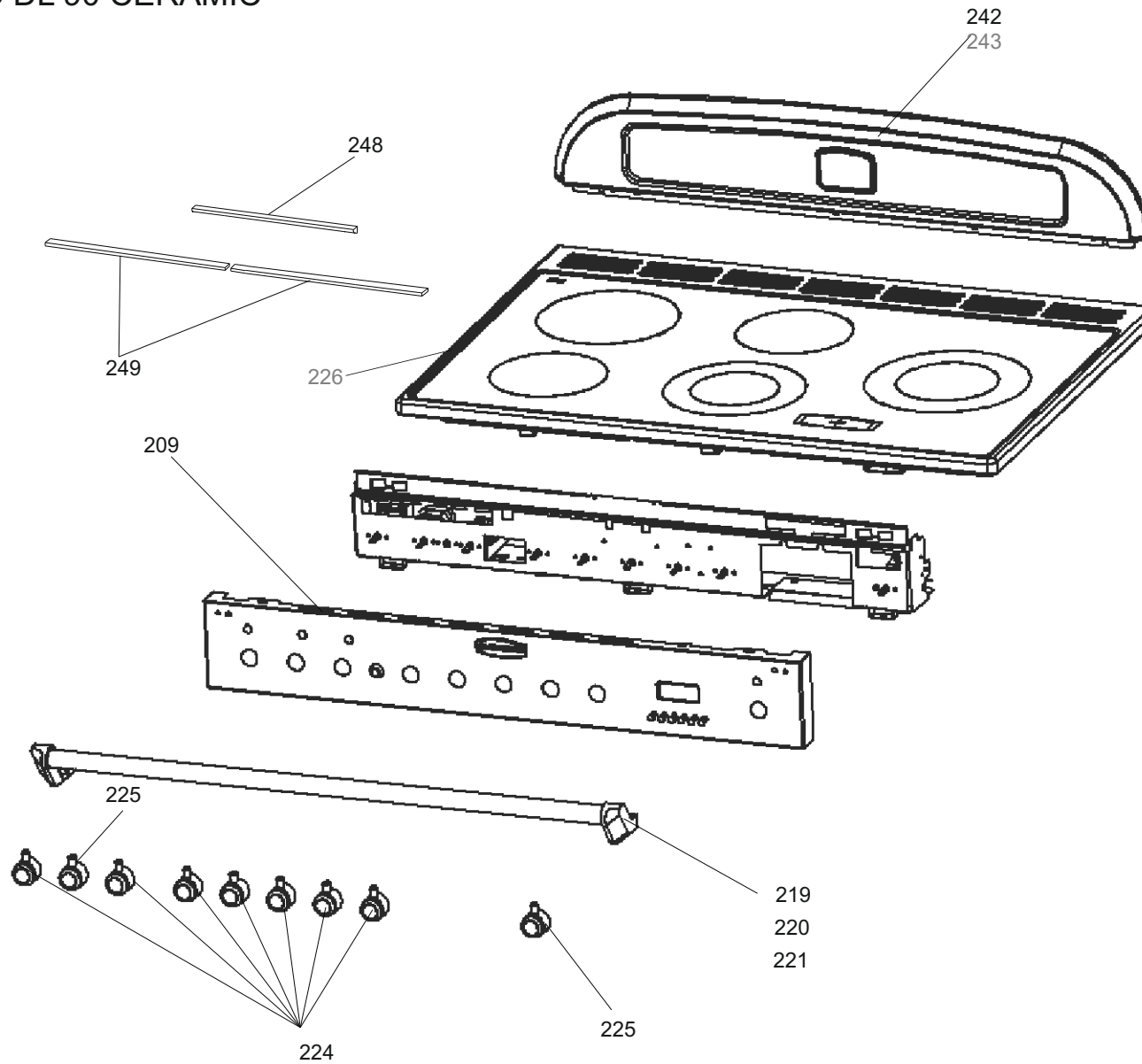
ALL FALCON CLASSIC DL 90 CERAMIC

FROM SER No 150000

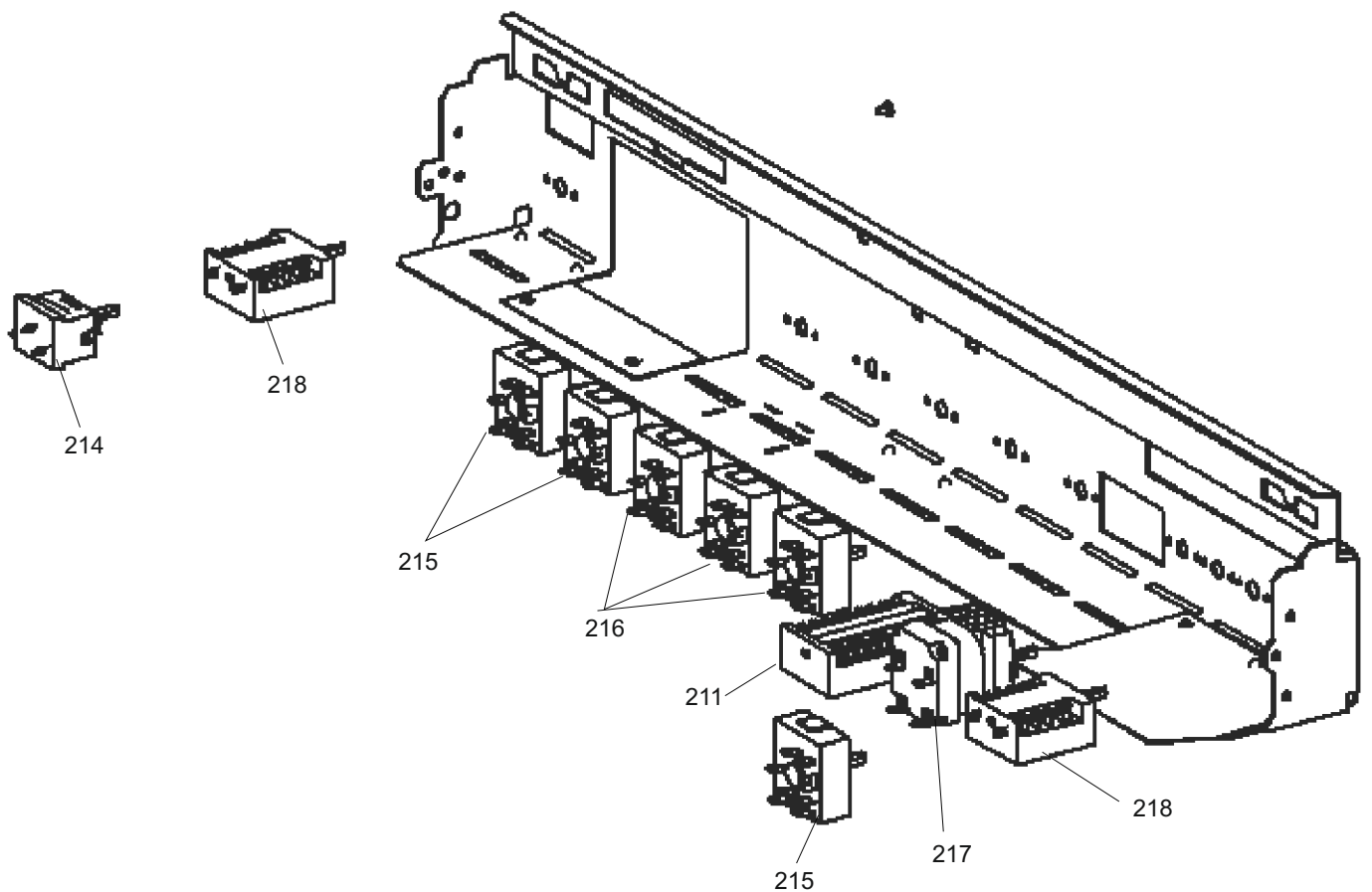
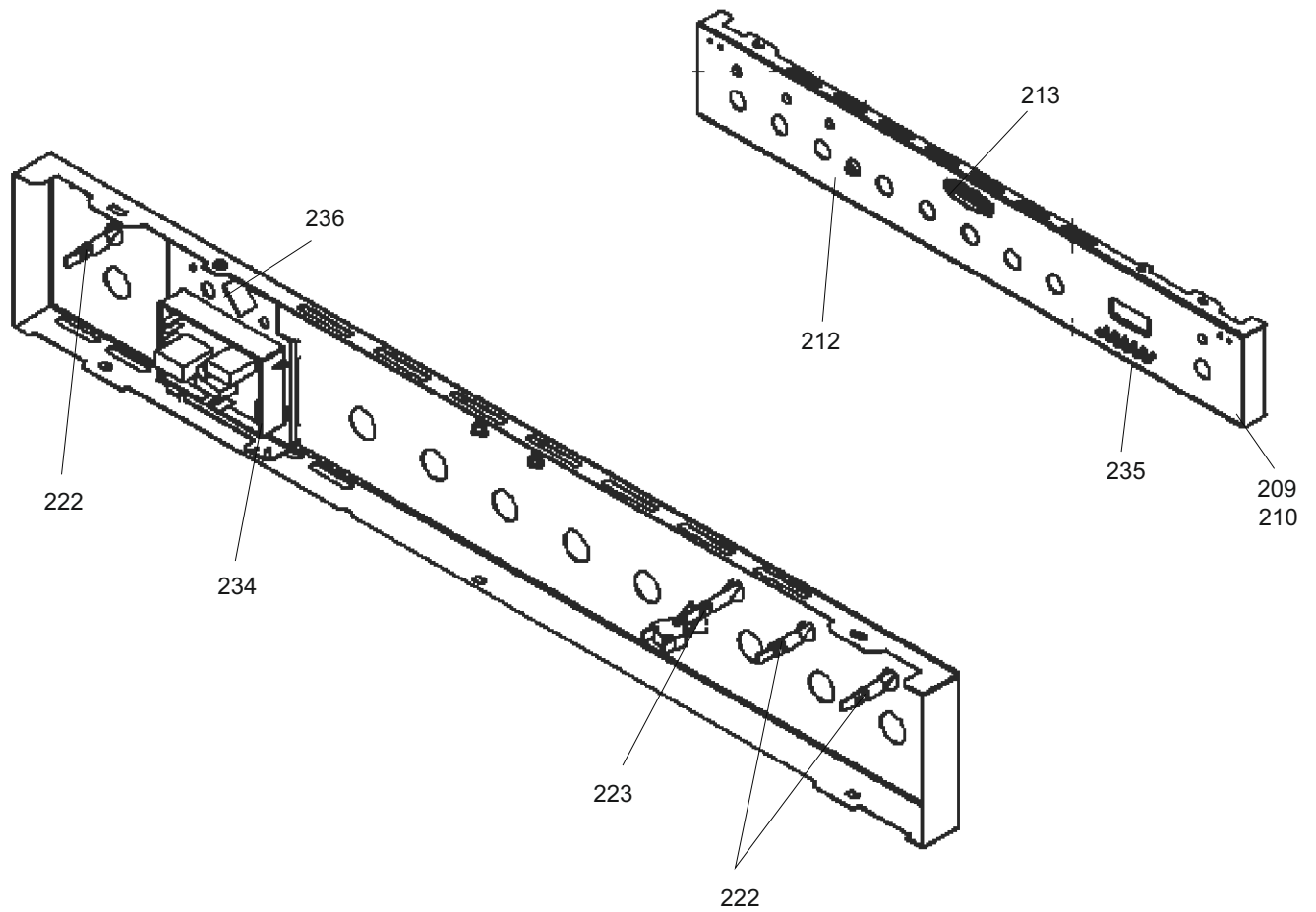
DSL0326 P02A

DATE 20.10.09

ISSUE STATUS 01



**HOB AND CERAMIC ASSEMBLY**



**CONTROL ASSEMBLY**

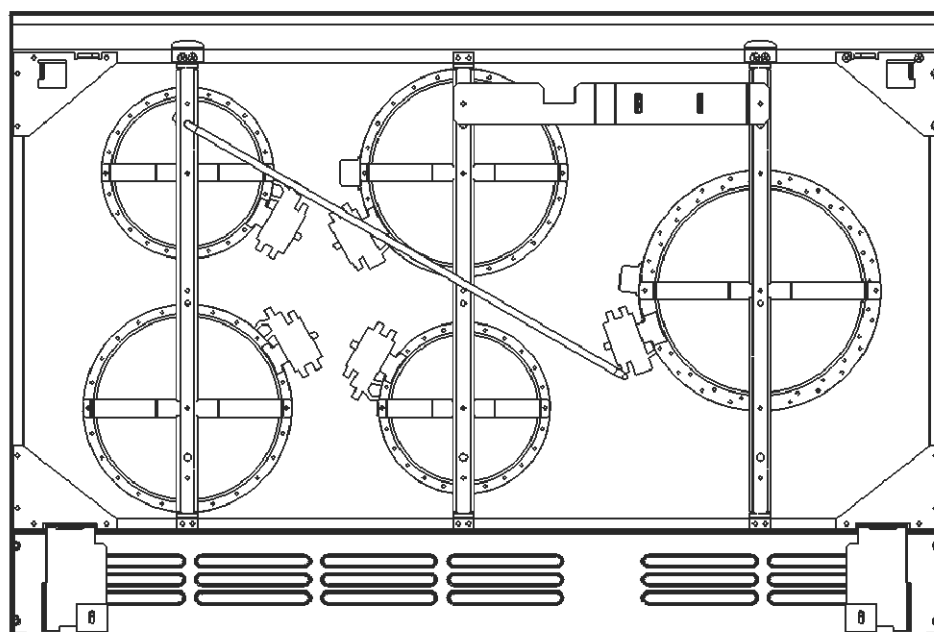
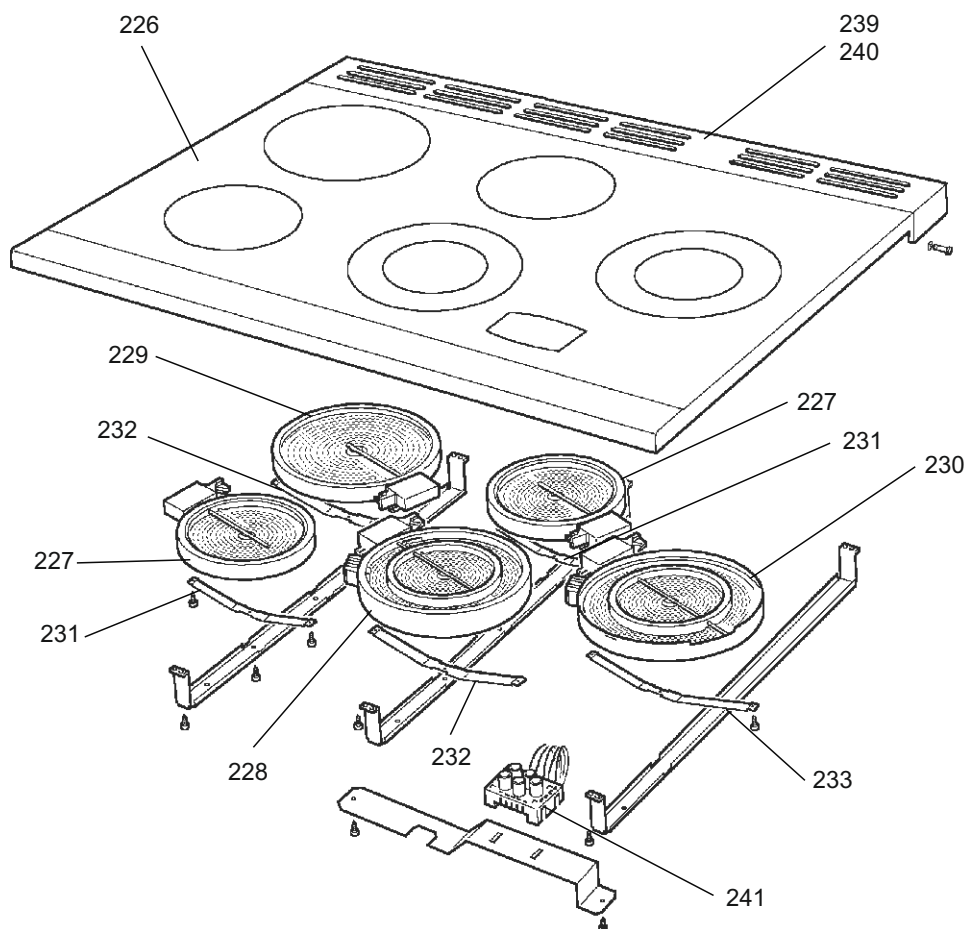
ALL MODELS

UP TO SER No 149999

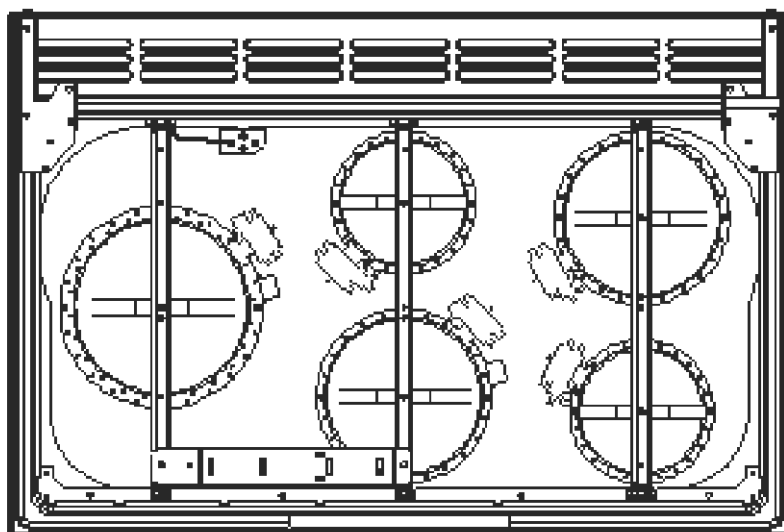
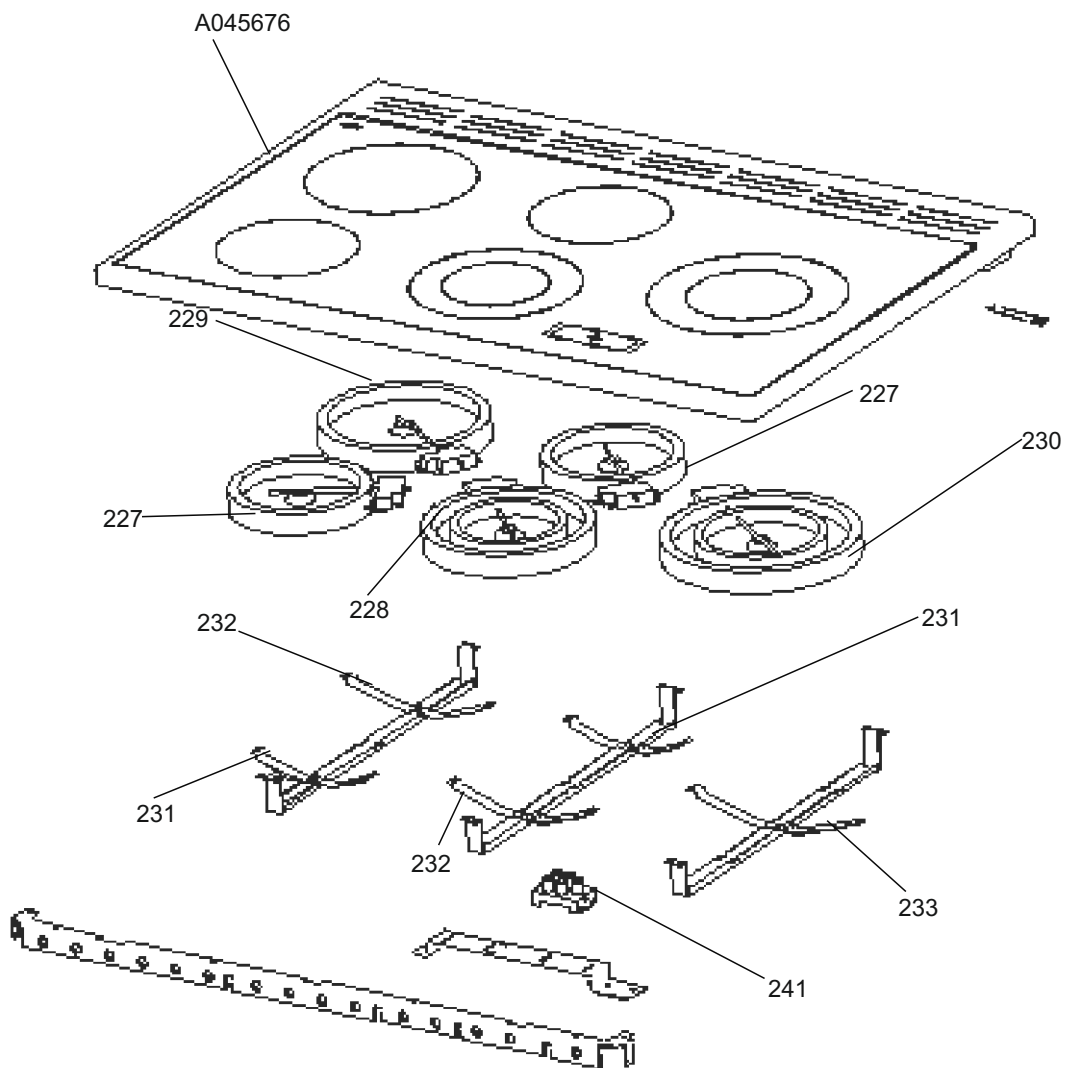
DATE 20.10.09

DSL0326 P04

ISSUE STATUS 02

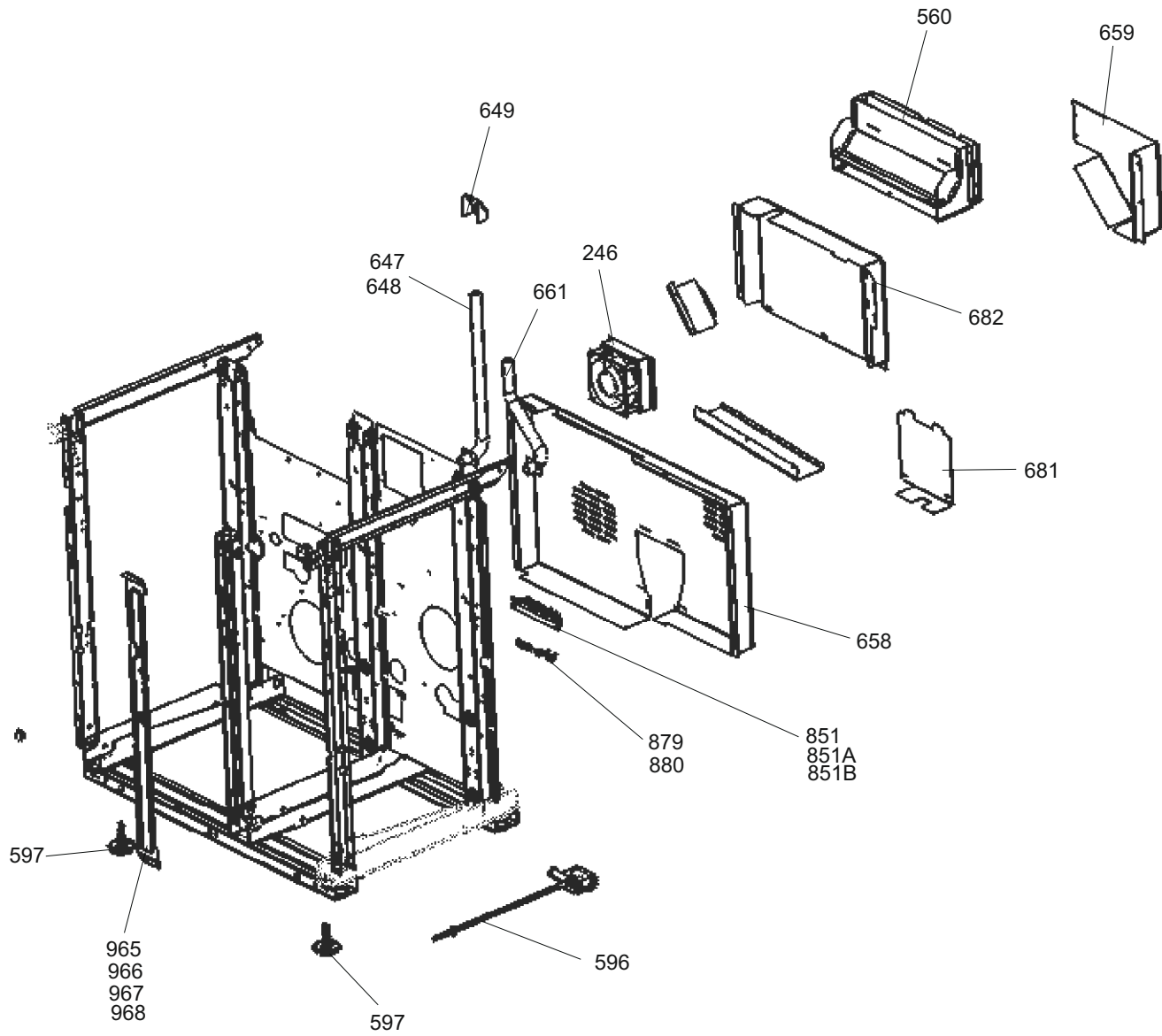


## HOB AND CERAMIC ASSEMBLY



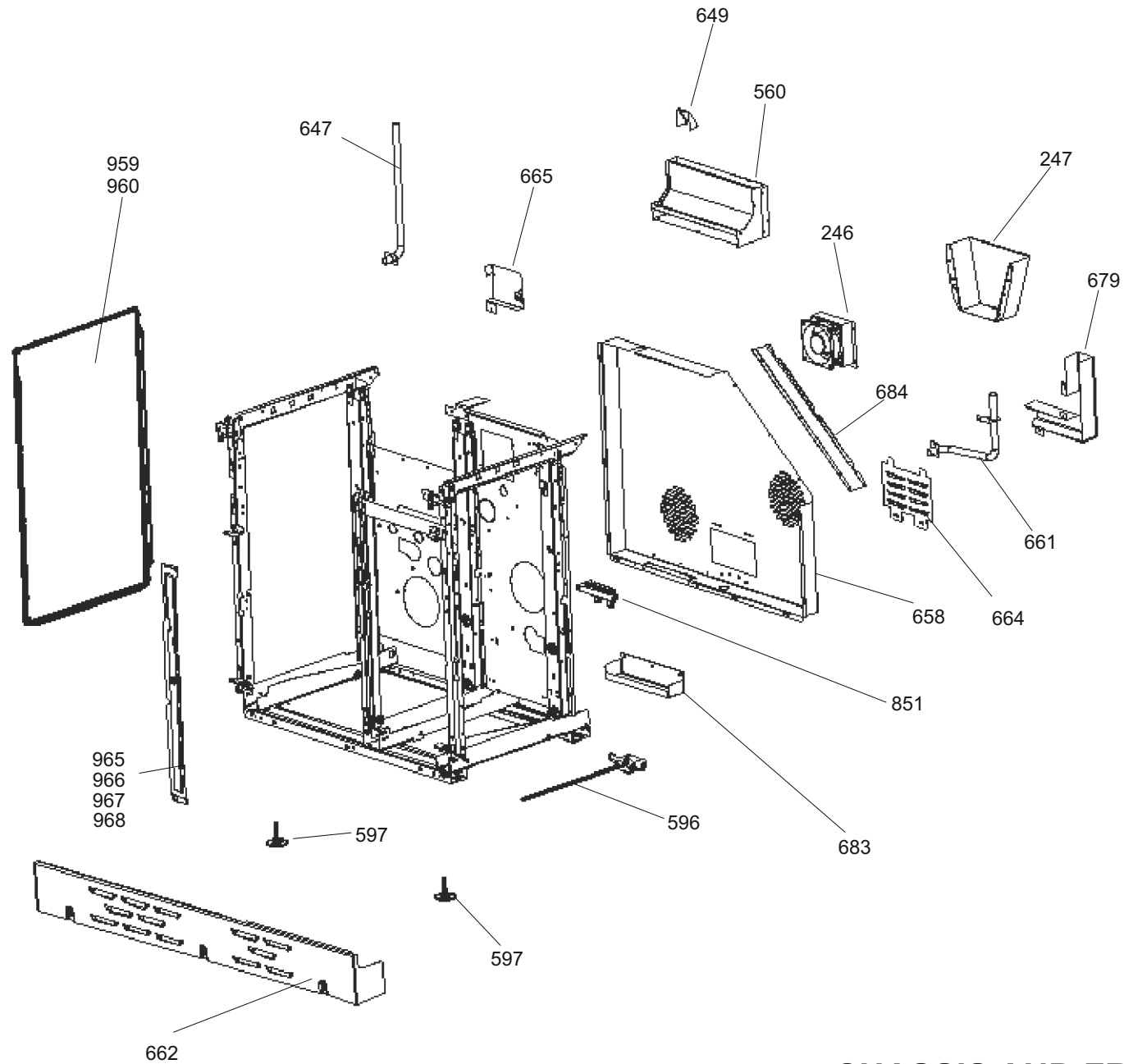
**HOB AND CERAMIC ASSEMBLY**

UP TO SER No 149999



**CHASSIS AND FRAME ASSEMBLY**

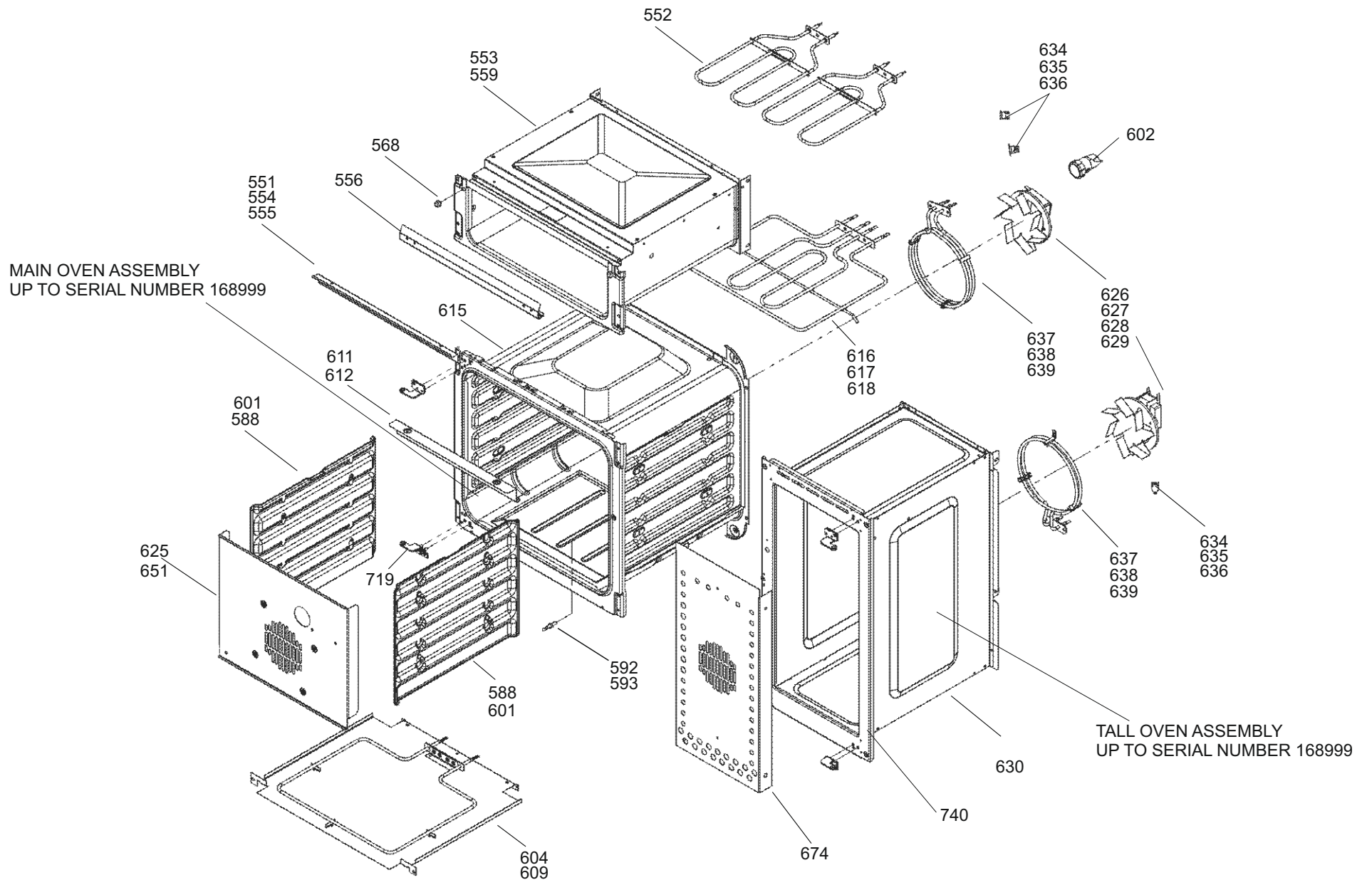




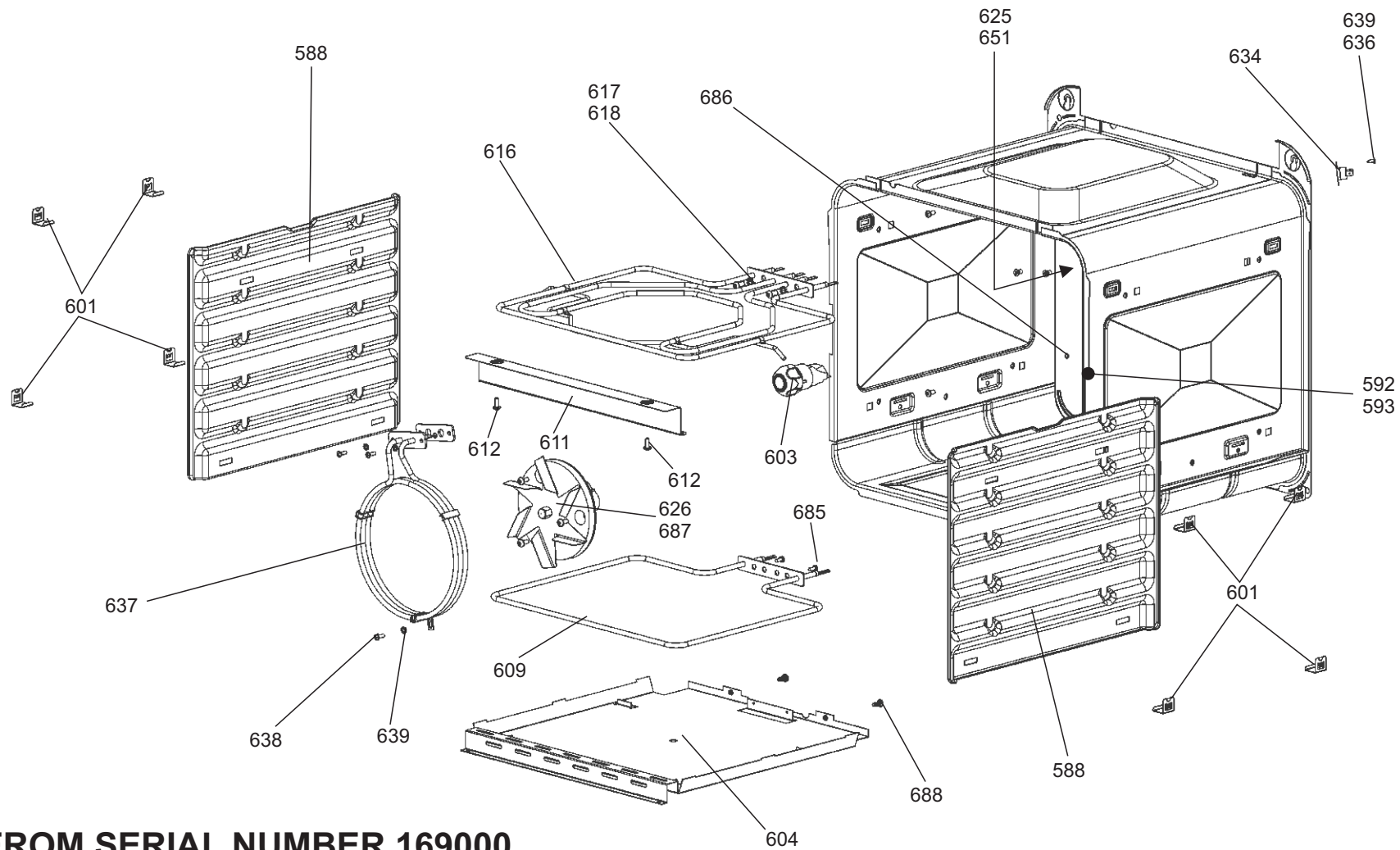
**CHASSIS AND FRAME ASSEMBLY**

# CLASSIC DL 90 CERAMIC

**DSL0326 P06**  
DATE 26.04.16 ISSUE STATUS 02

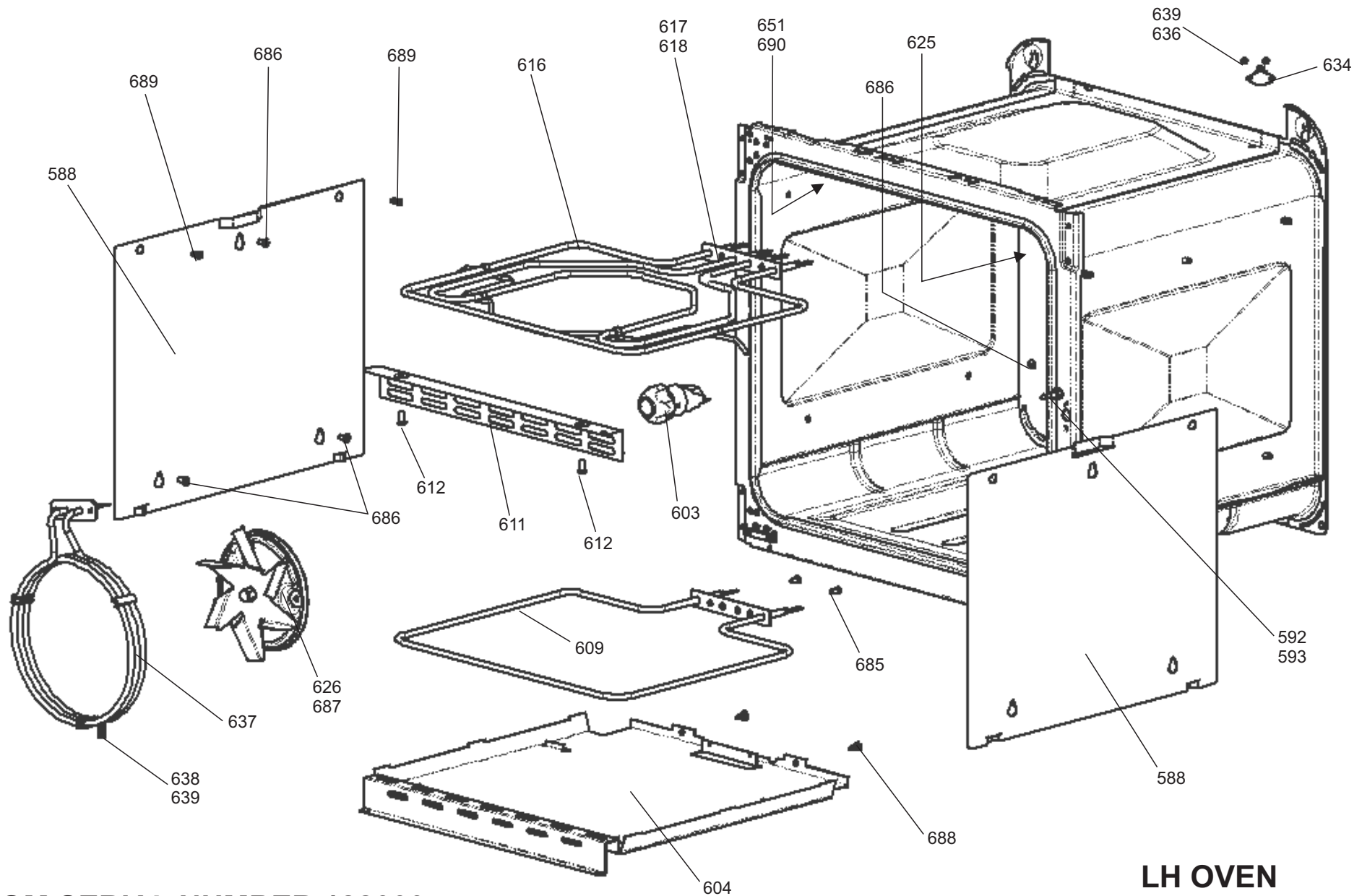


**LH OVEN - RH OVEN AND GRILL CHAMBER**



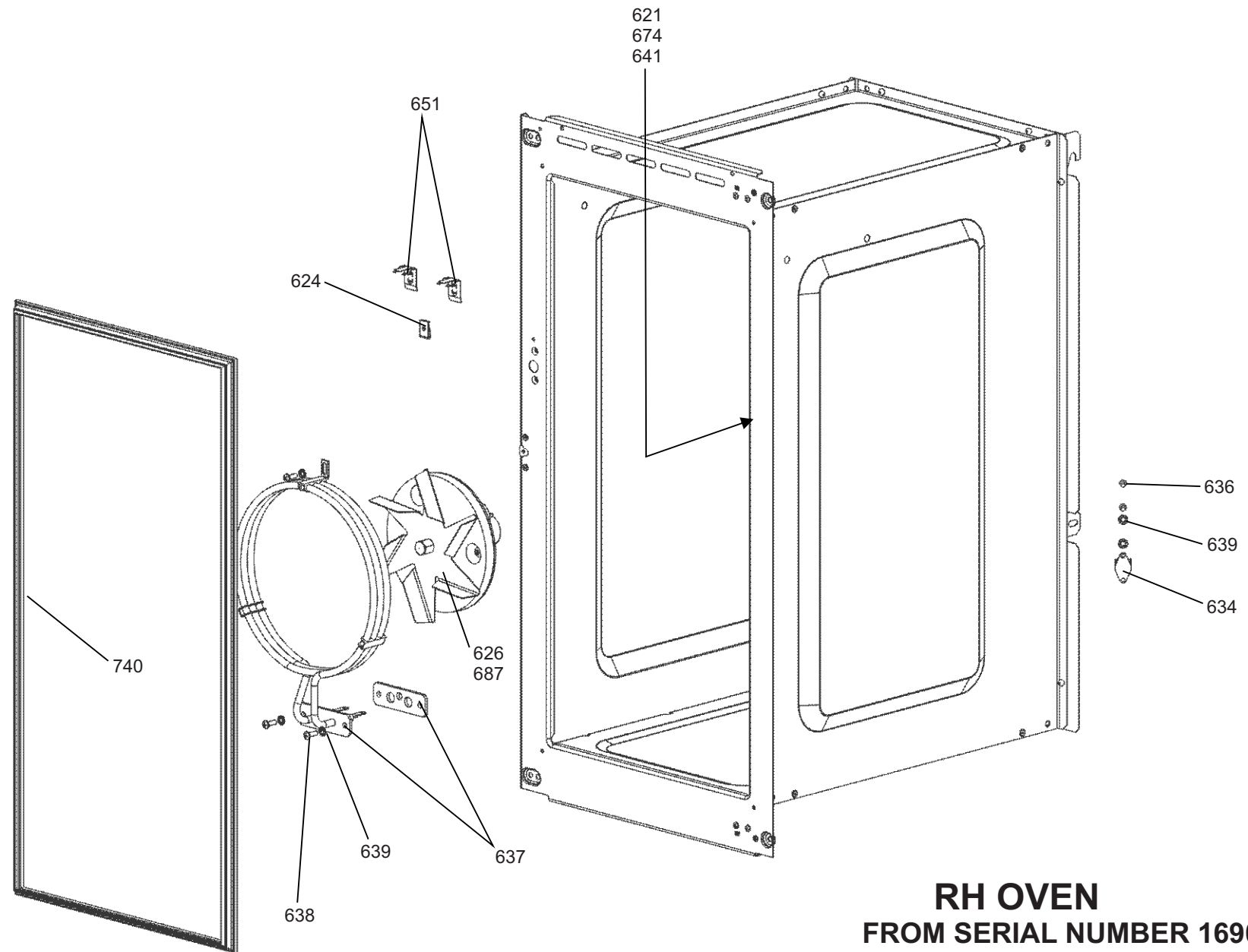
**FROM SERIAL NUMBER 169000  
UP TO SERIAL NUMBER 181999**

**LH OVEN**



FROM SERIAL NUMBER 182000

LH OVEN

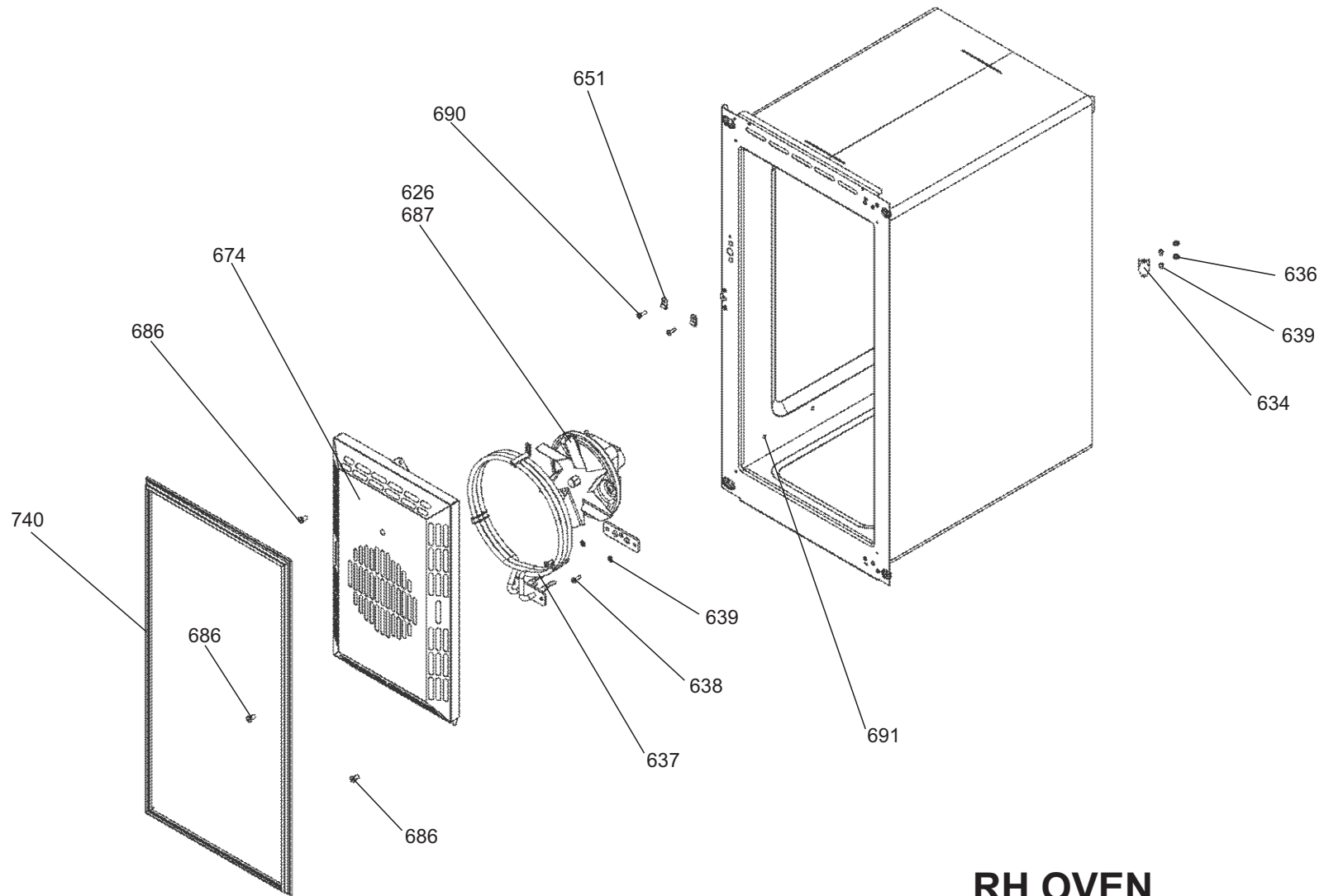


**RH OVEN**  
**FROM SERIAL NUMBER 169000**  
**UP TO SERIAL NUMBER 179999**

# CLASSIC DL 90 CERAMIC

DATE 26.04.16 ISSUE 01

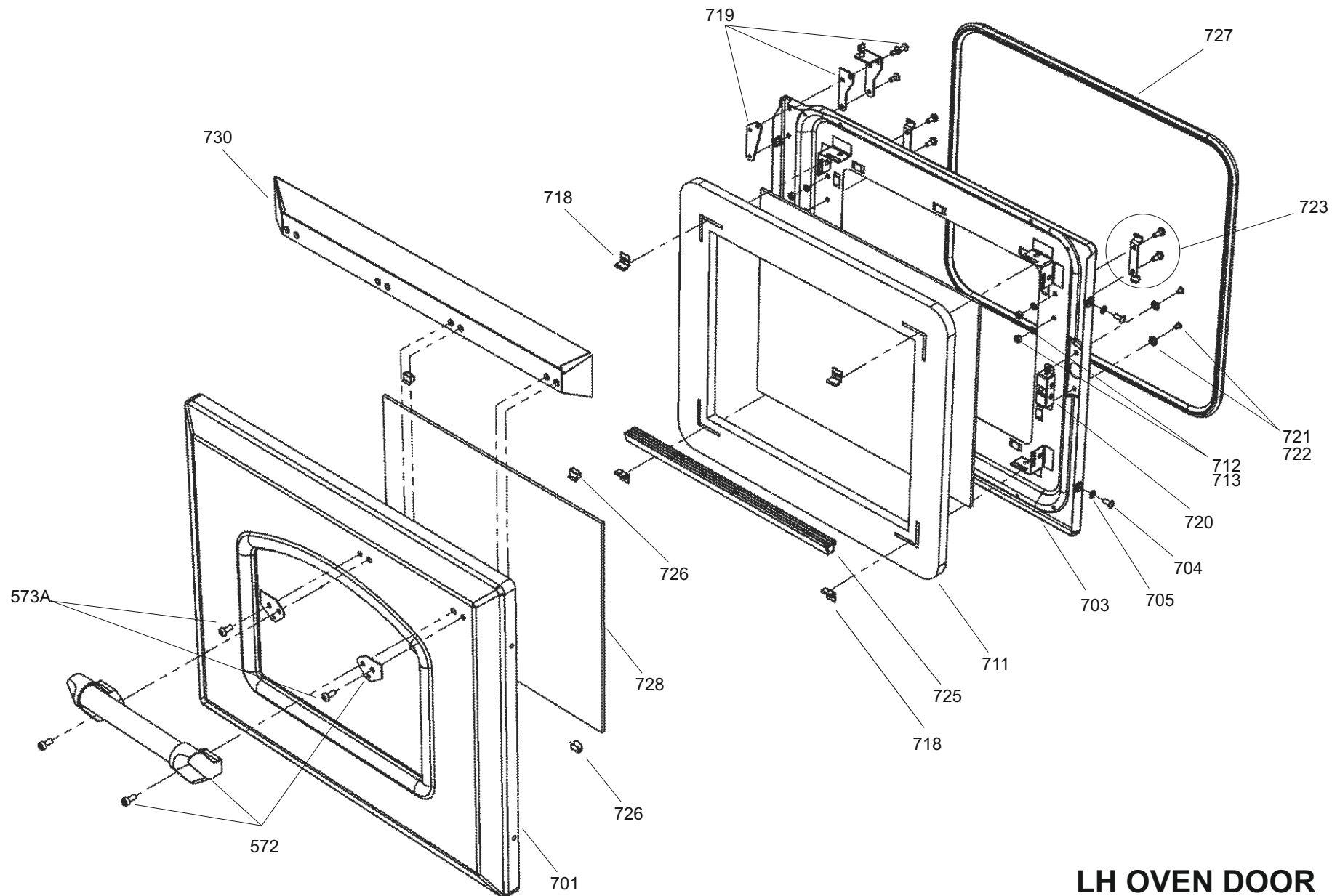
# DSL0326 P06D



**RH OVEN**  
**FROM SERIAL NUMBER 180000**

ALL MODELS

DSL0326 P07  
DATE 22.11.06 ISSUE STATUS 01



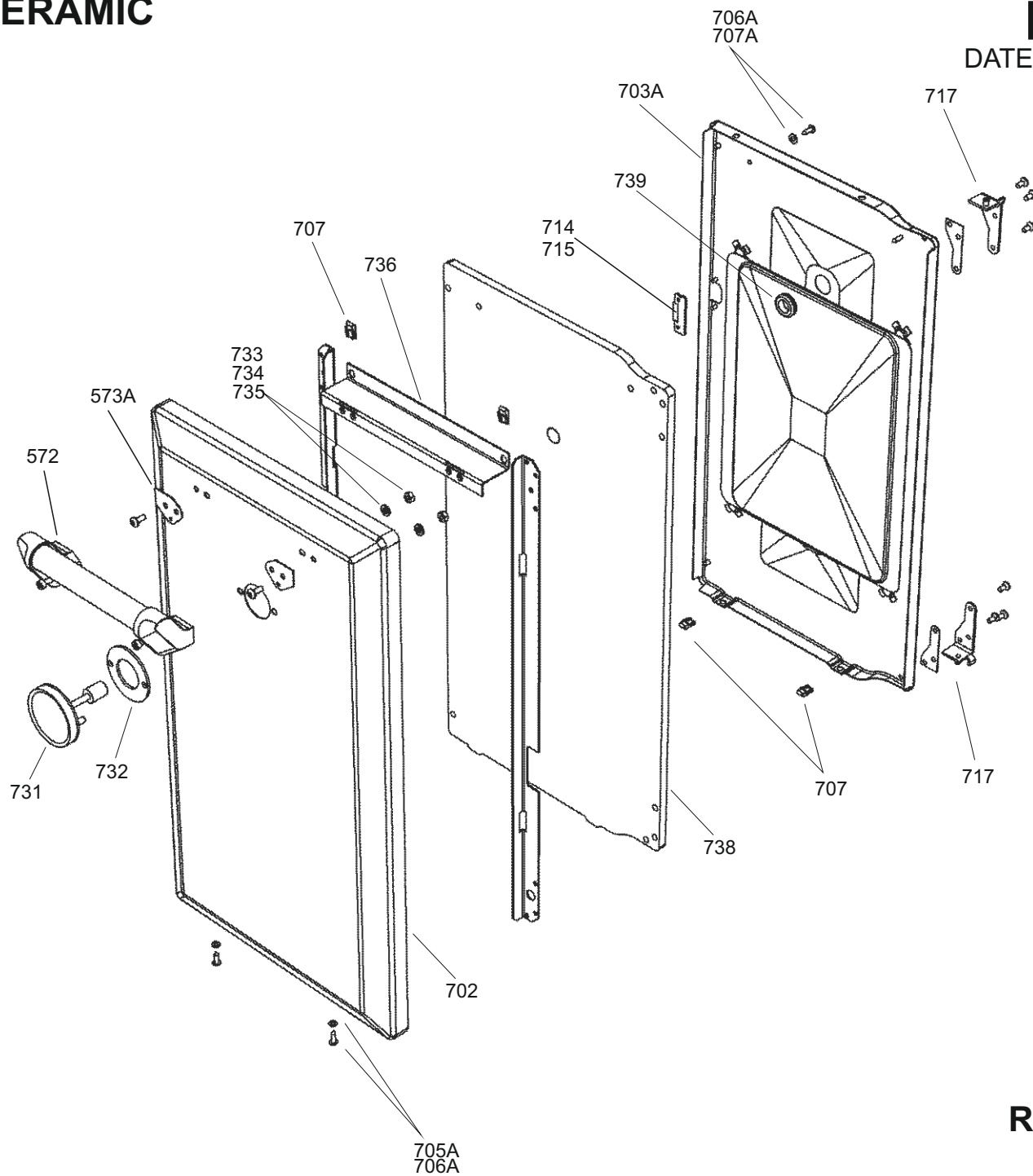
LH OVEN DOOR



# CLASSIC DL 90 CERAMIC

# DSL0326 P07A

DATE 26.04.16 ISSUE STATUS 02



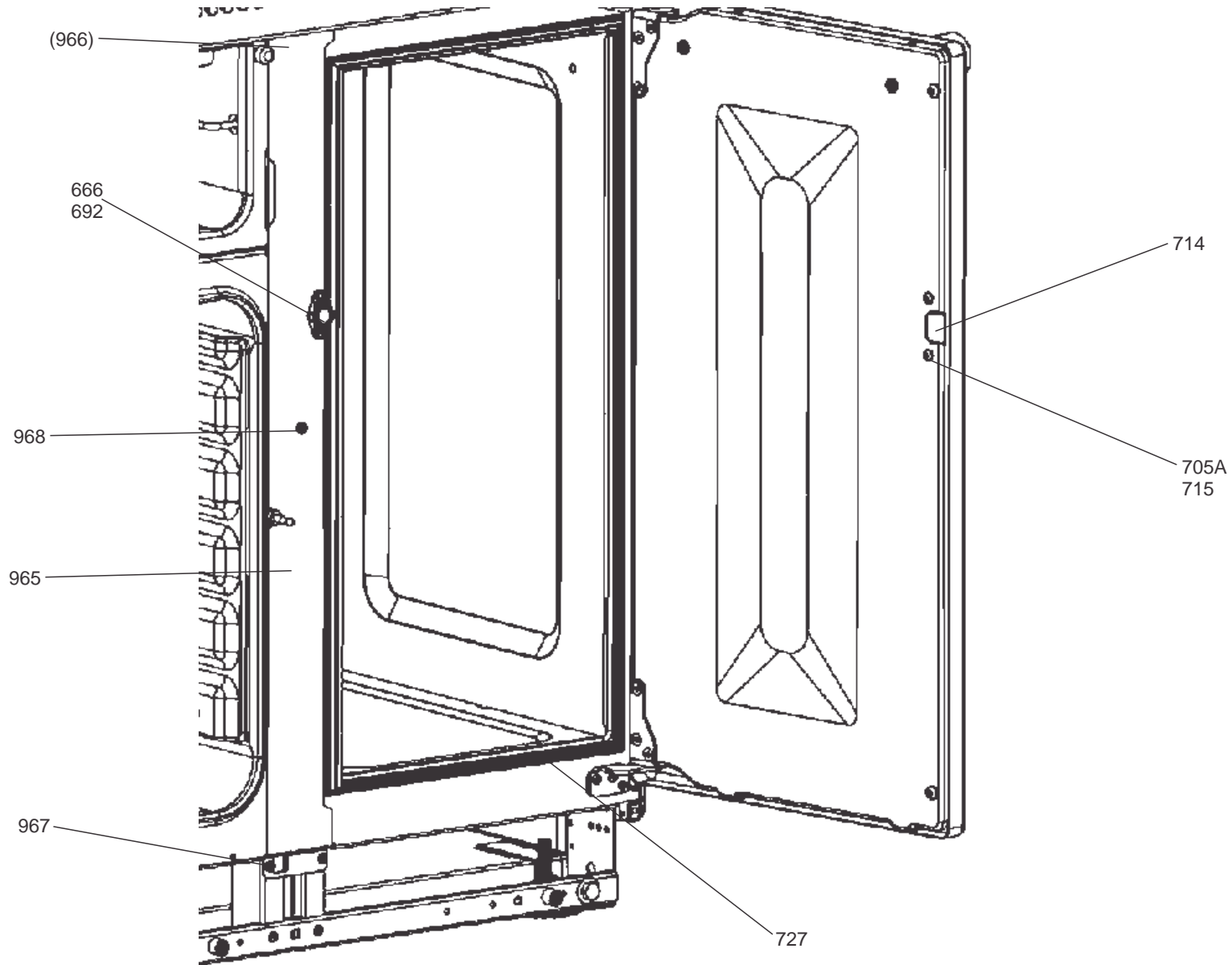
## RH OVEN DOOR



**CLASSIC DL 90 CERAMIC**  
**FROM SERIAL NUMBER 167000**

DATE 26.04.16 ISSUE STATUS 01

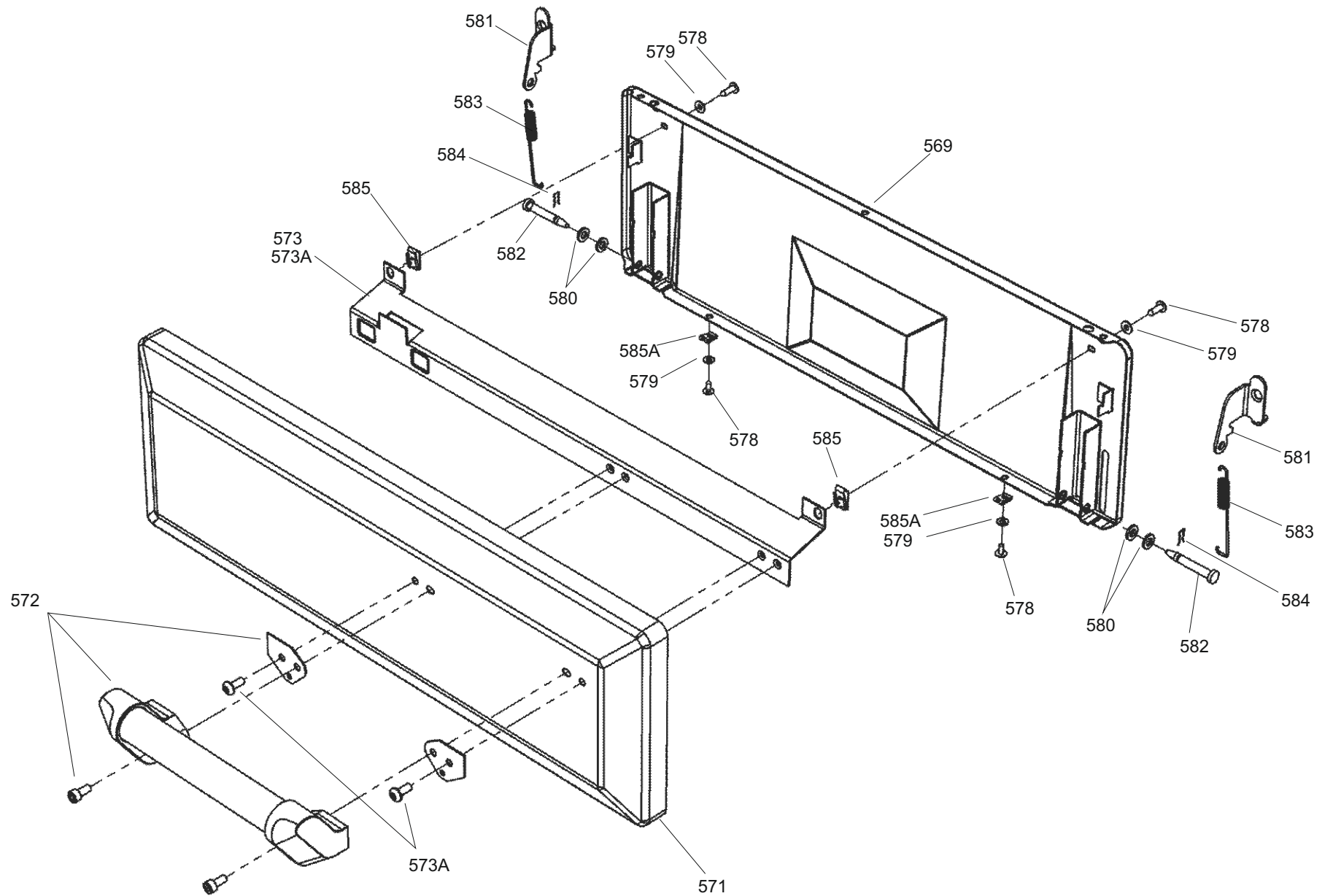
**DSL0326 P07B**



**RH OVEN DOOR AND INFILL**

ALL MODELS

DSL0326 P07C  
DATE 26.06.06 ISSUE STATUS 001

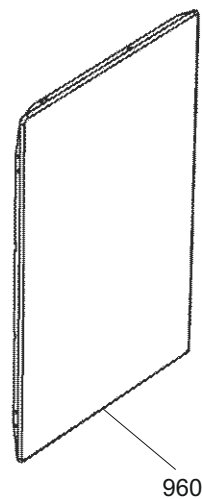
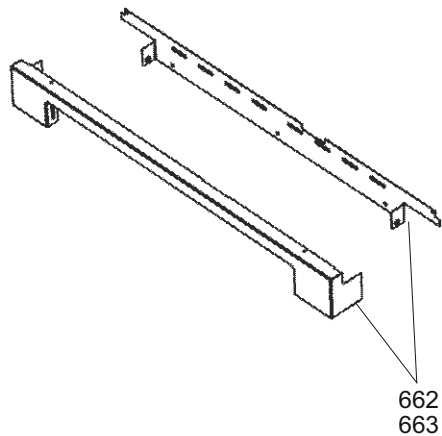
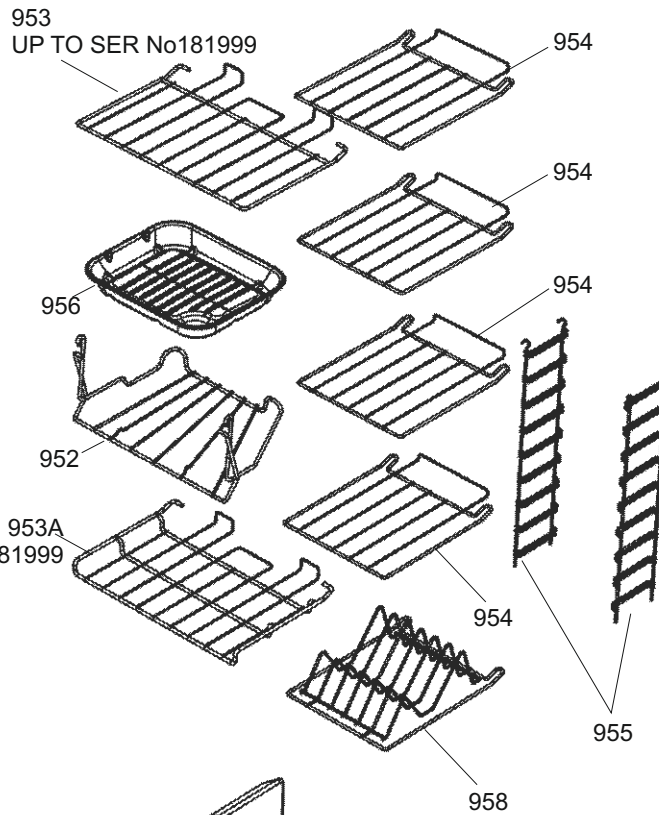
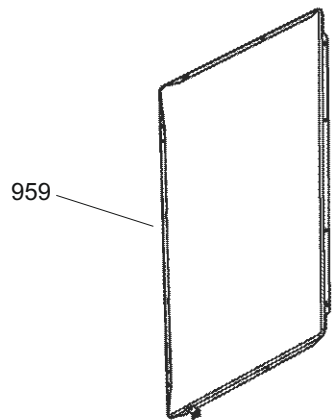
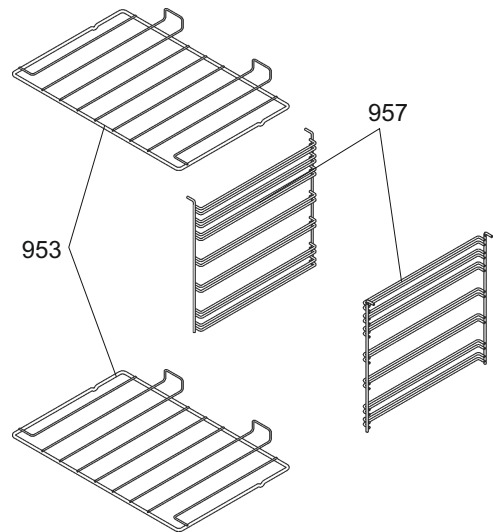


GRILL DOOR

# CLASSIC 90 DL CERAMIC

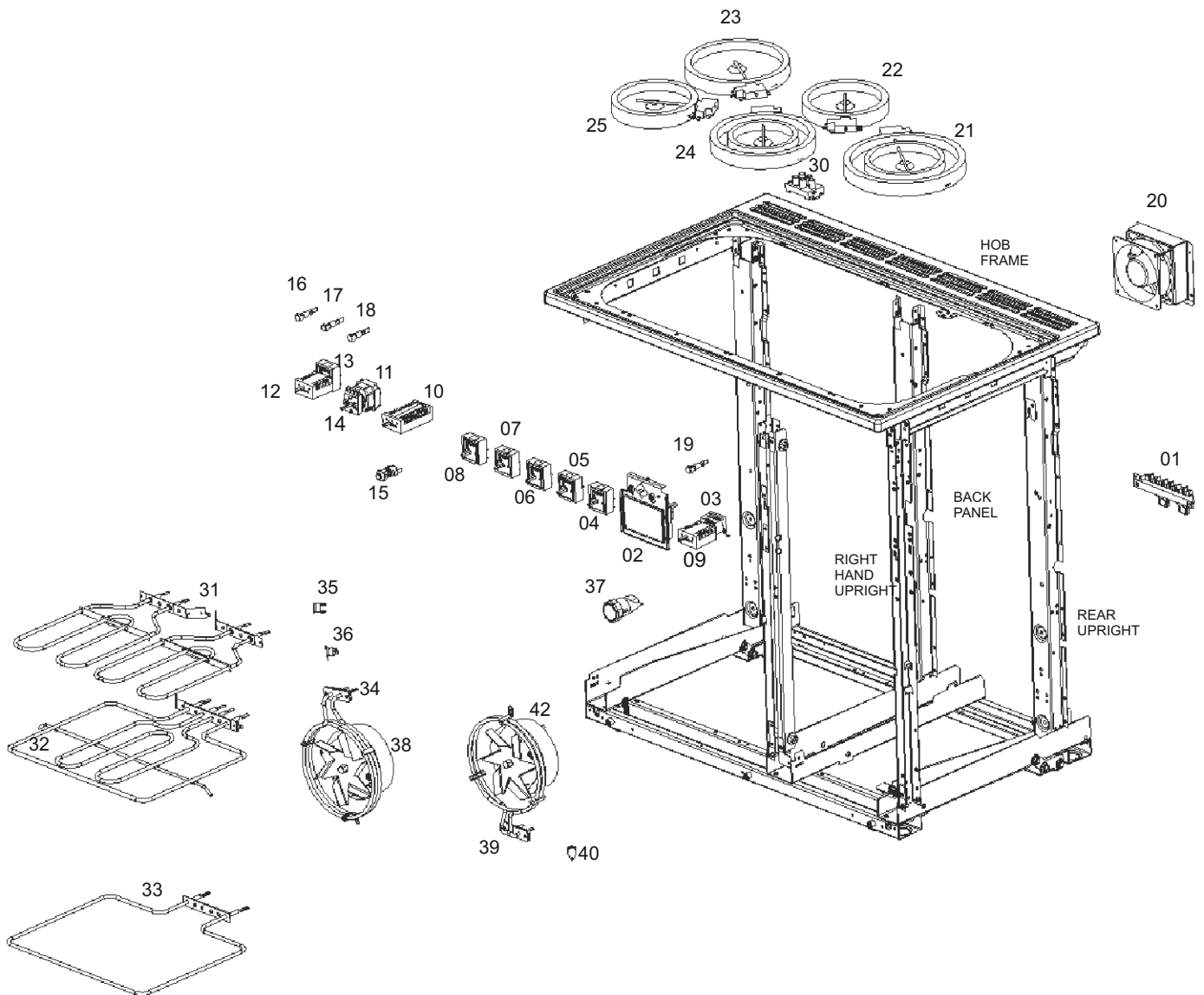
**DSL0326 P08**  
DATE 26.04.16 ISSUE STATUS 02

FROM SERIAL NUMBER 182000



**OVEN ACCESSORIES**





REF	HARNESS	DESCRIPTION	QTY	CONNECTS COMPONENTS			
882	P048082	WIRE LH OVEN MF HARNESS	1	01	10	11	12
883	P045282	WIRE GRILL HARNESS	1	12	31		
852	P038909	RH WIRING HARNESS	1	01	02	03	09
884	P038390	HARNESS DUAL HOB SWITCH SUPPLY	2	04	21		05
853	P037823	SINGLE CIR HOB & SWITCHED NEON HARN	3	06	22		07
854	P037824	NEON SWITCH CIR FROM ENERGY REG	1	04	05	06	07
885	P048575	HOB SUPPLY HARNESS	1	01	04	05	06
886	P048632	YELLOW LINK TIMER LH OVEN SWITCH	1	02	10		
887	P094951	WIRE ASSEMBLY	2	13	14		10
870	P095565	WIRE ASSEMBLY	1	10	11	17	
871	P055344	WIRE ASSEMBLY	2	12		13	
888	P033367	WIRE ASSY VIOLET	1	10	11	18	
869	P038186	LINK (TRIPLE REG / SWITCH)	2	10	13		03

**WIRING DIAGRAM**